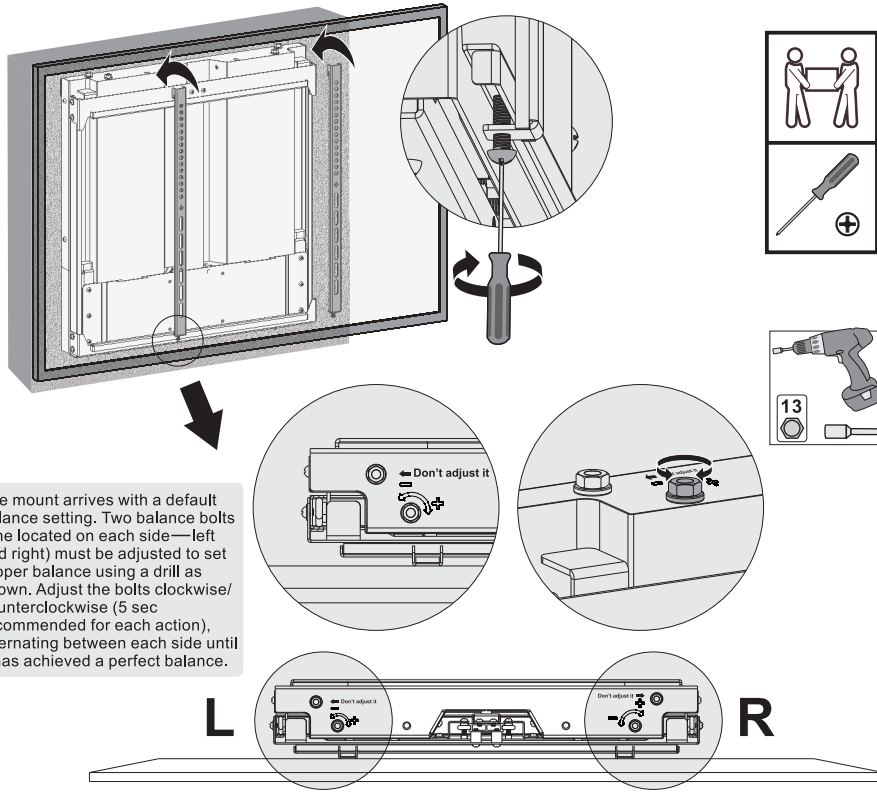


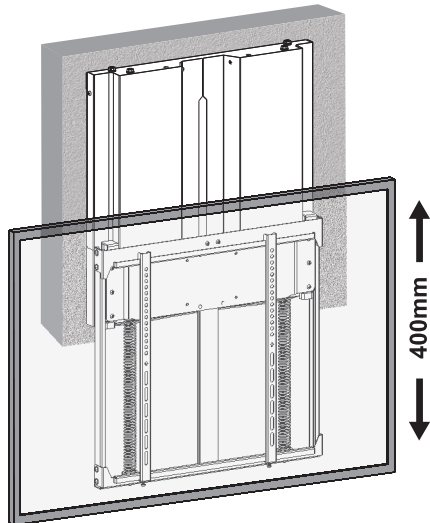
4



The mount arrives with a default balance setting. Two balance bolts (one located on each side—left and right) must be adjusted to set proper balance using a drill as shown. Adjust the bolts clockwise/ counterclockwise (5 sec recommended for each action), alternating between each side until it has achieved a perfect balance.

L R

5



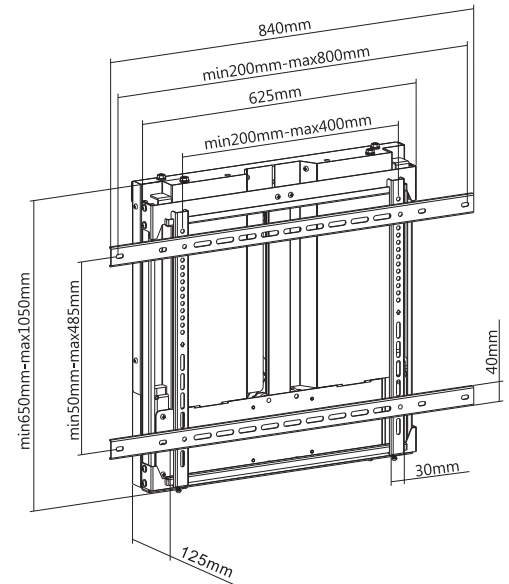
400mm

Installation manual

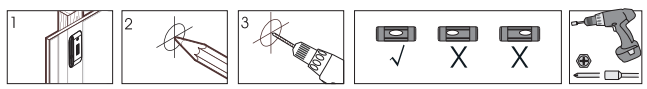
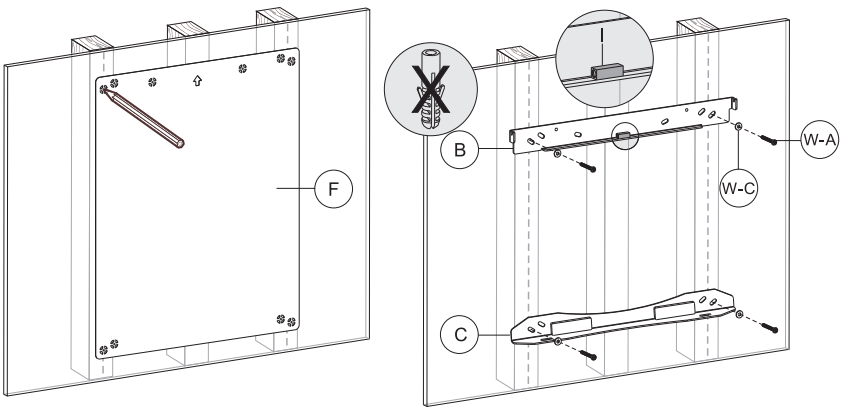
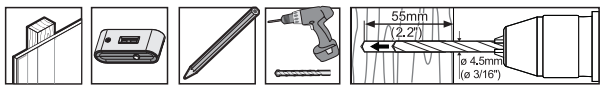
M Counterbalanced Wallmount HD 23-40kg

EAN: 7350105210228

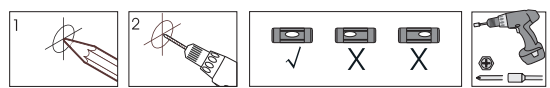
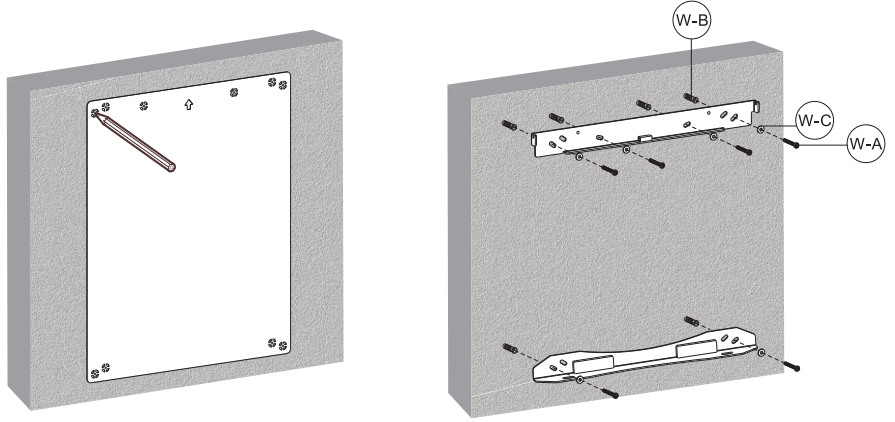
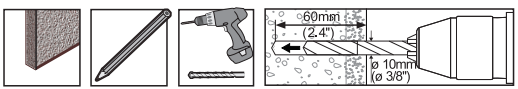
- 🇸🇦 Installation Manual
- 🇸🇦 تثبيت الجداري للريول
- 🇸🇦 Instalační manuál
- 🇸🇦 Installationsmanual
- 🇸🇦 Installationsanleitung
- 🇸🇦 Paigaldusjuhend
- 🇸🇦 Οδηγίες εγκατάστασης
- 🇸🇦 Manual de instalación
- 🇸🇦 Asennusohje
- 🇸🇦 Installation Manuel
- 🇸🇦 הנקמה הירידה
- 🇸🇦 Szerelési kézikönyv
- 🇸🇦 Manuale di installazione
- 🇸🇦 取り付け説明書
- 🇸🇦 설치 설명서
- 🇸🇦 Montavimo instrukcija
- 🇸🇦 Uzstādīšanas rokasgrāmata
- 🇸🇦 Installatie handleiding
- 🇸🇦 Installasjonshåndbok
- 🇸🇦 Instrukcja instalacji
- 🇸🇦 Manual de instalação
- 🇸🇦 Manual de instalare
- 🇸🇦 Инструкция по установке
- 🇸🇦 Inštalčný manuál
- 🇸🇦 Navodila za montažo
- 🇸🇦 Installationsmanual
- 🇸🇦 Montaj kılavuzu
- 🇸🇦 安装手册



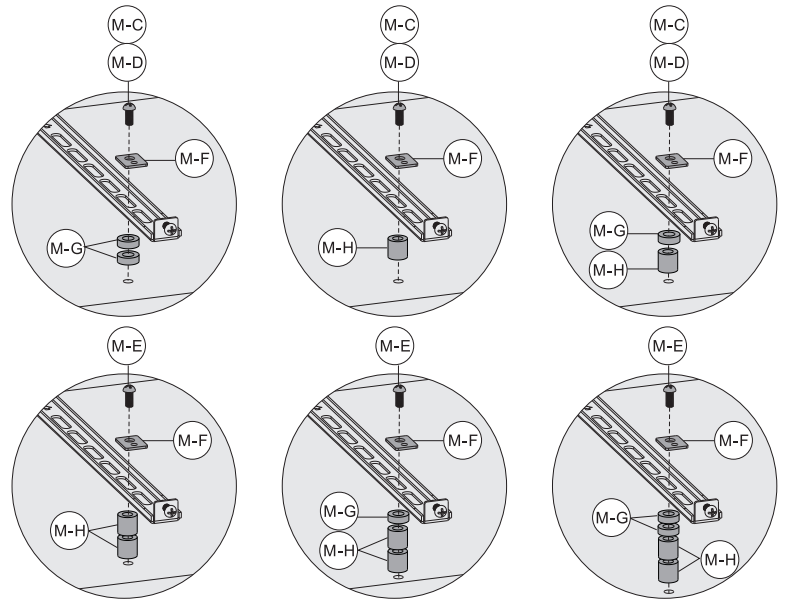
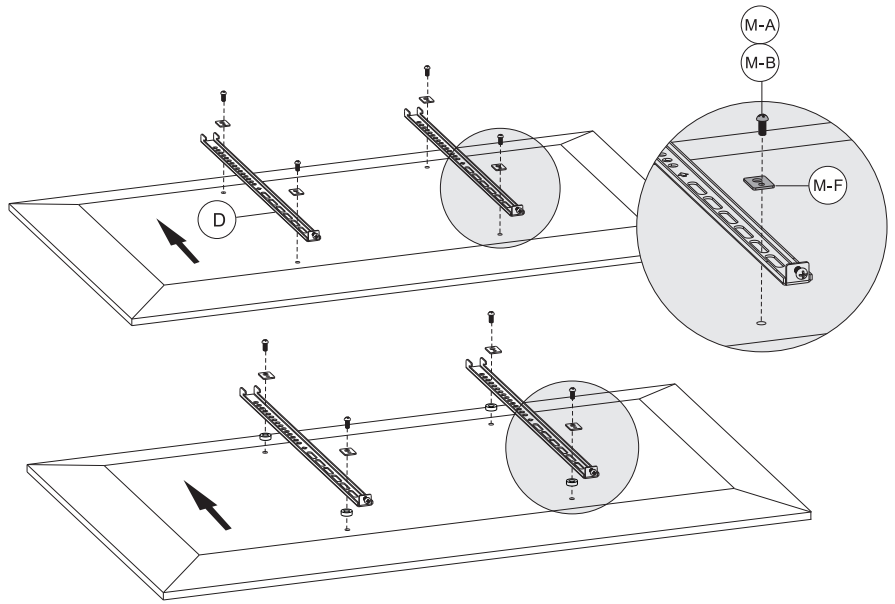
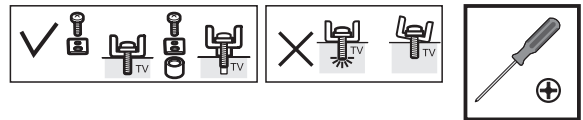
1a



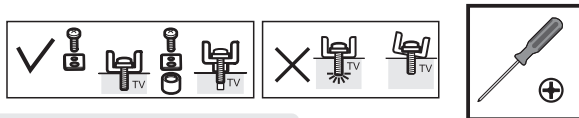
1b



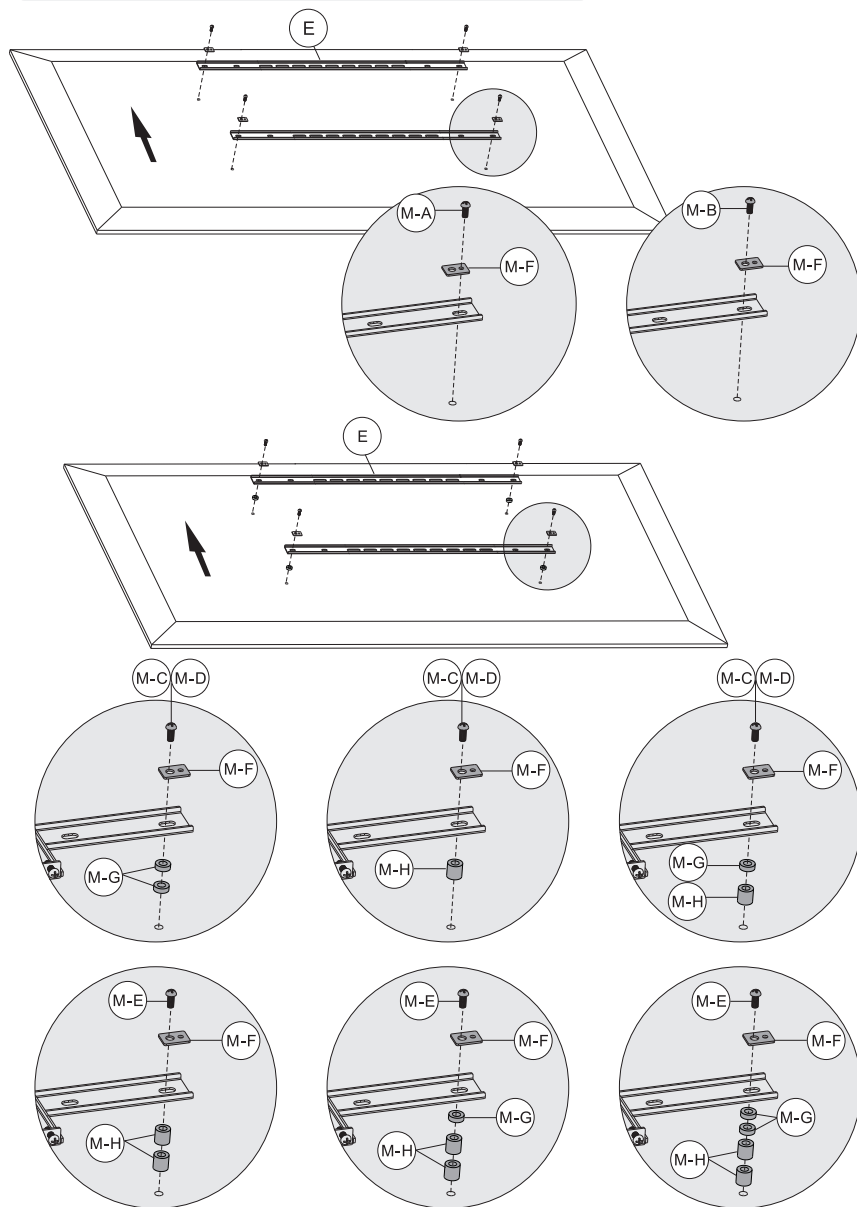
2a



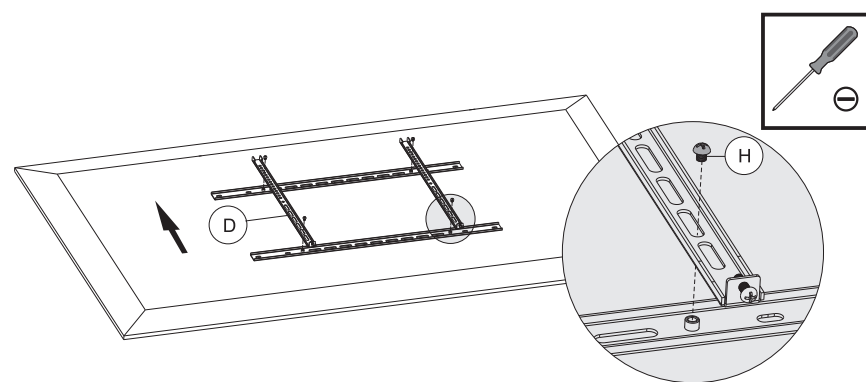
2b-1



Note: The horizontal brackets are used ONLY with interactive smart whiteboard having 600x400 or 800x400 VESA patterns.



2b-2



3

