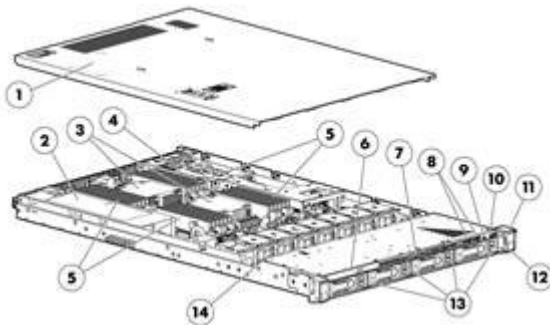


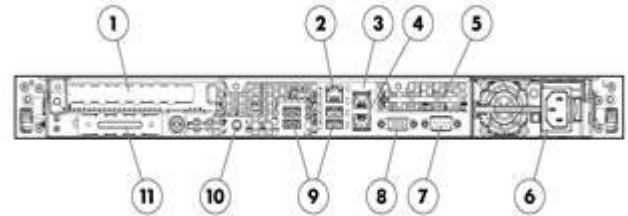
Overview

The HP ProLiant DL160 Gen8 is a dual-socket, high-performance, dense rack server with enhanced manageability and scalability suited for High Performance Computing (HPC) environments, web serving and other hyperscale environments.



Front View:

1. Access panel
2. Power supply (500 Watts multi-output - standard, common slot power supply factory installable options available)
3. Up to two Intel® Xeon® E5-2600 Series processors
4. FlexibleLOM slot
5. Up to 24 DIMM slots: DDR3 Registered (RDIMM), Load Reduced (LRDIMM) or Unbuffered (UDIMM) memory
6. Optical Disk Drive Bay
7. Serial label pull tab
8. (2) Front USB connectors
9. UID LED button
10. Power On/Standby button
11. Health LED
12. Aggregate network LED
13. Up to 4 LFF SAS/ SATA Hard drives
14. Up to seven Non hot plug redundant Fans



Rear View:

1. PCIe 3.0 I/O slot
2. Integrated Lights-Out Management Engine port
3. 1 GbE LAN port for NIC 1 (RJ-45)
4. 1 GbE LAN port for NIC 1 (RJ-45)
5. Torx tool
6. Power supply cable socket
7. Serial connector
8. Video connector
9. USB connectors
10. UID LED button
11. FlexibleLOM slot

What's New

- Support for Support for the HP OneView Software integrated management platform

Standard Features

NOTE: For the Standard Features shipped in the "Factory Integrated Models", please see the "Configuration Information - Factory Integrated Models" section.

Processor

One of the following depending on Model

Eight -Core Processors

Intel® Xeon® E5-2680 (2.7GHz/8-core/20MB/8GT-s QPI/130W, DDR3-1600, HT, Turbo2- 4/4/5/5/5/7/8/8)

Intel® Xeon® E5-2670 (2.6GHz/8-core/20MB/8GT-s QPI/115W, DDR3-1600, HT, Turbo2- 4/4/5/5/6/6/7/7)

Intel® Xeon® E5-2665 (2.4GHz/8-core/20MB/8GT-s QPI/115W, DDR3-1600, HT, Turbo2- 4/4/5/5/6/6/7/7)

Intel® Xeon® E5-2660 (2.2GHz/8-core/20MB/8GT-s QPI/95W, DDR3-1600, HT, Turbo2- 5/5/6/6/7/7/8/8)

Intel® Xeon® E5-2650 (2.0GHz/8-core/20MB/8GT-s QPI/95W, DDR3-1600, HT, Turbo2- 4/4/5/5/5/7/8/8)

Intel® Xeon® E5-2650L (1.8GHz/8-core/20MB/8.0 GT-s QPI/70W, DDR3-1600, HT, Turbo2- 2/2/3/3/4/4/5/5)

Six-Core Processors

Intel® Xeon® E5-2667 (2.9GHz/6-core/15MB/8GT-s QPI/130W, DDR3-1600, HT, Turbo2- 3/3/3/4/5/6)

Intel® Xeon® E5-2640 (2.5GHz/6-core/15MB/7.2GT-s QPI/95W, DDR3-1333, HT, Turbo2- 3/3/4/4/5/5)

Intel® Xeon® E5-2630 (2.3GHz/6-core/15MB/7.2GT-s QPI/95W, DDR3-1333, HT, Turbo2- 3/3/4/4/5/5)

Intel® Xeon® E5-2630L (2.0GHz/6-core/15MB/8.0GT-s QPI/60W, DDR3-1333, HT, Turbo2- 3/3/4/4/5/5)

Intel® Xeon® E5-2620 (2.0GHz/6-core/15MB/7.2GT-s QPI/95W, DDR3-1333, HT, Turbo2- 3/3/4/4/5/5)

Quad- Core Processors

Intel® Xeon® E5-2609 (2.4GHz/4-core/10MB/6.4GT-s QPI/80W)

Intel® Xeon® E5-2603 (1.8GHz/4-core/10MB/6.4GT-s QPI/80W)

NOTE: Up to 2 processors supported.

NOTE: HT indicates that the processor model supports Intel® Hyper-Threading Technology.

NOTE: Turbo 2 indicates the maximum potential bin increments when using Intel® Turbo Boost Technology, with 8, 7,6,5,4,3,2 and 1 cores active DDR3 speed is the maximum memory speed of the processor. Actual memory speed may depend on the quantity and type of DIMMs installed (options for 1600, 1333, 1066MHz).

NOTE: For the Intel® C600 Chipset E5-2600 Series, the letter preceding the model number indicates the Product Line (E3, E5, E7); 2600x v#, 2 = number of CPUs in a Node, 6 is socket/segment designation, 00 = Processor SKU, x = L for low power SKUs and v# (not yet designated) = version number.

Cache Memory

One of the following depending on Model

20MB (1x20MB) Level 3

NOTE: For Eight-core processors.

15MB (1x15MB) Level 3

NOTE: For Six-core processors.

10MB (1x10MB) Level 3

NOTE: For Quad-core processors.

5MB (1x5MB) Level 3

NOTE: For Dual-core processors.

NOTE: All processor models above list the L3 Cache associated with that particular processor.

Standard Features

Chipset

Intel® C600 Chipset

Intel® E5-2600 processor Family

NOTE: For more information regarding Intel® chipsets, please see the following URL:

<http://www.intel.com/products/server/chipsets/>

Upgradeability

Upgradeable to two processors (16 Cores)

Up to 24 DIMM slots available for higher Memory capacity

Up to 8 SFF Hard Drive Bays; Or 4 LFF Drive Bay

2 PCIe Generation 3 IO slots for additional communications and storage expansion

Optical Drive Bay

On System Management

HP iLO (Firmware: HP iLO 4)

Chipset

NOTE: For more information, visit: <http://www.hp.com/go/ilo>.

Memory Protection

Advanced memory protection

Lockstep Mode

Memory

One of the following depending on Model

Type

HP SmartMemory

PC3-10600R Registered DDR3 (1333MHz)

DIMM Slots Available

24 DIMM slots

Standard (Entry Models)

4 GB (1 x 4 GB) RDIMM

Standard (Base Models)

8 GB (2 x 4 GB) RDIMM

Standard (Performance / Energy Star Models)

16 GB (4 x 4 GB) RDIMM

Maximum (RDIMM)

384 GB (24 x 16 GB)

Maximum (LRDIMM)

768 GB (24 x 32 GB)

Maximum (UDIMM)

128 GB (16 x 8 GB)

NOTE: HP memory from previous generation servers are not qualified or warranted with this HP ProLiant Server. HP SmartMemory is required to realize the memory performance improvements and enhanced functionality listed in this document for Gen8. For additional information, please see the HP SmartMemory QuickSpecs at: http://h18000.www1.hp.com/products/quickspecs/14225_div/14225_div.html

NOTE: LRDIMM, RDIMM and UDIMMs are all distinct memory technologies and cannot be mixed within a server. The majority of ProLiant Gen8 servers support RDIMM, UDIMM and LRDIMM.

NOTE: If only one processor is installed, only 12 DIMM slots are available. When populating with two processors 24 DIMM slots are available. For maximum speed on some memory options on 16 DIMM slots may be populated.

NOTE: Depending on the memory configuration and processor model, the memory speed may run at 1600MHz, 1333MHz, or 1066MHz. Please see Memory Population Table or the Online Memory Configuration Tool at: www.hp.com/go/ddr3memory-configurator.

Standard Features

Network Controller HP 361i Integrated Dual Port Gigabit Server Adapter

Expansion Slots #	Technology	Bus Width	Connector Width*	Form Factor	Notes
1	PCIe 3.0	X16	x16	Half length, full height or Full length, full height	
2	PCIe 3.0	X8	x8	Low Profile	Internal only

NOTE: *Indicates the number of physical electrical lanes running to the connector.

NOTE: In order to access expansion slot #2 (the low profile internal only slot), expansion slot #1 may only be populated with a half length, full height form factor card. If full length card is installed on the slot #1, low profile internal only slot will be inaccessible.

HP Server ROM

HP ROM (Read Only Memory) is now digitally signed using HP's Corporate Signing Service. This signature is verified before the flash process starts, reducing accidental programming and preventing malicious efforts to corrupt system ROM.

HP ROM provides for essential initialization and validation of hardware components before control is passed to the customer-installed operating system. The ROM also provides the capability of booting from various fixed media (HDD, CD-ROM) and removable media (USB), to continue operation to the operating system.

HP ROM performs very early configuration of the video controller, to allow monitoring of initialization progress via an attached monitor. If configuration or hardware errors are discovered during this early phase of hardware initialization, suitable messages are now displayed on the connected monitor. Additionally, these configuration or hardware errors are logged to the Integrated Management Log (IML) to assist in diagnosis.

HP's ProLiant ROM is used to configure the following:

- Processor and chipset status registers
- System memory, memory map, and memory initialization
- System hardware configuration (Integrated PCI devices and optional PCIe cards).
- Customer-specific BIOS configuration (using the HP ROM-Based Setup Utility (RBSU).

NOTE: For further information, please refer to HP's RBSU (ROM based setup utility) user guide: <http://www.hp.com/support/rbsu>.

Storage Controller

One of the following depending on Model

Entry Models	HP Dynamic Smart Array B120i controller
Base Models	HP Dynamic Smart Array B120i controller
Performance Models	HP Smart Array P420/1GB FBWC controller

NOTE: Available upgrades: 512MB FBWC for B120i, 2GB FBWC for P420 Controller/ 1GB FBWC controller
NOTE: HP Dynamic Smart Array B120i controller supports up to 3Gb/s speed in HP ProLiant DL160 Gen8. HP Smart Array controller is required in PCIe slot to achieve 6Gb/s.

Standard Features

Internal Storage Devices	Diskette Drives	Via USB only
	Optical Drives	Optional SATA 9.5mm DVD-ROM Optical Drive Optional SATA 9.5mm DVD RW Optical Drive
	Drive Bays One of the following depending on Model	Up to 4 Hot plug SAS/SATA 3.5" drives Up to 8 Hot plug SAS/SATA 2.5" drives

Maximum Internal Storage One of the following depending on Model	Hot Plug LFF SATA	16.0TB	4 x 4TB
	Hot Plug LFF SATA SSD	3.2TB	4 x 800GB
	Hot Plug LFF SAS	16.0TB	4 x 4TB
	Hot Plug SFF SATA	8.0TB	8 x 1TB
	Hot Plug SFF SATA SSD	6.4TB	8 x 800GB
	Hot Plug SFF SAS	9.6TB	8 x 1.2TB
	Hot Plug SAS SSD	6.4TB	8 x 800GB
	Non-Hot Plug LFF SATA	12.0TB	4 x 3TB
	Non-Hot Plug LFF SAS	2.4TB	4 x 600GB

Interfaces	Network RJ-45(Ethernet)	2 NIC ports, 1 dedicated iLO port
	Serial	1 (Rear)
	Pointing Device (Mouse)	0 (via USB only)
	Graphics	2 VGA ports(1 rear, 1 front)
	Keyboard	0 (via USB only)
	USB 2.0 Ports	7 (two front, one internal, four rear)
	NOTE: In order to use internal USB port, the internal USB Cable Gen8 Kit (P/N: 662961-B21) is required. Please note that this is a Factory installable Only (FIO) option and cannot be bought standalone. NOTE: Front Video Graphic Adapter Kit (PN 655915-B21) is required for enabling front VGA port.	

Industry Standard Compliance	ACPI 2.0 Compliant
	PCIe 3.0 Compliant
	PXE Support
	WOL Support
	Microsoft® Logo certifications
	IPMI 2.0, SMASH CLP, DCMI 1.0 compliant
	USB 2.0 Support

Standard Features

Server Power Cords

One 6' Highline (IEC-IEC) power cord ships standard

NOTE: HP ProLiant DL servers no longer ship standard with a 12-foot NEMA 5-15P to C13 power cords that allow connection to 110V US wall outlets in a home or office. HP ProLiant DL servers are primarily connected to PDU's in data center racks and now ship standard with only a PDU 6-foot C-14 to C13 power cord (142258-001). If a user wishes to power a ProLiant DL server using a 110V receptacle (NEMA-15), the 12-foot NEMA 5-15 to C13 power cord.

If customers require a local power cord, they can check the power cord matrix for the appropriate cord. Please see the following power cord matrix: <http://www.hp.com/go/powercordmatrix>.

Power Specifications

To review typical system power ratings, use the HP Power Advisor tool available at URL: www.hp.com/go/proliant-energy-efficient or www.hp.com/go/hppoweradvisor.

NOTE: Power Specification and Technical Content for supported power supplies can be found at: http://h18000.www1.hp.com/products/quickspecs/14209_div/14209_div.html

Common Slot Power Supplies

HP's Common Slot (CS) power supplies allow for commonality of power supplies across a wide range of ProLiant and Integrity servers, as well as HP Storage solutions, and are designed to provide the highest power supply efficiency without degrading system performance. HP CS power supplies are tested by the Electric Power Research Institute (EPRI) and certified through the ECOS 80 Plus power supply program. HP CS power supply options provide efficiency ratings of up to 94% and are available in three power output options - 460W, 750W and 1200W - allowing the customer to "right-size" a power supply for their specific server configuration. All HP Common Slot power sources are UL, CE Mark Compliant, hot-plug and support redundant configurations.

HP CS Platinum Plus power supplies are required when enabling HP's Intelligent Power Discovery (IPD) solution. IPD is the first technology to create an automated, energy-aware network between IT systems and facilities. This allows your company to reclaim millions of dollars in wasted power capacity and downtime costs across data centers. For more information on HP's IPD solution, go to www.hp.com/go/ipd.

NOTE: It is highly recommended that you use the HP Power Advisor in defining the "Right-Size" power supply for your needs. HP Power Advisor can be accessed at: www.hp.com/go/hppoweradvisor.

NOTE: The 80 PLUS program is a unique forum that unites electric utilities, the computer industry, and consumers in an effort to bring energy efficient technology solutions to the marketplace. 80 Plus independently tests power supply efficiency and publicly posts the results on 80Plus.org.

NOTE: Common Slot power supplies require a new power backplane kit (p/n: 662959-B21) for installation. The Common Slot power supply and power backplane kits must be factory installed - neither should be bought as a standalone option for HP ProLiant DL160 Gen8.

NOTE: 10GbE FlexibleLOM mandatorily need common slot power supply and are not supported with 500W multi-output power supply. These FlexibleLOM options require Aux power connector that comes with the common slot power supply. Please see the options section for specific details.

NOTE: Since DL160 Gen8 only has only one power supply slot, above mentioned power supplies will not be Hot Plug in case of DL160 Gen8.

NOTE: Power Specification and Technical Content for supported power supplies can be found at: http://h18000.www1.hp.com/products/quickspecs/14209_div/14209_div.html

Standard Features

System Fans

One of the following depending on Model

5 non-hot plug redundant fans ship standard in 1P models

7 non-hot plug redundant fans ship standard in 2P models

NOTE: The processor option kit contains two additional fan modules when upgrading from one processor to two processor models.

Required Cabling

For required cabling information, refer to the Web site at: www.hp.com/servers/dl160 Gen8

Operating Systems and Virtualization Software Support for ProLiant Servers

[Microsoft Windows Server](#)

[Oracle Solaris](#)

[Red Hat Enterprise Linux \(RHEL\)](#)

[SUSE Linux Enterprise Server \(SLES\)](#)

[VMware](#)

NOTE: For more information on HP's Certified and Supported ProLiant Servers for OS and Virtualization Software and latest listing of software drivers available for your server, please visit our Support Matrix at: <http://www.hp.com/go/ossupport> and our driver download page <http://www.hp.com/support/DL160cGen8>.

Graphics

Integrated Matrox G200 video standard

- 1280 x 1024 (32 bpp)
- 1920 x 1200 (16 bpp)

HP iLO 4 On System Management Memory

- 16 MB Flash
 - 256 MB DDR 3 with ECC (112 MB after ECC and video)
-

Form Factor

One of the following depending on Model

Rack (1U), (1.75 in/4.45 cm)

8 SFF Models

1.7" (43.2mm) Height x 17.1" (434.6mm) Width x 27.5" (699mm) Length

4 LFF Models

1.7" (43.18mm) Height x 17.11" (434.6mm) Width x 29.5" (750mm) Length

On System Management**HP iLO Management Engine**

HP iLO Management Engine is a complete set of embedded management features supporting the complete lifecycle of the server, from initial deployment, through ongoing management, to service alerting and remote support. HP iLO Management Engine comes standard on all HP ProLiant Gen8 Servers. HP iLO Management Engine portfolio includes:

- **HP iLO:** The HP iLO management processor is the core foundation for HP iLO Management Engine. HP iLO for HP ProLiant servers simplify server setup, engage health monitoring and power and thermal control, and promote remote administration for HP ProLiant ML, DL, BL and SL servers. Furthermore with the new HP iLO is the ability to access,
-

Standard Features

deploy, and manage your server anytime from anywhere with your Smartphone device.

- **HP Agentless Management:** With HP iLO Management Engine in every HP ProLiant Gen8 server, the base hardware monitoring and alerting capability is built into the system (running on the HP iLO chipset) and starts working the moment that a power cord and an Ethernet cable is connected to the server.
- **HP Active Health System:** HP Active Health System is an essential component of the HP iLO Management Engine. It provides: Diagnostics tools/scanners wrapped into one; Always on, continuous monitoring for increased stability and shorter downtimes; Rich configuration history; Health and service alerts; Easy export and upload to Service and Support.
- **HP Active Health System:** HP Active Health System is an essential component of the HP iLO Management Engine. It provides customers with: Diagnostics tools/scanners wrapped into one; Always on, continuous monitoring for increased stability and shorter downtimes; Rich configuration history; Health and service alerts; Easy export and upload to Service and Support.
- **HP Intelligent Provisioning:** HP Intelligent Provisioning includes everything you need for painless system setup and deployment. All your HP Gen8 ProLiant servers and Gen8 ProLiant server blades are ready to set-up right out-of-the box. The firmware, drivers, and tools that you need to quickly get your systems online are embedded on a NAND flash chip on the server motherboard- no more SmartStart CDs or firmware DVDs needed. Intelligent Provisioning is agentless for improved performance, but you still have the ability to run agents if needed.
 - To start Intelligent Provisioning:
 - Press the F10 key during the ProLiant Gen8 server boot process (also known as power on self test or POST).
 - Please go to the Intelligent Provisioning website at www.hp.com/go/intelligentprovisioning for additional information and to view usage videos.
 - Use the Service Pack for ProLiant (SPP) at www.hp.com/go/spp to get firmware and software updates.

NOTE: For more information, visit: <http://www.hp.com/go/ilo>

Standard Features

HP Insight management software

HP Service Pack for ProLiant (SPP)

HP Service Pack for ProLiant (SPP) and HP Smart Update Manager (HP SUM) version 5 provide a new, comprehensive approach to firmware and system software maintenance. Together they provide better operating stability and ensure maximum uptime. The SPP will be updated at a predictable cadence, typically coinciding with new HP server hardware launches. By enabling all firmware to be updated online and integrating firmware and system software updates in one operation HP SUM and the SPP offer faster updates of individual servers and dramatically faster updates of entire BladeSystem enclosures. Further improving system uptime and stability is the fact that HP provides 12 months of support on each Service Pack for ProLiant.

The user experience around HP SUM and the SPP has been improved in several ways, starting with the web download. A single web page provides access to a single download containing both the latest version of HP SUM version 5 and the latest SPP. Optional smaller subsets with only specific types of servers or specific operating systems are offered to save on download time. The HP SUM application has been re-written to provide a more straightforward, intuitive user interface that guides the user through the steps of discovery, analyses and update, providing comprehensive information on available updates, criticality and interdependencies. This information is also available in reports. By providing the option of multiple local or shared repositories which can be easily updated from hp.com, HP SUM provides the tools to optimize stability and consistency throughout the company. While HP SUM and the SPP will recommend the combinations of firmware and system software that HP has found to be the best practice, the application gives customers the flexibility to set their own specific baseline.

The Service Pack for ProLiant has been rigorously tested with specific attention for interaction between firmware, drivers and agents both within the server as well as in interaction with the BladeSystem enclosure components (Onboard Administrator and Virtual Connect). This testing ensures the highest quality as well as providing the input for HP SUM to deploy updates taking into account all interdependencies, when determining the correct updates and order of update deployment.

NOTE: The Service Pack for ProLiant (which includes HP SUM 5) can be downloaded from www.hp.com/go/spp/download. More information can be found: www.hp.com/go/spp and <http://www.hp.com/go/hpsum>

Security

Power-on password
Setup password
Diskette boot control
Secure Sockets Layer (SSL)
Secure Shell (SSH)

Standard Features

Warranty

This product is covered by a global limited warranty and supported by HP Services and a worldwide network of HP Authorized Channel Partners. Hardware diagnostic support and parts replacement is available for three years from date of purchase. Support for software and initial setup is available for 90 days from date of purchase. Enhancements to warranty services are available through HP Care Pack services or customized service agreements. Hard drives have either a one year or three year warranty; refer to the specific hard drive QuickSpecs for details.

NOTE: Server Warranty includes 3 year Next Day Parts replacement, 0-Years Labor, 0-Years Onsite support (3-1-1 warranty in APJ). Additional information regarding worldwide limited warranty and technical support is available at:

<http://h18004.www1.hp.com/products/servers/platforms/warranty/index.html>.

Optional Features

HP Insight management software

HP Insight Control

HP Insight Control, a product option, delivers essential infrastructure management that can help save time and money by making it easy to deploy, migrate, monitor, remote control, and optimize your IT infrastructure through a single, simple management console. For more information, visit : www.hp.com/go/insightcontrol.

HP Insight Control includes one year of 24 x 7 HP Software Technical Support and Update Service ensuring rapid access to HP support staff and proactive delivery of software updates. For more information about this service, please visit: <http://www.hp.com/services/insight>.

NOTE: HP Insight Control 7.2 introduces Insight Control server provisioning, a new capability ideal for multi-server OS and firmware provisioning to ProLiant and BladeSystem servers. Insight Control server provisioning is included and licensed as part of HP Insight Control. A media kit, "HP Insight Control server provisioning USB media kit" (# BD883A), including a USB, is available for customers who require a physical copy of the media loaded with Insight Control server provisioning software. Please note that this media kit is separate and in addition to the "HP Insight Management DVD media kit" (#C6N31A).

HP Matrix Operating Environment

The HP Matrix Operating Environment (Matrix OE) for ProLiant and Integrity servers is an integrated command center that helps you instantly adjust to dynamic business demands. This advanced infrastructure management software lets you reduce the cost of common data center tasks by up to 40 percent while keeping pace with your changing business.

The HP Matrix OE includes the automated provisioning, optimization, and recovery management capabilities for HP CloudSystem Matrix, the ideal platform for private cloud and Infrastructure as a Service (IaaS).

NOTE: For more information, visit: <http://www.hp.com/go/matrixoe>

HP iLO Scale-Out

The HP iLO Scale-Out license ideal for web/hosting/cloud service providers and High Performance Computing environments. This license is a specific subset of iLO Advanced functionality, provides fast remote access through Text Console via SSH, lower operational cost with Dynamic power capping, and faster time to resolution through Email-based Alerting and proactive notifications. With this newly designed HP iLO Scale-Out HPC customers now have a server management package solely design and priced for their massive data environments. HP iLO Scale-Out is available on all HP ProLiant Gen8 SL and BL and DL 160 servers. For more information, see: <http://www.hp.com/go/iLO/scale-out>

HP iLO Advanced

HP Integrated Lights-Out Advanced License a product option, providing smart remote server management without compromise. iLO Advanced unlocks the full set of remote administration functionality for all HP ProLiant servers by activating the full Virtual Keyboard Video and Mouse remote console, multi-user collaboration, console record and replay, GUI-based and scripted virtual media and virtual folders, and enhanced security and power management functionality. For more information, see: <http://www.hp.com/go/iLOadvance>

Optional Features

HP OneView

The HP OneView architecture combines server, storage, and networking with control of datacenter environmentals into a single, integrated management platform. Architected to deliver lifecycle management for the complete Converged Infrastructure, it facilitates collaboration, removes friction, collapses cycle times, eliminates error-prone work, and accelerates time to value. HP OneView v1.0 combines management of servers and virtual connect with open integration to automate and customize existing tools and processes. With OneView, you'll work smarter—with greater visibility and control—and fully capitalize on the benefits of a Converged Infrastructure.

For more information on HP OneView management, see: <http://www.hp.com/go/oneview>.

High Performance Clusters

HP Cluster Platforms

HP Cluster Platforms are specifically engineered, factory-integrated large-scale ProLiant clusters optimized for High Performance Computing, with a choice of servers, networks and software. Operating system options include specially priced offerings for Red Hat Enterprise Linux and SUSE Linux Enterprise Server, as well as Microsoft Windows HPC Server. A Cluster Platform Configurator simplifies ordering. <http://www.hp.com/go/clusters>

HP HPC Interconnects

High Performance Computing (HPC) interconnect technologies are available for this server as part of the HP Cluster Platform portfolio. These high-speed InfiniBand and Gigabit interconnects are fully supported by HP when integrated within an HP cluster. Flexible, validated solutions can be defined with the help of configuration tools.

<http://www.hp.com/techservers/clusters/ucp/index.html>

HP Insight Cluster Management Utility

HP Insight Cluster Management Utility (CMU) is an HP-licensed and HP-supported suite of tools that are used for lifecycle management of hyperscale clusters of Linux ProLiant systems. CMU includes software for the centralized provisioning, management and monitoring of nodes. CMU makes the administration of clusters user friendly, efficient, and effective.

<http://www.hp.com/go/cmu>

Storage Software

Whether you need to solve a specific data protection, archiving, or storage command and control challenge, or deliver on strategic consolidation, compliance, or continuity initiatives, look no further than HP storage software. Our storage software helps you reduce costs, simplify storage infrastructure, protect vital assets and respond faster to business opportunities.

Storage software that gets the job done:

- **Data Protection and Recovery Software**

Whether you're a large enterprise or a smaller business, HP data protection and recovery software will cost-effectively protect you against disaster and ensure business continuity.

- **Data Archive and Migration Software**

HP's storage software enables you to comply with data retention and retrieval requirements, improve application performance, and reduce costs by efficiently migrating infrequently accessed or less valuable data to lower cost storage.

- **Storage Resource Management Software (SRM)**

HP's storage resource management software reduces operational costs and provides the command and control foundation you need to efficiently manage and visualize your physical and virtual environments.

- **Data Replication Software**

HP offers array-based and host-based replication software for use in disaster recovery, testing,

Optional Features

application development and reporting.

- **Storage Device Management Software**

Maximize your investment in HP storage and networking with software that enables hardware-specific configuration, performance tuning and connectivity management.

- **HP StoreVirtual VSA**

With HP StoreVirtual VSA you can use the power of virtualization to turn a set of heterogeneous and disconnected physical disk drives in your servers and storage devices into a single pool of logical storage capacity.

NOTE: For more information available Storage Software including QuickSpecs, please see: www.hp.com/go/storage/software.

HP Insight Online

HP Insight Online is a new addition to the HP Support Center for one stop, secure access to product and HP support information personalized to your IT environment. Insight Online can automatically display devices remotely monitored by HP Insight Remote Support. With Insight Online's easy navigation you can efficiently track your IT support contracts and device status from anywhere and at anytime.

www.hp.com/go/insightonline

Factory Express Portfolio for Servers and Storage

HP Factory Express offers configuration, customization, integration and deployment services for HP servers and storage products. Customers can choose how their factory solutions are built, tested, integrated, shipped and deployed.

Factory Express offers service packages for simple configuration, racking, installation, complex configuration and design services as well as individual factory services, such as image loading, asset tagging, and custom packaging. HP products supported through Factory Express include a wide array of servers and storage: HP Integrity, HP ProLiant, HP ProLiant Server Blades, HP BladeSystem, HP 9000 servers as well as the MSAxxxx, VA7xxx, EVA, XP, rackable tape libraries and configurable network switches.

For more information on Factory Express services for your specific server model please contact your sales representative or go to: <http://www.hp.com/go/factory-express>.

HP Simple Configurator

SCE is a guided self service tool to help sales and non technical people provide customers with initial configurations in 3 to 5 minutes. You may then send the configuration on for configuration help, or use in your existing ordering processes. If you require "custom" rack configuration or configuration for products not available in SCE, please contact HP's Customer Business Center or an Authorized Partner for assistance. <http://www.hp.com/products/configurator>

Service and Support

Service and Support

HP Technology Services for Industry Standard Servers and BladeSystem

Capitalizing on HP ProLiant server and HP BladeSystem capabilities requires a service partner who understands your increasingly complex business technology environment. That's why it makes sense to team up with the people who know HP infrastructure hardware and software best - the experienced professionals at HP Services.

What HP ProLiant and BladeSystem Services can do for you

HP ProLiant and BladeSystem Services can help you design, deploy, test, integrate, support, and manage IT and infrastructure solutions. This way, HP proposes services solutions that include more than just uplift of base warranty. Foundation Care services portfolio consists of scalable, reactive support services for HP industry-standard servers and software. New to this portfolio is HP Collaborative Support. If you are running business critical environments, HP offers Proactive Care. These services help deliver high levels of application availability through proactive service management and advanced technical response.

You can get the support you need by choosing from one of a number of service packaged solutions we have designed to address wider set of customer support needs.

HP Technology Services meets business challenges with services offered in three support recommendations - **Optimized Care, Standard Care, and Basic Care** - available for each product group. Such support solutions enable customers to optimize technology operations, minimize risk and drive better business outcomes with easy-to-buy, easy-to-use scalable support recommendations for servers, storage, networking and software.

All three service recommendations include support services from the broader portfolio of Foundation Care and Proactive Care services.

Optimized Care Package Supports maintaining servers at optimum performance availability

HP ProLiant Server Hardware Installation

Provides for the basic hardware installation of HP branded servers, storage devices and networking options to assist you in bringing your new hardware into operation in a timely and professional manner <http://h20195.www2.hp.com/V2/GetPDF.aspx/5981-9356EN.pdf>

3-Year HP 24x7 4 hour Response, Proactive Care

Helps optimize your systems and delivers high levels of application availability through proactive service management and advanced technical response. A skilled Technical Manager will own your query or issue end to end until resolved, delivering a single point of contact for you.

Additional Services: Software OS (Microsoft, Linux (SUSE/Red Hat)) Installation and Start Up and Software Support plus Microsoft or Linux education courses +30 Proactive Select Credits, Factory Express.

Service and Support

Standard Care Package **Support recommendation that maintains high level of server availability**
HP ProLiant Server Hardware Installation

Provides for the basic hardware installation of HP branded servers, storage devices and networking options to assist you in bringing your new hardware into operation in a timely and professional manner.

<http://h20195.www2.hp.com/V2/GetPDF.aspx/5981-9356EN.pdf>

3-Year HP 24x7 4 hour Response, Collaborative Support

Provides problem resolution support across the stack of HW, firmware, and HP and 3rd party SW. In case the issue is with 3rd party SW, HP does known issue resolution. If HP cannot solve the issue, it will contact the third-party vendor and create a problem incident on your behalf.

<http://h20195.www2.hp.com/V2/GetPDF.aspx/4AA3-8232ENW.pdf>

Additional Services: Software support service with 24X7 availability with a 2 hour response, Training courses on Microsoft, Linux (Red Hat and SUSE), VMware, and HP Insight Software, +60 Proactive Select Credits, Factory Express.

<http://www8.hp.com/us/en/business-services/it-ervices.html?compURI=1078865>

Basic Care Package **Delivers minimum recommended support service level**

HP ProLiant Server Hardware Installation

Provides for the basic hardware installation of HP branded servers, storage devices and networking options to assist you in bringing your new hardware into operation in a timely and professional manner.

<http://h20195.www2.hp.com/V2/GetPDF.aspx/5981-9356EN.pdf>

3-Year HP 24x7 4 hour Response, Hardware Support Onsite Service

Provides you with rapid remote support and if required an HP authorized representative who will arrive on site any time and day of the year to begin hardware maintenance service within 4 hours of the service request being logged

<http://h20195.www2.hp.com/V2/GetPDF.aspx/5982-6547EEE.pdf>

Additional Services: Software OS (Microsoft, Linux (SUSE/Red Hat)) Installation and Start Up and Software Support, Factory Express.

Insight Remote Support Provides 24 X 7 remote monitoring, proactive notifications, and problem resolution. Learn more

<http://www.hp.com/go/insightremotesupport>

HP Support Center

Personalized online support portal with access to information, tools and experts to support HP business products. Submit support cases online, chat with HP experts, access support resources or collaborate with peers. Learn more <http://www.hp.com/go/hpsc>

HP's Support Center Mobile App* allows you to resolve issues yourself or quickly connect to an agent for live support. Now, you can get access to personalized IT support anywhere, anytime.

HP Insight Remote Support and HP Support Center are available at no additional cost with a HP warranty, HP Care Pack or HP contractual support agreement.

*HP' Support Center Mobile App is subject to local availability.

Service and Support

Warranty / Service Coverage

For ProLiant servers and storage systems, the services cover HP-branded hardware options qualified for the server, purchased at the same time or afterward, internal to the enclosure, as well as external monitors up to 22" and tower UPS products; these items will be covered at the same service level and for the same coverage period as the server unless the maximum supported lifetime and/or the maximum usage limitation has been exceeded. Coverage of the UPS battery is not included; standard warranty terms and conditions apply.

The defective media retention service feature option applies only to Disk or eligible SSD/Flash Drives replaced by HP due to malfunction. It does not apply to any exchange of Disk or SSD/Flash Drives that have not failed. SSD/Flash Drives that are specified by HP as consumable parts and/or that have exceeded maximum supported lifetime and/or the maximum usage limit as set forth in the manufacturer's operating manual or the technical data sheet are not eligible for the defective media retention service feature option.

For more information

To learn more on HP ProLiant servers and HP BladeSystem servers, please contact your HP sales representative or HP Authorized Channel Partner. Or visit: <http://www.hp.com/services/proliant>

Pre-configured Models

NOTE: For the Standard Features shipped in the "Factory Integrated Models", please see the "Configuration Information - Factory Integrated Models" section.

NOTE: Pre-configured models ship with the configurations below. Options can be selected from the Core or Additional options section of this QuickSpecs.

NOTE: HP does not allow factory integration of options into pre-configured models. Any additional options purchased will be shipped separately.

NOTE: If you desire a custom configuration please see "Configuration Information - Factory Integrated Models" section of this QuickSpecs.

NOTE: All Pre-configured Models come populated with some hard drive blanks installed. Should the customer need additional hard drive blanks, they can order more using either P/N 666987-B21: HP SFF Gen8 Hard Drive Blank Kit or P/N 666986-B21: HP LFF Gen8 Hard Drive Blank Kit.

NOTE: Not all models are available in all regions. Check with your local country HP offices for availability.

Entry Model

<p>HP ProLiant DL160 Gen8 E5-2603 1P 4GB-R SATA 4 LFF 500W PS Entry Server 662082-xx1</p>	<p>Processor(s)</p> <p>Cache Memory</p> <p>Memory</p> <p>Network Controller</p> <p>Storage Controller</p> <p>Hard Drive</p> <p>Internal Storage</p> <p>Optical Drive</p> <p>Power Supply</p> <p>Fans</p> <p>Management</p> <p>Form Factor</p> <p>Warranty</p>	<p>(1) Intel® Xeon® E5-2603 (1.8GHz/4-core/10MB/6.4GT-s QPI/80W)</p> <p>10MB (1 x 10MB) L3 cache</p> <p>4GB (1 x 4GB DDR3-1333MHz RDIMMs) NOTE: Total of 24 DIMM slots</p> <p>HP 361i Integrated Dual Port Gigabit Server Adapter</p> <p>HP Dynamic Smart Array B120i controller NOTE: Provides data transmission speeds up to 3Gb/s.</p> <p>None ship standard; includes 3 LFF hard drive blanks</p> <p>Up to 4 large form factor drives</p> <p>(1) (Optional: DVD-ROM, DVD-RW)</p> <p>500W Platinum FIO Power Supply with Backplane (ships standard)</p> <p>(5) Non hot plug redundant fans</p> <p>HP iLO Management Engine (standard) Optional: HP iLO Scale-Out or HP Insight Control</p> <p>1U NOTE: Includes Rack Mounting Gen8 non-telescoping Friction Rail Kit which does not allow for in rack serviceability. The HP 1U Gen8 Cable Management Arm is not available when using Friction Rails. Caution: HP recommends that a minimum of two people are required for all Rack Server installations. Please refer to your installation instructions for proper tools and number of people to use for any installation</p> <p>Server Warranty includes 3 year Next Day Parts replacement, 0-Years Labor, 0-Years Onsite support (3-1-1 warranty in APJ)</p>
--	--	---

Base Model

<p>HP ProLiant DL160 Gen8 E5-2620 1P 8GB-R SATA 4 LFF 500W PS Base Server 662083-xx1</p>	<p>Processor(s)</p> <p>Cache Memory</p> <p>Memory</p>	<p>(1) Intel® Xeon® E5-2620 (2.0GHz/6-core/15MB/7.2GT-s QPI/95W, DDR3-1333, HT, Turbo2- 3/3/4/4/5/5) processor</p> <p>15MB (1 x 15MB) L3 cache</p> <p>8GB (2x4GB DDR3-1333MHz RDIMMs) NOTE: Total of 24 DIMM slots</p>
---	--	---

Pre-configured Models

Network Controller	HP 361i Integrated Dual Port Gigabit Server Adapter
Storage Controller	HP Dynamic Smart Array B120i controller NOTE: Provides data transmission speeds up to 3Gb/s.
Hard Drive	None ship standard; includes 3 LFF hard drive blanks
Internal Storage	Up to 4 large form factor drives
Optical Drive	(1) (Optional: DVD-ROM, DVD-RW)
Power Supply	500W Platinum F10 Power Supply with Backplane (ships standard)
Fans	(5) Non hot plug redundant fans
Management	HP iLO Management Engine (standard) Optional: HP iLO Scale-Out or HP Insight Control
Form Factor	1U NOTE: Includes Rack Mounting Gen8 non-telescoping Friction Rail Kit which does not allow for in rack serviceability. The HP 1U Gen8 Cable Management Arm is not available when using Friction Rails. Caution: HP recommends that a minimum of two people is required for all Rack Server installations. Please refer to your installation instructions for proper tools and number of people to use for any installation
Warranty	Server Warranty includes 3 year Next Day Parts replacement, 0-Years Labor, 0-Years Onsite support (3-1-1 warranty in APJ)

Energy Star- Performance Model

HP ProLiant DL160 Gen8 E5-2640 2P 16GB-R P420 Hot Plug 8 SFF 500W PS Perf Server 662084-xx1	Processor(s)	(2) Intel® Xeon® E5-2640 (2.5GHz/6-core/15MB/7.2GT-s QPI/95W, DDR3-1333, HT, Turbo2- 3/3/4/4/5/5) processor
	Cache Memory	15MB (1 x 15MB) L3 cache
	Memory	16GB (4x 4GB DDR3-1333MHz RDIMMs) NOTE: Total of 24 DIMM slots
	Network Controller	HP 361i Integrated Dual Port Gigabit Server Adapter
	Storage Controller	HP Smart Array P420/ 1G FBWC controller
	Hard Drive	None ship standard; includes 7 SFF hard drive blanks
	Internal Storage	Up to 8 small form factor drives
	Optical Drive	(1) (Optional: DVD-ROM, DVD-RW)
	Power Supply	500W Platinum F10 Power Supply with Backplane (ships standard)
	Fans	(7) Non hot plug redundant fans
	Management	HP iLO Management Engine (standard) Optional: HP iLO Scale-Out or HP Insight Control
	Form Factor	1U NOTE: Includes Rack Mounting Gen8 non-telescoping Friction Rail Kit which does not allow for in rack serviceability. The HP 1U Gen8 Cable Management Arm is not available when using Friction Rails. Caution: HP recommends that a minimum of two people are required for all Rack Server installations. Please refer to your installation instructions for proper tools and number of people to use for any installation

Pre-configured Models

Warranty

Server Warranty includes 3 year Next Day Parts replacement, 0-Years Labor, 0-Years Onsite support (3-1-1 warranty in APJ)

Country Code Key

xx=00	U.S.
xx=29	Japan
xx=37	APD
xx=42	Euro
xx=AA	PRC

Configuration Information - Factory Integrated Models

NOTE: This section lists some of the steps required to configure a Factory Integrated Model. To ensure only valid configurations are ordered, HP recommends the use of an HP approved configurator. Contact your local sales representative for information on configurable product offerings and requirements.

NOTE: Configure-to-order (CTO) servers must start with a CTO Chassis.

NOTE: FIO indicates that this option is only available as a factory installable option.

NOTE: Rail kits and cable management solutions are optional in CTO. See "Step 3: Choose Additional Factory Integratable Options" for details on ordering.

NOTE: The DL160 ships standard with the HP Dynamic Smart Array B120i Controller which provides support for up to 4 SATA drives (data transmission speeds up to 3Gb/s). Customers requiring more than 4 drives or SAS support are required to choose a HP Smart Array controller

NOTE: Power Supply not included - choose from Power Options section.

NOTE: All Factory Integrated Models will be populated with sufficient hard drive blanks based on the number of initial hard drives ordered with the server

Step 1: Base Configuration (choose one of the following configurable models)

HP Models	HP ProLiant DL160 Gen8 SFF Configure-to-order Server	666281-B21
	Factory Integrated Model ships with: 2 x HP Smart Socket Guides for fast processor installation HP 361i Integrated Dual Port Gigabit Server Adapter Drive cage: Eight small form factor I/O Slots- Two std (1) FH/FL x16 PCIe 3.0 or (1) FH/HL x16 PCIe3.0 and (1)low profile x8 PCIe 3.0 (1)FlexibleLOM slot for networking upgrade (24) DIMM slots for DIMMs installation HP Dynamic Smart Array B120i controller (5) Non-hot plug redundant fans (7) USB ports-4 rear, 2 front, 1 internal HP iLO Management Engine (standard) Rack (1U), (1.75 in / 4.45 cm) Power supply not included- Please choose from the power supply option section in Step 2 below.	
	HP ProLiant DL160 Gen8 LFF Configure-to-order Server	666282-B21
	Factory Integrated Model ships with: 2 x HP Smart Socket Guides for fast processor installation HP 361i Integrated Dual Port Gigabit Server Adapter Drive cage: Four large form factor I/O Slots- Two std (1) FH/FL x16 PCIe 3.0 or (1) FH/HL x16 PCIe3.0 and (1)low profile x8 PCIe 3.0 (1)FlexibleLOM slot for networking upgrade (24) DIMM slots for DIMMs installation HP Dynamic Smart Array B120i controller (5) Non-hot plug redundant fans (7) USB ports-4 rear, 2 front, 1 internal HP iLO Management Engine (standard) Rack (1U), (1.75 in / 4.45 cm) Power supply not included- Please choose from the power supply option section in Step 2 below.	
	HP ProLiant DL160 Gen8 Non-hot Plug LFF Configure-to-order Server	685622-B21

Configuration Information - Factory Integrated Models

Factory Integrated Model ships with:

- 2 x HP Smart Socket Guides for fast processor installation
- HP 361i Integrated Dual Port Gigabit Server Adapter
- Drive cage: Four large form factor
- I/O Slots- Two std
- (1) FH/FL x16 PCIe 3.0 or (1) FH/HL x16 PCIe3.0 and (1)low profile x8 PCIe 3.0
- (1)FlexibleLOM slot for networking upgrade
- (24) DIMM slots for DIMMs installation
- HP Dynamic Smart Array B120i controller
- (5) Non-hot plug redundant fans
- (7) USB ports-4 rear, 2 front, 1 internal
- HP iLO Management Engine (standard)
- Rack (1U), (1.75 in / 4.45 cm)
- Power supply not included- Please choose from the power supply option section in Step 2 below.

Step 2: Choose Required Options (only one of the following from each list unless otherwise noted)

HP Processors

NOTE: If 2 processors are desired, select one xxxxxx-L21 and one xxxxxx-B21.

Eight-Core Processors

HP DL160 Gen8 Intel® Xeon® E5-2680 (2.7GHz/8-core/20MB/130W) FIO Processor Kit	662933-L21
HP DL160 Gen8 Intel® Xeon® E5-2670 (2.6GHz/8-core/20MB/115W) FIO Processor Kit	662932-L21
HP DL160 Gen8 Intel® Xeon® E5-2665 (2.4GHz/8-core/20MB/115W) FIO Processor Kit	662925-L21
HP DL160 Gen8 Intel® Xeon® E5-2660 (2.2GHz/8-core/20MB/95W) FIO Processor Kit	662924-L21
HP DL160 Gen8 Intel® Xeon® E5-2650 (2.0GHz/8-core/20MB/95W) FIO Processor Kit	662931-L21
HP DL160 Gen8 Intel® Xeon® E5-2650L (1.8GHz/8-core/20MB/70W) FIO Processor Kit	668863-L21

Six-Core Processors

HP DL160 Gen8 Intel® Xeon® E5-2667 (2.9GHz/6-core/15MB/130W) FIO Processor Kit	662927-L21
HP DL160 Gen8 Intel® Xeon® E5-2640 (2.5GHz/6-core/15MB/95W) FIO Processor Kit	662930-L21
HP DL160 Gen8 Intel® Xeon® E5-2630 (2.3GHz/6-core/15MB/95W) FIO Processor Kit	662929-L21
HP DL160 Gen8 Intel® Xeon® E5-2620 (2.0GHz/6-core/15MB/95W) FIO Processor Kit	662928-L21
HP DL160 Gen8 Intel® Xeon® E5-2630L (2.0GHz/6-core/15MB/60W) FIO Processor Kit	662921-L21

Quad-Core Processors

HP DL160 Gen8 Intel® Xeon® E5-2609 (2.4GHz/4-core/10MB/80W) FIO Processor Kit	662923-L21
HP DL160 Gen8 Intel® Xeon® E5-2603 (1.8GHz/4-core/10MB/80W) FIO Processor Kit	662922-L21

NOTE: Up to 2 processors supported. Energy Star - Performance Model and Energy Star Certified configurations include two processors with 7 Non-hot Plug Redundant fans. Not all options are energy star qualified.

NOTE: For the Intel® C600 Chipset E5-2600 Series, the letter preceding the model number indicates the Product Line (E3, E5, E7); 2600x v#, 2 = number of CPUs in a Node, 6 is socket/segment designation, 00 = Processor SKU, x = L for low power SKUs and v# (not yet designated) = version number.

Configuration Information - Factory Integrated Models

HP Memory

NOTE: HP memory from previous generation servers are not qualified or warranted with this HP ProLiant Server. HP SmartMemory is required to realize the memory performance improvements and enhanced functionality listed in this document for Gen8. For additional information, please see the HP SmartMemory QuickSpecs at: http://h18000.www1.hp.com/products/quickspecs/14225_div/14225_div.html

NOTE: LRDIMM, RDIMM and UDIMMs are all distinct memory technologies and cannot be mixed within a server. The majority of ProLiant Gen8 servers support RDIMM, UDIMM and LRDIMM.

Registered DIMMs (RDIMMs)

HP 4GB (1x4GB) Single Rank x4 PC3L-10600R (DDR3-1333) Registered CAS-9 Low Voltage Memory Kit	647893-B21
HP 4GB (1x4GB) Single Rank x4 PC3-12800R (DDR3-1600) Registered CAS-11 Memory Kit	647895-B21
HP 8GB (1x8GB) Dual Rank x4 PC3L-10600R (DDR3-1333) Registered CAS-9 Low Voltage Memory Kit	647897-B21
HP 8GB (1x8GB) Single Rank x4 PC3-12800R (DDR3-1600) Registered CAS-11 Memory Kit	647899-B21
HP 8GB (1x8GB) Dual Rank x4 PC3-12800R (DDR3-1600) Registered CAS-11 Memory Kit	690802-B21
HP 16GB (1x16GB) Dual Rank x4 PC3L-10600R (DDR3-1333) Registered CAS-9 Low Voltage Memory Kit	647901-B21
HP 16GB (1x16GB) Dual Rank x4 PC3-12800R (DDR3-1600) Registered CAS-11 Memory Kit	672631-B21

Unbuffered with ECC DIMMs (UDIMMs)

HP 2GB (1x2GB) Single Rank x8 PC3-12800E (DDR3-1600) Unbuffered CAS-11 Memory Kit	669320-B21
HP 2GB (1x2GB) Single Rank x8 PC3L-10600E (DDR3-1333) Unbuffered CAS-9 Low Voltage Memory Kit	647905-B21
HP 4GB (1x4GB) Dual Rank x8 PC3-12800E (DDR3-1600) Unbuffered CAS-11 Memory Kit	669322-B21
HP 4GB (1x4GB) Dual Rank x8 PC3L-10600E (DDR3-1333) Unbuffered CAS-9 Low Voltage Memory Kit	647907-B21
HP 8GB (1x8GB) Dual Rank x8 PC3-12800E (DDR3-1600) Unbuffered CAS-11 Memory Kit	669324-B21
HP 8GB (1x8GB) Dual Rank x8 PC3L-10600E (DDR3-1333) Unbuffered CAS-9 Low Voltage Memory Kit	647909-B21

Load Reduction DIMMs (LRDIMMs)

HP 32GB (1x32GB) Quad Rank x4 PC3L-10600L (DDR3-1333) Load Reduced CAS-9 Low Voltage Memory Kit	647903-B21
---	------------

NOTE: All DDR3 memory option kits consist of one DIMM per kit. For detailed memory configuration rules and guidelines, please use the Online DDR3 Memory Configuration Tool: www.hp.com/go/ddr3memory-configurator.

NOTE: Depending on the memory configuration and processor model, 1600MHz and 1333MHz memory may operate at a lower speed. Please see the "Memory" section later in this document and the Online Memory Configuration Tool for details at www.hp.com/go/ddr3memory-configurator.

NOTE: For additional memory rules and guidelines, see the "Memory" section later in

Configuration Information - Factory Integrated Models

this document.

NOTE: For more information on ProLiant Energy Efficient Features, see:

www.hp.com/go/proliant-energy-efficient.

NOTE: PC3L is a low voltage memory.

NOTE: Not all Intel E5 processor series support 1600MHz or 1333MHz speeds. Memory speed is a function of the processor QPI speed.

HP Power Supplies

NOTE: Prior to making a power supply selection it is highly recommended that the HP Power Advisor is run to determine the right size power supply for your server configuration. The HP Power Advisor is located at: www.hp.com/go/hppoweradvisor.

NOTE: HP ProLiant DL160 Gen8 has only one power supply slot, above mentioned power supplies will not be Hot Plug for DL160 Gen8.

HP 500W Platinum Factory Integrated Power Supply Kit with Backplane

656365-B21

NOTE: Since this power supply is not common slot it does not allow iPDU to obtain HP Location Discovery Services information. iLO Advanced Pack is required for Discovery Services in DL160 Gen8.

HP Common Slot Platinum Plus Power Supply Kits

NOTE: The following Power Supplies offer 94% Efficiency with support for Intelligent Power Discovery.

NOTE: Common slot power supplies need an enablement kit(P/N: 662959-B21) in DL160 Gen8.

HP 460W Common Slot Platinum Plus Hot Plug Power Supply Kit

656362-B21

NOTE: Requires Power Backplane kit (p/n: 662959-B21).

HP 750W Common Slot Platinum Plus Hot Plug Power Supply Kit

656363-B21

NOTE: Requires Power Backplane kit (p/n: 662959-B21).

HP Common Slot -48VDC Power Supplies

HP 750W Common Slot -48VDC Hot Plug Power Supply Kit

636673-B21

NOTE: Requires Power Backplane kit (p/n: 662959-B21).

NOTE: The HP 750W Common Slot -48VDC power supply does not ship with a power cable. It has been designed with a terminal block connection allowing for custom design of power cords by the user.

NOTE: Option Kits for AC power supplies include the power supply and one PDU IEC cable.

NOTE: HP ProLiant servers ship with an IEC-IEC power cord used for rack mounting with Power Distribution Units (PDUs). For a full list of optional HP power cords please go to www.hp.com/products/powercords

NOTE: Power Specification and Technical Content for supported power supplies can be found at:

http://h18000.www1.hp.com/products/quickspecs/14209_div/14209_div.html

Enablement Kit

HP DL160 Gen8 FIO Power Backplane Kit

662959-B21

NOTE: When configuring the HP ProLiant DL160 Gen8 with a Common Slot power supply, the HP Power Backplane DL160 Gen8 FIO Kit (PN 662959-B21) must be used for proper installation. The Common Slot power supply and power backplane kit for the DL160 Gen8 must be factory installed and cannot be purchased as separate options.

Configuration Information - Factory Integrated Models

NOTE: Common Slot power supply is mandatory with 10Gigabit FlexibleLOM.

NOTE: Power Specification and Technical Content for supported power supplies can be found at:

http://h18000.www1.hp.com/products/quickspecs/14209_div/14209_div.html

Step 3: Choose Additional Factory Integratable Options

HP Insight Software	HP Insight Control including 1yr 24x7 Support ProLiant ML/DL/BL-bundle Single Server FIO License	C6N36A
----------------------------	--	--------

Converged Infrastructure Management Software	HP OneView with iLO Advanced - Server hardware required on same purchase order	
	HP OneView for ProLiant DL Server incl 3yr 24x7 Supp FIO Bundle Physical 1 Svr Lic	E5Y43A
	HP OneView incl 3yr 24x7 Supp Bundle 1 Svr E-LTU	E5Y43AAE

HP Optical Drives	HP 9.5mm SATA DVD-ROM JackBlack Optical Drive	652238-B21
	HP 9.5mm SATA DVD-RW JackBlack Optical Drive	652241-B21

HP USB and SD Options	HP Gen8 FIO Internal USB Kit	662961-B21
------------------------------	------------------------------	------------

NOTE: Required to enable the internal USB port.

HP Rack Options	HP 1U FIO Friction Rail Kit	663200-B21
------------------------	-----------------------------	------------

NOTE: Includes Rack Mounting Gen8 non-telescoping Friction Rail Kit which does not allow for in rack serviceability. The HP 1U Gen8 Cable Management Arm is not available when using Friction Rails. Caution: HP recommends that a minimum of two people is required for all Rack Server installations. Please refer to your installation instructions for proper tools and number of people to use for any installation.

NOTE: Additional Rack Options can be found in the "Additional Options" section of this QuickSpecs.

Step 4: Choose Additional Options for Factory Integration

NOTE: For additional "Core Options" and "Additional Options", please refer to the "Options" section below.

Core Options

NOTE: Some options may not be integrated at the factory. To ensure only valid configurations are ordered, HP recommends the use of an HP approved configurator. Contact your local sales representative for additional information.

HP Unique Options	HP DL160 Gen8 VGA Power Cable Kit NOTE: Required with NVIDIA Quadro 4000 graphic card.	662965-B21
	HP DL360 Gen8 Front Video Adapter Kit NOTE: Required to enable the front video port.	655915-B21

HP Processors

Eight-Core Processors

HP DL160 Gen8 Intel® Xeon® E5-2680 (2.7GHz/8-core/20MB/130W) Processor Kit	662933-B21
HP DL160 Gen8 Intel® Xeon® E5-2670 (2.6GHz/8-core/20MB/115W) Processor Kit	662932-B21
HP DL160 Gen8 Intel® Xeon® E5-2665 (2.4GHz/8-core/20MB/115W) Processor Kit	662925-B21
HP DL160 Gen8 Intel® Xeon® E5-2660 (2.2GHz/8-core/20MB/95W) Processor Kit	662924-B21
HP DL160 Gen8 Intel® Xeon® E5-2650 (2.0GHz/8-core/20MB/95W) Processor Kit	662931-B21
HP DL160 Gen8 Intel® Xeon® E5-2650L (1.8GHz/8-core/20MB/70W) Processor Kit	668863-B21

Six-Core Processors

HP DL160 Gen8 Intel® Xeon® E5-2667 (2.9GHz/6-core/15MB/130W) Processor Kit	662927-B21
HP DL160 Gen8 Intel® Xeon® E5-2640 (2.5GHz/6-core/15MB/95W) Processor Kit	662930-B21
HP DL160 Gen8 Intel® Xeon® E5-2630 (2.3GHz/6-core/15MB/95W) Processor Kit	662929-B21
HP DL160 Gen8 Intel® Xeon® E5-2620 (2.0GHz/6-core/15MB/95W) Processor Kit	662928-B21
HP DL160 Gen8 Intel® Xeon® E5-2630L (2.0GHz/6-core/15MB/60W) Processor Kit	662921-B21

Quad-Core Processors

HP DL160 Gen8 Intel® Xeon® E5-2609 (2.4GHz/4-core/10MB/80W) Processor Kit	662923-B21
HP DL160 Gen8 Intel® Xeon® E5-2603 (1.8GHz/4-core/10MB/80W) Processor Kit	662922-B21

NOTE: Up to 2 processors supported. Energy Star - High Performance Model and Energy Star Certified configurations include two processors with 7 non- Hot Plug Redundant fans.

NOTE: For the Intel® C600 Chipset E5-2600 Series, the letter preceding the model number indicates the Product Line (E3, E5, E7); 2600x v#, 2 = number of CPUs in a Node, 6 is socket/segment designation, 00 = Processor SKU, x = L for low power SKUs and v# (not yet designated) = version number.

HP Memory

NOTE: HP memory from previous generation servers are not qualified or warranted with this HP ProLiant Server. HP SmartMemory is required to realize the memory performance improvements and enhanced functionality listed in this document for Gen8. For additional information, please see the HP SmartMemory QuickSpecs at: http://h18000.www1.hp.com/products/quickspecs/14225_div/14225_div.html.

NOTE: LRDIMM, RDIMM and UDIMMs are all distinct memory technologies and cannot be mixed within a server. The majority of ProLiant Gen8 servers support RDIMM, UDIMM and LRDIMM.

Registered DIMMs (RDIMMs)

HP 4GB (1x4GB) Single Rank x4 PC3L-10600R (DDR3-1333) Registered CAS-9 Low Voltage Memory Kit	647893-B21
---	------------

Core Options

HP 4GB (1x4GB) Single Rank x4 PC3-12800R (DDR3-1600) Registered CAS-11 Memory Kit	647895-B21
HP 8GB (1x8GB) Dual Rank x4 PC3L-10600R (DDR3-1333) Registered CAS-9 Low Voltage Memory Kit	647897-B21
HP 8GB (1x8GB) Single Rank x4 PC3-12800R (DDR3-1600) Registered CAS-11 Memory Kit	647899-B21
HP 8GB (1x8GB) Dual Rank x4 PC3-12800R (DDR3-1600) Registered CAS-11 Memory Kit	690802-B21
HP 16GB (1x16GB) Dual Rank x4 PC3L-10600R (DDR3-1333) Registered CAS-9 Low Voltage Memory Kit	647901-B21
HP 16GB (1x16GB) Dual Rank x4 PC3-12800R (DDR3-1600) Registered CAS-11 Memory Kit	672631-B21
Unbuffered with ECC DIMMs (UDIMMs)	
HP 2GB (1x2GB) Single Rank x8 PC3-12800E (DDR3-1600) Unbuffered CAS-11 Memory Kit	669320-B21
HP 2GB (1x2GB) Single Rank x8 PC3L-10600E (DDR3-1333) Unbuffered CAS-9 Low Voltage Memory Kit	647905-B21
HP 4GB (1x4GB) Dual Rank x8 PC3-12800E (DDR3-1600) Unbuffered CAS-11 Memory Kit	669322-B21
HP 4GB (1x4GB) Dual Rank x8 PC3L-10600E (DDR3-1333) Unbuffered CAS-9 Low Voltage Memory Kit	647907-B21
HP 8GB (1x8GB) Dual Rank x8 PC3-12800E (DDR3-1600) Unbuffered CAS-11 Memory Kit	669324-B21
HP 8GB (1x8GB) Dual Rank x8 PC3L-10600E (DDR3-1333) Unbuffered CAS-9 Low Voltage Memory Kit	647909-B21
Load Reduction DIMMs (LRDIMMs)	
HP 32GB (1x32GB) Quad Rank x4 PC3L-10600L (DDR3-1333) Load Reduced CAS-9 Low Voltage Memory Kit	647903-B21
NOTE: All DDR3 memory option kits consist of one DIMM per kit. For detailed memory configuration rules and guidelines, please use the Online DDR3 Memory Configuration Tool: www.hp.com/go/ddr3memory-configurator .	
NOTE: Depending on the memory configuration and processor model, 1600MHz and 1333MHz memory may operate at a lower speed. Please see the "Memory" section later in this document and the Online Memory Configuration Tool for details at: www.hp.com/go/ddr3memory-configurator .	
NOTE: For additional memory rules and guidelines, see the "Memory" section later in this document.	
NOTE: For more information on ProLiant Energy Efficient Features, see: www.hp.com/go/proliant-energy-efficient .	
NOTE: PC3L is a low voltage memory.	
NOTE: Not all Intel E5 processor series support 1600MHz or 1333MHz speeds. Memory speed is a function of the processor QPI speed.	

HP Optical Drives

HP 9.5mm SATA DVD-ROM JackBlack Optical Drive	652238-B21
HP 9.5mm SATA DVD-RW JackBlack Optical Drive	652241-B21

Core Options

HP Hard Drives

NOTE: HP ProLiant Gen8 Smart Storage solutions are equipped with entirely re-designed Small Form Factor (SFF 2.5 in) and Large Form Factor (LFF 3.5 in) hot plug carriers for HP Qualified Hard Drives and Solid State Drives. These new carriers provide status and activity indicators as well as caution indicators for "Do Not Remove".

NOTE: The components of a storage subsystem (e.g. the drive, the HBA/controller, and the server backplane) should operate at the same data transfer rate or the system bandwidth will be negotiated down to an acceptable level for all components.

NOTE: Hard drives have either a one year or three year warranty; refer to the specific hard drive QuickSpecs for details.

SAS Hot Plug SmartDrive SFF (2.5-inch) Enterprise Drives

HP 1.2TB 6G SAS 10K rpm SFF (2.5-inch) SC Enterprise 3yr Warranty Hard Drive	697574-B21
HP 1.2TB 6G SAS 10K rpm SFF (2.5-inch) SC Dual Port Enterprise 3yr Warranty Hard Drive	718162-B21
HP 900GB 6G SAS 10K rpm SFF (2.5-inch) SC Enterprise 3yr Warranty Hard Drive	652589-B21
HP 600GB 6G SAS 10K rpm SFF (2.5-inch) SC Enterprise 3yr Warranty Hard Drive	652583-B21
HP 450GB 6G SAS 10K rpm SFF (2.5-inch) SC Enterprise 3yr Warranty Hard Drive	652572-B21
HP 300GB 6G SAS 10K rpm SFF (2.5-inch) SC Enterprise 3yr Warranty Hard Drive	652564-B21
HP 300GB 6G SAS 15K rpm SFF (2.5-inch) SC Enterprise 3yr Warranty Hard Drive	652611-B21
HP 146GB 6G SAS 15K rpm SFF (2.5-inch) SC Enterprise 3yr Warranty Hard Drive	652605-B21

SAS Hot Plug SmartDrive SFF (2.5-inch) Midline Drives

HP 1TB 6G SAS 7.2K rpm SFF (2.5-inch) SC Midline 1yr Warranty Hard Drive	652749-B21
HP 500GB 6G SAS 7.2K rpm SFF (2.5-inch) SC Midline 1yr Warranty Hard Drive	652745-B21

SAS Hot Plug SmartDrive LFF (3.5-inch) Enterprise Drives

HP 600GB 6G SAS 15K rpm LFF (3.5-inch) SC Enterprise 3yr Warranty Hard Drive	652620-B21
HP 450GB 6G SAS 15K rpm LFF (3.5-inch) SC Enterprise 3yr Warranty Hard Drive	652615-B21

SAS Hot Plug SmartDrive LFF (3.5-inch) Midline Drives

HP 4TB 6G SAS 7.2K rpm LFF (3.5-inch) SC Midline 1yr Warranty Hard Drive	695510-B21
HP 3TB 6G SAS 7.2K rpm LFF (3.5-inch) SC Midline 1yr Warranty Hard Drive	652766-B21
HP 2TB 6G SAS 7.2K rpm LFF (3.5-inch) SC Midline 1yr Warranty Hard Drive	652757-B21
HP 1TB 6G SAS 7.2K rpm LFF (3.5-inch) SC Midline 1yr Warranty Hard Drive	652753-B21

NOTE: Please see the QuickSpecs for Technical Specifications and additional information:

http://h18000.www1.hp.com/products/quickspecs/12244_div/12244_div.html

6G SATA Hot Plug with SmartDrive SFF (2.5-inch) Midline (MDL) Drives

HP 500GB 6G SATA 7.2K rpm SFF (2.5-inch) SC Midline 1yr Warranty Hard Drive	655708-B21
HP 1TB 6G SATA 7.2K rpm SFF (2.5-inch) SC Midline 1yr Warranty Hard Drive	655710-B21

6G SATA Hot Plug with SmartDrive LFF (3.5-inch) Midline (MDL) Drives

HP 4TB 6G SATA 7.2k rpm LFF (3.5-inch) SC Midline 1yr Warranty Hard Drive	693687-B21
HP 3TB 6G SATA 7.2K rpm LFF (3.5-inch) SC Midline 1yr Warranty Hard Drive	628061-B21
HP 2TB 6G SATA 7.2K rpm LFF (3.5-inch) SC Midline 1yr Warranty Hard Drive	658079-B21
HP 1TB 6G SATA 7.2K rpm LFF (3.5-inch) SC Midline 1yr Warranty Hard Drive	657750-B21
HP 500GB 6G SATA 7.2K rpm LFF (3.5-inch) SC Midline 1yr Warranty Hard Drive	658071-B21

Core Options

NOTE: Please see QuickSpecs for Technical Specifications and additional information:
http://h18000.www1.hp.com/products/quickspecs/13021_div/13021_div.html
 (Worldwide)

6G SAS ME Hot Plug SFF (2.5-inch) Enterprise Mainstream Solid State Drives

HP 800GB 6G SAS Mainstream Endurance SFF 2.5-in SC Enterprise Mainstream 3yr Wty Solid State Drive 690829-B21

HP 400GB 6G SAS Mainstream Endurance SFF 2.5-in SC Enterprise Mainstream 3yr Wty Solid State Drive 690827-B21

HP 200GB 6G SAS Mainstream Endurance SFF 2.5-in SC Enterprise Mainstream 3yr Wty Solid State Drive 690825-B21

6G SAS SLC Hot Plug SFF (2.5-inch) Enterprise Performance Solid State Drives

HP 200GB 6G SAS SLC SFF (2.5-inch) SC Enterprise Performance 3yr Warranty Solid State Drive 653078-B21

HP 400GB 6G SAS SLC SFF (2.5-inch) SC Enterprise Performance 3yr Warranty Solid State Drive 653082-B21

6G SATA Value Endurance Hot Plug SFF (2.5-inch) Enterprise Boot Solid State Drives

NOTE: These drives support Gen8 servers only.

HP 80GB 6G SATA Value Endurance SFF 2.5-in SC Enterprise Boot 3yr Wty Solid State Drive 734360-B21

6G SATA Value Endurance Hot Plug LFF (3.5-inch) Enterprise Value Solid State Drives

NOTE: These drives support Gen8 servers only.

HP 800GB 6G SATA Value Endurance LFF 3.5-in SC Enterprise Value 3yr Wty Solid State Drive 718189-B21

HP 480GB 6G SATA Value Endurance LFF 3.5-in SC Enterprise Value 3yr Wty Solid State Drive 718183-B21

HP 300GB 6G SATA Value Endurance LFF 3.5-in SC Enterprise Boot 3yr Wty Solid State Drive 739890-B21

HP 600GB 6G SATA Value Endurance LFF 3.5-in SC Enterprise Boot 3yr Wty Solid State Drive 739900-B21

HP 240GB 6G SATA Value Endurance LFF 3.5-in SC Enterprise Value 3yr Wty Solid State Drive 718177-B21

6G SATA ME Hot Plug SFF (2.5-inch) Enterprise Mainstream Solid State Drives

HP 800GB 6G SATA Mainstream Endurance SFF 2.5-in SC Enterprise Mainstream 3yr Wty Solid State Drive 691868-B21

HP 400GB 6G SATA Mainstream Endurance SFF 2.5-in SC Enterprise Mainstream 3yr Wty Solid State Drive 691866-B21

HP 200GB 6G SATA Mainstream Endurance SFF 2.5-in SC Enterprise Mainstream 3yr Wty Solid State Drive 691864-B21

HP 100GB 6G SATA Mainstream Endurance SFF 2.5-in SC Enterprise Mainstream 3yr Wty Solid State Drive 691862-B21

6G SATA Value Endurance Hot Plug LFF (3.5-inch) Enterprise Boot Solid State Drives

NOTE: These drives support Gen8 servers only.

HP 80GB 6G SATA Value Endurance LFF 3.5-in SC Enterprise Boot 3yr Wty Solid State Drive 734362-B21

Core Options

HP 120GB 6G SATA Value Endurance LFF 3.5-in SC Enterprise Boot 3yr Wty Solid State Drive	718171-B21
HP 300GB 6G SATA Value Endurance SFF 2.5-in SC Enterprise Boot 3yr Wty Solid State Drive	739888-B21
HP 600GB 6G SATA Value Endurance SFF 2.5-in SC Enterprise Boot 3yr Wty Solid State Drive	739898-B21
6G SATA Value Endurance Hot Plug SFF (2.5-inch) Enterprise Value Solid State Drives	
NOTE: These drives support Gen8 servers only.	
HP 800GB 6G SATA Value Endurance SFF 2.5-in SC Enterprise Value 3yr Wty Solid State Drive	717973-B21
HP 480GB 6G SATA Value Endurance SFF 2.5-in SC Enterprise Value 3yr Wty Solid State Drive	717971-B21
HP 240GB 6G SATA Value Endurance SFF 2.5-in SC Enterprise Value 3yr Wty Solid State Drive	717969-B21
6G SATA ME Hot Plug LFF (3.5-inch) Enterprise Mainstream Solid State Drives	
HP 800GB 6G SATA Mainstream Endurance LFF 3.5-in SC Enterprise Mainstream 3yr Wty Solid State Drive	691860-B21
HP 400GB 6G SATA Mainstream Endurance LFF 3.5-in SC Enterprise Mainstream 3yr Wty Solid State Drive	691856-B21
HP 200GB 6G SATA Mainstream Endurance LFF 3.5-in SC Enterprise Mainstream 3yr Wty Solid State Drive	691854-B21
HP 100GB 6G SATA Mainstream Endurance LFF 3.5-in SC Enterprise Mainstream 3yr Wty Solid State Drive	691852-B21
6G SATA Non-hot Plug LFF (3.5-inch) Midline (MDL) Drives	
HP 3TB 6G SATA 7.2K rpm LFF (3.5-inch) Non-hot plug Midline 1yr Warranty Hard Drive	628065-B21
HP 2TB 6G SATA 7.2K rpm LFF (3.5-inch) Non-hot plug Midline 1yr Warranty Hard Drive	659339-B21
HP 1TB 6G SATA 7.2K rpm LFF (3.5-inch) Non-hot plug Midline 1yr Warranty Hard Drive	659337-B21
HP 500GB 6G SATA 7.2K rpm LFF (3.5-inch) Non-hot plug Midline 1yr Warranty Hard Drive	659341-B21
SAS Non-Hot Plug LFF (3.5-inch) Enterprise (ENT) Drives	
HP 600GB 6G SAS 15K rpm LFF (3.5-inch) Non-hot Plug Dual Port Enterprise 3yr Warranty Hard Drive	516830-B21
HP 450GB 6G SAS 15K rpm LFF (3.5-inch) Non-hot Plug Dual Port Enterprise 3yr Warranty Hard Drive	516826-B21
NOTE: Please see the QuickSpecs for Technical Specifications and additional information: http://h18000.www1.hp.com/products/quickspecs/14038_div/14038_div.html (Worldwide)	
Hard Drive Kits	
HP SFF Gen8 Hard Drive Blank Kit	666987-B21
HP LFF Gen8 Hard Drive Blank Kit	666986-B21

Core Options

HP Networking

Gigabit Ethernet Adapters

HP NC112T PCI Express Gigabit Server Adapter	503746-B21
HP Ethernet 1Gb 4-port 331T Adapter	647594-B21
HP Ethernet 1Gb 2-port 332T Adapter	615732-B21
HP Ethernet 1Gb 2-port 361T Adapter	652497-B21
HP NC365T 4-port Ethernet Server Adapter	593722-B21

10 Gigabit Ethernet Adapters

NOTE: No more than two 10GbE I/O devices are supported in a single ProLiant server.

NOTE: A minimum of two Gigabytes (2 GB) of server memory is required per each adapter.

NOTE: Direct Attach Cable (DAC) for copper environments or fiber transceivers and cables for fiber-optic environments must be purchased separately.

HP NC523SFP 10Gb 2-port Server Adapter	593717-B21
HP NC552SFP 10Gb 2-port Ethernet Server Adapter	614203-B21
HP Ethernet 10Gb 2-port 530SFP Adapter	652503-B21
HP Ethernet 10Gb 2-port 530SFP Adapter	652503-B21
HP Ethernet 10Gb 2-port 530T Adapter	656596-B21
HP Ethernet 10Gb 2-port 560SFP+ Adapter	665249-B21
HP Ethernet 10Gb 2-port 561T Adapter	716591-B21

FlexibleLOM Adapters

HP Ethernet 1Gb 4-port 331FLR Adapter	629135-B21
HP Ethernet 1Gb 4-port 366FLR Adapter	665240-B21
HP Ethernet 10Gb 2-port 530FLR-SFP+ Adapter	647581-B21
HP FlexFabric 10Gb 2-port 534FLR-SFP+ Adapter	700751-B21
HP FlexFabric 10Gb 2-port 526FLR-SFP+ Adapter	629138-B21
HP Ethernet 10Gb 2-port 561FLR-T Adapter	700699-B21
HP FlexFabric 10Gb 2-port 533FLR-T Adapter	700759-B21
HP FlexFabric 10Gb 2-port 554FLR-SFP+ Adapter	629142-B21
HP Ethernet 10Gb 2-port 560FLR-SFP+ Adapter	665243-B21

NOTE: HP ProLiant DL160 Gen8 has a dedicated slot for FlexibleLOM. PCIe slots need not be consumed for installing FlexibleLOM.

NOTE: Please note that common slot power supply is mandatorily required with 10Gb FlexibleLOM and 10Gb Ethernet adapters. Common slot power supplies are factory installable only and cannot be bought as standalone option kit in HP ProLiant DL160 Gen8.

NOTE: Please see the QuickSpecs for Technical Specifications and additional information: www.hp.com/go/ProLiantNICs.

Core Options

HP InfiniBand	HP InfiniBand 4X QDR ConnectX-2 PCIe G2 Dual Port HCA	592520-B21
	HP Infiniband FDR/Ethernet 10Gb/40Gb 2-port 544QSFP Adapter	649281-B21
	HP Infiniband FDR/Ethernet 10Gb/40Gb 2-port 544FLR-QSFP Adapter	649282-B21
	HP Infiniband QDR/Ethernet 10Gb 2-port 544FLR-QSFP Adapter	649283-B21
	QLogic InfiniBand 4X QDR PCI-E G2 Dual Port HCA	583211-B21
	NOTE: Please see the QuickSpecs for additional information: http://h18000.www1.hp.com/products/quickspecs/13078_div/13078_div.html	

HP Power Supplies

NOTE: Prior to making a power supply selection it is highly recommended that the HP Power Advisor is run to determine the right size power supply for your server configuration. The HP Power Advisor is located at: www.hp.com/go/hppoweradvisor.

NOTE: Field upgrade is possible only from 460W Common Slot Power Supply to either of the below mentioned Common Slot Power Supplies. The 500W multi output power supplies are not field upgradable.

HP Common Slot Platinum Plus Power Supply Kits

NOTE: The following AC Power Supplies offer 94% Efficiency with support for Intelligent Power Discovery.

HP 750W Common Slot Platinum Plus Hot Plug Power Supply Kit	656363-B21
---	------------

HP Common Slot -48VDC Power Supplies

NOTE: The following Power Supplies offer 92% Efficiency

HP 750W Common Slot -48VDC Hot Plug Power Supply Kit	636673-B21
--	------------

NOTE: The HP 750W Common Slot -48VDC power supply does not ship with a power cable. It has been designed with a terminal block connection allowing for custom design of power cords by the user.

NOTE: Option Kits for AC power supplies include the power supply and one PDU IEC cable.

NOTE: HP ProLiant servers ship with an IEC-IEC power cord used for rack mounting with Power Distribution Units (PDUs). For a full list of optional HP power cords please go to www.hp.com/products/powercords

NOTE: Power Specification and Technical Content for supported power supplies can be found at:

http://h18000.www1.hp.com/products/quickspecs/14209_div/14209_div.html

HP Graphics Options

HP DL160 Gen8 VGA Power Cable Kit	662965-B21
-----------------------------------	------------

NOTE: Required with NVIDIA Quadro 4000 graphic card.

HP DL360 Gen8 Front Video Adapter Kit	655915-B21
---------------------------------------	------------

NOTE: Required to enable the front video port.

Additional Options

NOTE: Some options may not be integrated at the factory. To ensure only valid configurations are ordered, HP recommends the use of an HP approved configurator. Contact your local sales representative for additional information.

HP Insight software

HP Insight Control

HP Insight Control including 1yr 24x7 Technical Support and Updates Single Server License C6N27A

HP Insight Control including 1yr 24x7 Technical Support and Updates Electronic License C6N28ABE

HP Insight Control including 1yr 24x7 Support ProLiant ML/DL/BL-bundle FIO Electronic License C6N36ABE

HP Insight Control Server Provisioning Media Kit BD883A

HP Insight Management Media Kit C6N31A

NOTE: HP Insight Management Media Kit contains DVDs without licenses. Contains HP Systems Insight Manager, HP Insight Control, HP Matrix Operating Environment, and Virtual Connect Enterprise Manager software. Uses an integrated installer to perform quick and accurate software installation and updates.

NOTE: HP Insight Control 7.2 introduces Insight Control server provisioning, a new capability ideal for multi-server OS and firmware provisioning to ProLiant and BladeSystem servers. Insight Control server provisioning is included and licensed as part of HP Insight Control. A media kit, "HP Insight Control server provisioning USB media kit" (# BD883A), including a USB, is available for customers who require a physical copy of the media loaded with Insight Control server provisioning software. Please note that this media kit is separate and in addition to the "HP Insight Management DVD media kit" (#C6N31A).

HP Insight Control server deployment

HP Insight Control Server Deployment including 1yr 24x7 Support Electronic License T9082AAE

HP Insight Control Server Deployment including 1yr 24x7 Support Single Server License 452151-B21

NOTE: This license allows 1 server to be deployed. Customer will receive a printed license entitlement certificate via physical shipment. The license entitlement certificate must be redeemed online or via fax in order to obtain the license activation key(s). Includes one year of 24 x 7 HP Software Technical Support Service.

NOTE: For additional license kits including electronic delivery options, please see the Insight Rapid Deployment software QuickSpecs at:

http://h18000.www1.hp.com/products/quickspecs/12631_div/12631_div.html

Additional Options

HP iLO Advanced License	HP iLO Advanced including 3yr 24x7 Tech Support and Updates Electronic License	E6U64ABE
	HP iLO Advanced 1 Server License with 3yr 24x7 Tech Support and Updates	BD505A
	HP iLO Advanced including 1yr 24x7 Technical Support and Updates Single Server License	512485-B21
	HP Integrated Lights-Out (iLO)	
	HP iLO Scale Out	
	HP Integrated Lights-Out Scale-Out 3yr 24x7 Tech Support and Updates Flex Quantity License	BD776A
	HP Integrated Lights-Out Scale-Out 1yr 24x7 Tech Support and Updates Flex Quantity License	BD778A
	HP Integrated Lights-Out Scale-Out including 3yr 24x7 Tech Support and Updates Flex Qty E-LTU	BD776AAE
	HP Integrated Lights-Out Scale-Out including 1yr 24x7 Tech Support and Updates Flex Qty E-LTU	BD778AAE
	HP Integrated Lights-Out Scale-Out including 3yr 24x7 Tech Support and Updates Tracking License	BD777A
	HP Integrated Lights-Out Scale-Out including 1yr 24x7 Tech Support and Updates Tracking License	BD779A
	NOTE: Customer will receive a license entitlement certificate, which must be redeemed online or via fax in order to obtain the license activation key(s). Includes one year of 24 x 7 HP Software Technical Support Service.	
	NOTE: For additional license kits, including electronic delivery options, please see the iLO QuickSpecs at http://www.hp.com/go/iLO	

Converged Infrastructure Management Software **HP OneView**

HP OneView with iLO Advanced

HP OneView incl 3yr 24x7 Supp Phys 1 Svr Lic	E5Y34A
HP OneView incl 3yr 24x7 Supp Flex Qty E-LTU	E5Y35AAE
HP OneView Media Kit Phys No Lic	E5Y37A

HP OneView without iLO Advanced

HP OneView w/o iLO Adv incl 3yr 24x7 Supp Phys 1 Svr Lic	E5Y38A
HP OneView w/o iLO Adv inc 3yr 24x7 Supp Flex Qty E-LTU	E5Y39AAE

NOTE: For additional license kits please see the QuickSpecs at http://h18004.www1.hp.com/products/quickspecs/14621_div/14621_div.html.

Additional Options

HP High Performance Clusters

HP Cluster Management Utility

HP Insight Cluster Management Utility 1yr 24x7 Flexible License

QL803B

NOTE: This part number can be used to purchase one certificate for multiple licenses with a single activation key. Each license is for one node (server). Customer will receive a printed end user license agreement and license entitlement certificate via physical shipment. The license entitlement certificate must be redeemed online in order to obtain a license key.

HP Insight Cluster Management Utility 3yr 24x7 Flexible License

BD476A

NOTE: These part numbers can be used to purchase one certificate for multiple licenses and support with a single activation key. Each license is for one node (server). Customer will receive a printed end user license agreement and license entitlement certificate via physical shipment. The license entitlement certificate must be redeemed online in order to obtain a license key. Customer also will receive a support agreement.

HP Insight Cluster Management Utility Media

BD477A

NOTE: Order a minimum of one license per cluster to purchase media including software and documentation, which will be delivered to the customer, and also licenses CMU management. No license key is delivered or required

NOTE: For additional license kits please see the QuickSpecs at:

http://h18004.www1.hp.com/products/quickspecs/12612_div/12612_div.html

HP I/O Accelerator Options

Second Generation Accelerators

HP 365GB Multi Level Cell G2 PCIe ioDrive2 for ProLiant Servers

673642-B21

HP 785GB Multi Level Cell G2 PCIe ioDrive2 for ProLiant Servers

673644-B21

HP 1205GB Multi Level Cell G2 PCIe ioDrive2 for ProLiant Servers

673646-B21

HP 2410GB Multi Level Cell G2 PCIe ioDrive2 Duo for ProLiant Servers

673648-B21

NOTE: When the Full length Graphic card is installed in the system, no additional PCIe slots is available and only embedded storage controller B120i is available for up to 4 SATA HDDs configuration

NOTE: Please see the QuickSpecs for Technical Specifications and additional information:

http://h18004.www1.hp.com/products/quickspecs/13587_div/13587_div.html
(Worldwide)

Additional Options

HP Security	<p>HP Trusted Platform Module Option 488069-B21</p> <p>NOTE: The TPM (Trusted Platform Module) is a microcontroller chip that can securely store artifacts used to authenticate the server platform. These artifacts can include passwords, certificates and encryption keys. Windows® BitLocker™ Drive Encryption (BitLocker) is a data protection feature available in Windows Server® 2008. BitLocker leverages the enhanced security capabilities of a Trusted Platform Module (TPM) version 1.2. The TPM works with BitLocker to help protect user data and to ensure that a server running Windows Server 2008 has not been tampered with while the system was offline. For more information about TPM, including a white paper, go to: www.hp.com/go/TPM.</p> <p>NOTE: ProLiant OS pre-installed units will come with the partition required for TPM deployment.</p> <p>NOTE: The TPM key is unique to every TPM deployed server and must be retained. Misplacing or losing the key could result in data loss.</p>
	<p>HP 1U Security Gen8 Bezel Kit 664918-B21</p>

HP Storage Controllers	<p>NOTE: Embedded HP B120i Dynamic Smart Array controller supports only up to 4 SATA drives. For SAS support and more than 4 drives support (in 8SFF models), a HP Smart Array controller is required.</p> <p>SAS Controllers</p> <p>Smart Array P222 Controller</p> <p>HP Smart Array P222/512 FBWC 6Gb 1-port Int/1-port Ext SAS Controller 631667-B21</p> <p>NOTE: Mini SAS 700mm cable (PN 662963-B21) required with this controller.</p> <p>NOTE: HP Smart Array P222 controller can only be installed in the external PCI-e slot.</p> <p>NOTE: HP Smart Array P222 controller is supported on LFF models only.</p> <p>HP Smart Array P420 Controller</p> <p>HP Smart Array P420/2GB FBWC 6Gb 2-ports Int SAS Controller 631671-B21</p> <p>HP Smart Array P420/1GB FBWC 6Gb 2-ports Int SAS Controller 631670-B21</p> <p>NOTE: HP Smart Array P420 controller can only be installed in the internal PCI-e slot. It is not supported on external PCI-e slot.</p> <p>HP Smart Array P421 Controller</p> <p>HP Smart Array P421/2GB FBWC 6Gb 2-ports Ext SAS Controller 631674-B21</p> <p>HP Smart Array P421/1GB FBWC 6Gb 2-ports Ext SAS Controller 631673-B21</p> <p>HP Smart Array P822 Controller</p> <p>HP Smart Array P822/2GB FBWC 2-ports Int/4-ports Ext SAS Controller 615418-B21</p> <p>NOTE: Requires two cable kits (P/N: 676895-B21 and P/N: 662963-B21) with 8SFF models.</p> <p>Optional upgrades</p> <p>HP 2GB P-series Smart Array Flash Backed Write Cache 631681-B21</p> <p>HP 1GB P-series Smart Array Flash Backed Write Cache 631679-B21</p> <p>HP 512MB B-series 36 inch Dynamic Smart Array Flash Backed Write Cache for ML/DL 631922-B21</p> <p>NOTE: This upgrade is for HP Dynamic Smart Array B120i controller. It is required for implementing RAID 5.</p>
-------------------------------	---

Additional Options

HP Mini SAS 800mm Gen8 Cable Kit	676895-B21
NOTE: This cable option kit is required with HP Smart Array P822/ 2GB FBWC controller.	
HP Mini SAS 700mm Gen8 Cable Kit	662963-B21
NOTE: This cable option kit is required with HP Smart Array P822/ 2GB FBWC controller, HP Smart Array P222/512 FBWC controller and H222 Host bus adapter.	
NOTE: Please see the QuickSpecs for Technical Specifications and additional information:	
http://h18000.www1.hp.com/products/quickspecs/14227_div/14227_div.html (Smart Array P222 Controller)	
http://h18000.www1.hp.com/products/quickspecs/14228_div/14228_div.html (Smart Array P420 Controller)	
http://h18000.www1.hp.com/products/quickspecs/14229_div/14229_div.html (Smart Array P421 Controller)	
http://h18000.www1.hp.com/products/quickspecs/14337_div/14337_div.html (Smart Array P822 Controller)	
HP Smart Array Advanced Pack	
http://h18000.www1.hp.com/products/quickspecs/13200_div/13200_div.html (SAAP)	
Host Bus Adapter	
HP SC11Xe Ultra320 Single Channel/ PCIe x4 SCSI Host Bus Adapter	412911-B21
NOTE: Supports SCSI Tapes only, no RAID support.	
NOTE: HBA is recommended for SCSI tape drive support.	
HP H220 Host Bus Adapter	650933-B21
HP H221 PCIe 3.0 SAS Host Bus Adapter	729552-B21
HP H221 Host Bus Adapter	650931-B21
NOTE: This is a 2 x4 External Port HBA.	
NOTE: This is only approved for the HP P2000 G3 SAS Modular Smart and tape drives.	
HP H222 Host Bus Adapter	650926-B21
NOTE: Mini SAS 700mm cable (PN 662963-B21) required with this controller	
NOTE: HP H222 Host Bus Adapter is supported on LFF models only.	
NOTE: Please see the QuickSpecs for Technical Specifications and additional information:	
http://h18004.www1.hp.com/products/quickspecs/12566_div/12566_div.html (SC11Xe HBA)	
http://h18004.www1.hp.com/products/quickspecs/14336_div/14336_div.html (HBA 220)	
http://h18004.www1.hp.com/products/quickspecs/14222_div/14222_div.html (HBA 221)	
http://h18004.www1.hp.com/products/quickspecs/14337_div/14337_div.html (HBA 222)	

Additional Options

HP Tape Backup

NOTE: For the complete range of tape drives, autoloaders, libraries and media see: <http://www.hp.com/go/tape>. For hardware and software compatibility of HP tape backup products see: <http://www.hp.com/storage/SPOCK> and <http://www.hp.com/go/ebs>.

NOTE: For Internal drives to be connected to DL servers please make sure that you order rack mount kit as well.

HP StoreEver LTO-6 Ultrium 6250 Tape Drive in 1U Rack-mount Kit	COL99A
HP StoreEver LTO-6 Ultrium 6650 SAS Internal Tape Drive	EH963A
HP StoreEver LTO-6 Ultrium 6650 SAS External Tape Drive	EH964A
HP StoreEver LTO-6 Ultrium 6250 Internal Tape Drive	EH969A
HP StoreEver LTO-6 Ultrium 6250 External Tape Drive	EH970A

HP Disk Backup

NOTE: For the complete range of RDX drives and media see: <http://www.hp.com/go/rdx>. For hardware and software compatibility of HP disk backup products see: <http://www.hp.com/storage/SPOCK>.

HP RDX Removable Disk Backup System

HP RDX320 USB3.0 External Disk Backup System	B7B63A
HP RDX500 USB3.0 Internal Disk Backup System	B7B64A
HP RDX500 USB3.0 External Disk Backup System	B7B66A
HP RDX1000 USB3.0 Internal Disk Backup System	B7B67A
HP RDX1000 USB3.0 External Disk Backup System	B7B69A

NOTE: Please see the QuickSpecs for additional part numbers, Technical Specifications, and additional information:

http://h18000.www1.hp.com/products/quickspecs/13036_div/13036_div.html
(Worldwide)

HP StoreOnce Backup systems

HP StoreOnce 2620 iSCSI Backup	BB852A
--------------------------------	--------

NOTE: Please see the QuickSpecs for additional part numbers, Technical Specifications, and additional information:

http://h18000.www1.hp.com/products/quickspecs/14450_div/14450_div.html
(Worldwide)

Additional Options

HP Storage Options

Fibre Channel HBA

NOTE: The following is a list of all Fibre Channel Host Bus Adapters for Windows and Linux. For detailed compatibility information please see: <http://h18006.www1.hp.com/storage/saninfrastructure/hba.html>

Brocade Fibre Channel HBAs

HP 81B 8Gb 1-port PCIe Fibre Channel Host Bus Adapter	AP769B
HP 82B 8Gb 2-port PCIe Fibre Channel Host Bus Adapter	AP770B

Emulex Fibre Channel HBAs

HP 81E 8Gb 1-port PCIe Fibre Channel Host Bus Adapter	AJ762B
HP 82E 8Gb 2-port PCIe Fibre Channel Host Bus Adapter	AJ763B
HP SN1000E 16Gb 1-port PCIe Fibre Channel Host Bus Adapter	QR558A
HP StoreFabric SN1100E 16Gb Single Port Fibre Channel Host Bus Adapter	C8R38A
HP SN1000E 16Gb 2-port PCIe Fibre Channel Host Bus Adapter	QR559A
HP StoreFabric SN1100E 16Gb Dual Port Fibre Channel Host Bus Adapter	C8R39A

QLogic Fibre Channel HBAs

HP 81Q 8Gb 1-port PCIe Fibre Channel Host Bus Adapter	AK344A
HP 82Q 8Gb 2-port PCIe Fibre Channel Host Bus Adapter	AJ764A
HP StoreFabric SN1000Q 16GB 1-port PCIe Fibre Channel Host Bus Adapter	QW971A
HP StoreFabric SN1000Q 16GB 2-port PCIe Fibre Channel Host Bus Adapter	QW972A

Converged Network Adapter

HP CN1100E Dual Port Converged Network Adapter	BK835A
HP StoreFabric CN1100R Dual Port Converged Network Adapter	QW990A

HP Uninterruptible Power Systems

HP Rack-mountable UPS

HP R1500 G3 Uninterruptible Power Supply (UPS)

HP R1.5kVA G3 1U INTL Uninterruptible Power System	AF471A
HP R1.5kVA G3 1U JP/TW Uninterruptible Power System	AF470A
HP R1.5kVA G3 1U NA Uninterruptible Power System	AF469A

NOTE: Please see the QuickSpecs for Technical Specifications and additional information:

http://h18000.www1.hp.com/products/quickspecs/14059_div/14059_div.html
(Worldwide)

HP R/T3000 G2 Uninterruptible Power System (UPS)

HP R/T3000 G2 2U Detachable Cord High Voltage INTL Uninterruptible Power System	AF468A
HP R/T3000 G2 2U L530 Low Voltage NA/JP Uninterruptible Power System	AF466A
HP R/T3000 G2 2U L620 High Voltage NA/JP Uninterruptible Power System	AF467A

NOTE: Please see the QuickSpecs for Technical Specifications and additional information:

http://h18000.www1.hp.com/products/quickspecs/14058_div/14058_div.html
(Worldwide)

R5000 Uninterruptible Power System (UPS)

Additional Options

HP R5KVA 3U IEC309-32A High Voltage INTL Uninterruptible Power System	AF461A
HP R5KVA 3U L630 High Voltage NA/JP Uninterruptible Power System	AF460A

NOTE: Please see the QuickSpecs for Technical Specifications and additional information:

http://h18000.www1.hp.com/products/quickspecs/14109_div/14109_div.html
(Worldwide)

R7000 Uninterruptible Power System (UPS)

HP R7KVA 4U 50A High Voltage NA/JP Uninterruptible Power System	AF462A
HP R7KVA 4U IEC-32A High Voltage INTL Uninterruptible Power System	AF463A

NOTE: Please see the QuickSpecs for Technical Specifications and additional information:

http://h18000.www1.hp.com/products/quickspecs/14110_div/14110_div.html
(Worldwide)

NOTE: For additional information on HP Uninterruptible Power Systems please go to: www.hp.com/servers/rackups.

NOTE: For additional information on sizing your server, please reference: <http://www.upssizer.com>

NOTE: Please see the UPS and PDU cable matrix's on the HP Power Protection and Management page. Under Power Cords, click on the "HP Power Cord Matrix" link. That link will list cable descriptions, requirements, and specifications for UPS and PDU units. Please see the following link: www.hp.com/products/powercords.

HP Power Distribution Units

NOTE: Please see the QuickSpecs for Technical Specifications and additional information:

http://h18000.www1.hp.com/products/quickspecs/12118_div/12118_div.html

NOTE: For additional information on HP Power Distribution Units including accessories please go to: www.hp.com/go/pdu.

NOTE: Please see the UPS and PDU cable matrix's on the HP Power Protection and Management page. Under Power Cords, click on the "HP Power Cord Matrix" link. That link will list cable descriptions, requirements, and specifications for UPS and PDU units. Please see the following link: www.hp.com/products/powercords.

NOTE: Please see the following QuickSpecs for additional options including shorter jumper cables and country specific power cords:

http://h18000.www1.hp.com/products/quickspecs/11041_div/11041_div.html
(Worldwide)

Additional Options

HP Intelligent Power Distribution Units (iPDU)	iPDU Core Units	
	HP 4.9kVA 24A Single Phase NA/JP Core Intelligent Modular Power Distribution Unit	AF520A
	HP 8.6kVA 24A Three Phase NA/JP Core Intelligent Modular Power Distribution Unit	AF522A
	HP 7.3kVA 32A Single Phase INTL Core Intelligent Modular Power Distribution Unit	AF525A
	HP 11kVA 16A Three Phase INTL Core Intelligent Modular Power Distribution Unit	AF526A
	iPDU Extension Bars	
	HP 5x13 Intelligent PDU Extension Bar G2 Kit	AF547A
	HP 5x13 Outlets Power and UID LEDs Pair Standard Extension Bar	AF528A

HP Basic Power Distribution Units	HP 1.9kVA 120 Volt 12 Outlet NA/JP Basic Power Distribution Unit	H5M54A
	HP 2.8kVA 120 Volt 18 Outlet NA/JP Basic Power Distribution Unit	H5M55A
	HP 3.6kVA 200-240 Volt 12 Outlet WW Basic Power Distribution Unit	H5M56A
	HP 3.6kVA 200-240 Volt 20 Outlet WW Basic Power Distribution Unit	H5M57A
	HP 4.9kVA 208 Volt 20 Outlet NA/JP Basic Power Distribution Unit	H5M58A
	HP 4.9kVA 208 Volt 30 Outlet NA/JP Basic Power Distribution Unit	H5M59A
	HP 8.3kVA 208 Volt 36 Outlet NA/JP Basic Power Distribution Unit	H5M60A
	HP 8.6kVA 208 Volt Three Phase 18 Outlet NA/JP Basic Power Distribution Unit	H5M61A
	HP 8.6kVA 208 Volt Three Phase 30 Outlet NA/JP Basic Power Distribution Unit	H5M62A
	HP 5.7kVA 208 Volt Three Phase 27 Outlet NA/JP Dual Voltage Basic Power Distribution Unit	H5M63A
	HP 8.6kVA 208 Volt Three Phase 30 Outlet NA/JP Dual Voltage Basic Power Distribution Unit	H5M64A
	HP 11kVA 400 Volt Three Phase 42 Outlet NA Basic Power Distribution Unit	H5M67A
	HP 7.3kVA 230 Volt 20 Outlet INTL Basic Power Distribution Unit	H5M68A
	HP 7.3kVA 230 Volt 30 Outlet INTL Basic Power Distribution Unit	H5M70A
	HP 11kVA 230 Volt 36 Outlet INTL Basic Power Distribution Unit	H5M71A
	HP 11kVA 400 Volt Three Phase 30 Outlet INTL Basic Power Distribution Unit	H5M72A
	HP 11kVA 400 Volt Three Phase 42 Outlet INTL Basic Power Distribution Unit	H5M73A
	HP Hardwired 200-240 Volt 36 Outlet WW Basic Power Distribution Unit	H5M75A
	HP 13.2kVA 480 Volt Three Phase 15 Outlet NA Basic Power Distribution Unit	H3X07A
	HP 19.9kVA 480 Volt Three Phase 30 Outlet NA Basic Power Distribution Unit	H3X08A
	HP 277 Volt options for H3X07A and H3X08A	
	HP 800VA - 277V Input / 230V Output NA Rack Mount Transformer	H3X09A

NOTE: Please see the QuickSpecs for Technical Specifications and additional information:

http://h18000.www1.hp.com/products/quickspecs/14557_div/14557_div.html
(Worldwide)

NOTE: Additional HP Power Distribution Units are available. For a complete list of all HP PDUs and additional information please visit: www.hp.com/go/rackandpower.

Additional Options

HP Rack Series

Rack Intelligent Series rack

HP 636 1075mm Pallet Intelligent Series Rack	BW895A
HP 636 1075mm Shock Intelligent Series Rack	BW896A
HP 642 1075mm Pallet Intelligent Series Rack	BW903A
HP 642 1075mm Shock Intelligent Series Rack	BW904A
HP 647 1075mm Pallet Intelligent Series Rack	BW911A
HP 647 1075mm Shock Intelligent Series Rack	BW912A

NOTE: Please see the QuickSpecs for additional information:

http://h18000.www1.hp.com/products/quickspecs/14223_div/14223_div.html
(Worldwide)

NOTE: The increasing power of new high-performance processor technology requires increased cooling efficiency for rack-mounted servers. The 10000 G2 Series Racks provide enhanced airflow for maximum cooling, allowing these racks to be fully loaded with servers using the latest processors.

CAUTION: If a third-party rack is used, observe the following additional requirements to ensure adequate airflow and to prevent damage to the equipment: Front and rear doors: If your 42U server rack includes closing front and rear doors, you must allow 5,350 sq cm (830 square inches) of hole evenly distributed from top to bottom to permit adequate airflow (equivalent to the required 64 percent open area for ventilation). Side: The clearance between the installed rack component and the side panels of the rack must be a minimum of 7 cm (2.75 inches).

CAUTION: Always use blanking panels to fill all remaining empty front panel U-spaces in the rack. This arrangement ensures proper airflow. Using a rack without blanking panels results in improper cooling that can lead to thermal damage.

NOTE: Quick deploy rail system provides tool-free support for racks with square or round mounting holes (including Compaq/HP 7000, 9000, 10000 G2 and HP series), with an adjustment range of 24" - 36". The ambidextrous cable management arm can be mounted on either the left or right side for improved cable management.

NOTE: High Airflow Inserts (High Air Flow Rack Door Insert for the 7142 Rack (single) - PN: 327281-B21; or High Air Flow Rack Door Insert for the 7142 Rack (6-pack) - PN: 327281-B22) are required to support the HP ProLiant DL160 in 7000 series racks. Cable Management Arm is not supported on 7000 series racks.

NOTE: Cable management arm must be removed to access power supplies when the cable management arm is mounted on the right.

HP Rack Options

HP Location Discovery Services

HP 36U Location Discovery Kit	BW945A
HP 42U Location Discovery Kit	BW946A
HP 47U Location Discovery Kit	BW947A

NOTE: Please see the QuickSpecs for Technical Specifications and additional information:

http://h18000.www1.hp.com/products/quickspecs/14429_div/14429_div.html
(Worldwide)

HP USB Keyboard and Mouse

HP USB BFR with PVC Free US Keyboard/Mouse Kit	631341-B21
--	------------

Additional Options

HP USB BFR with PVC Free UK Keyboard/Mouse Kit	631344-B21
HP USB BFR with PVC Free FR Keyboard/Mouse Kit	631346-B21
HP USB BFR with PVC Free ES Keyboard/Mouse Kit	631348-B21
HP USB BFR with PVC Free DE Keyboard/Mouse Kit	631358-B21
HP USB BFR with PVC Free JP Keyboard/Mouse Kit	631360-B21
HP USB BFR with PVC Free IT Keyboard/Mouse Kit	631362-B21
HP USB BFR with PVC Free CN Keyboard/Mouse Kit	631364-B21
HP USB BFR with PVC Free AE Keyboard/Mouse Kit	638212-B21
HP USB BFR with PVC Free RU Keyboard/Mouse Kit	638214-B21
HP USB BFR with PVC Free IN Keyboard/Mouse Kit	672097-D63
HP USB BFR with PVC Free AP-Intl Keyboard/Mouse Kit	672097-373
HP USB BFR with PVC Free Intl Keyboard/Mouse Kit	672097-B33
HP USB BFR with PVC Free PT Keyboard/Mouse Kit	672097-133
HP USB BFR with PVC Free TR Keyboard/Mouse Kit	672097-143
HP USB BFR with PVC Free CZ Keyboard/Mouse Kit	672097-223
HP USB BFR with PVC Free FI Keyboard/Mouse Kit	672097-353
HP USB BFR with PVC Free SE Keyboard/Mouse Kit	672097-103
HP USB BFR with PVC Free CH Keyboard/Mouse Kit	672097-113
HP USB BFR with PVC Free KR Keyboard/Mouse Kit	672097-KD3

NOTE: Please see the QuickSpecs for Technical Specifications and additional information:

http://h18000.www1.hp.com/products/quickspecs/13972_div/13972_div.html
(Worldwide)

HP TFT7600 G2 KVM Console Rackmount Keyboard Monitor

HP TFT7600 G2 KVM Console Rackmount Keyboard US Monitor	AZ870A
HP TFT7600 G2 KVM Console Rackmount Keyboard UK Monitor	AZ871A
HP TFT7600 G2 KVM Console Rackmount Keyboard DE Monitor	AZ872A
HP TFT7600 G2 KVM Console Rackmount Keyboard FR Monitor	AZ873A
HP TFT7600 G2 KVM Console Rackmount Keyboard IT Monitor	AZ874A
HP TFT7600 G2 KVM Console Rackmount Keyboard ES Monitor	AZ875A
HP TFT7600 G2 KVM Console Rackmount Keyboard DK Monitor	AZ876A
HP TFT7600 G2 KVM Console Rackmount Keyboard NO Monitor	AZ877A
HP TFT7600 G2 KVM Console Rackmount Keyboard SE/FI Monitor	AZ878A
HP TFT7600 G2 KVM Console Rackmount Keyboard CH Monitor	AZ879A
HP TFT7600 G2 KVM Console Rackmount Keyboard PT Monitor	AZ880A
HP TFT7600 G2 KVM Console Rackmount Keyboard BE Monitor	AZ881A
HP TFT7600 G2 KVM Console Rackmount Keyboard JP Monitor	AZ882A
HP TFT7600 G2 KVM Console Rackmount Keyboard RU Monitor	AZ883A
HP TFT7600 G2 KVM Console Rackmount Keyboard Intl Monitor	AZ884A
HP TFT7600 G2 KVM Console Rackmount Keyboard US TAA Monitor	AZ885A

Additional Options

NOTE: Please see the QuickSpecs for Technical Specifications and additional information:

http://h18000.www1.hp.com/products/quickspecs/13731_div/13731_div.html
(Worldwide)

HP Server Console Switches

HP Server Console 0x2x8 Port Analog Switch	AF616A
HP Server Console 0x2x16 Port Analog Switch	AF617A
HP TAA 0x2x16xKVM Server Console G2 Switch	AF626A

NOTE: Please see the QuickSpecs for Technical Specifications and additional information:

http://h18000.www1.hp.com/products/quickspecs/11834_div/11834_div.html
(Worldwide)

HP Server Console Switch G2 with Virtual Media & CAC

HP 0x2x16 KVM Server Console Switch G2 with Virtual Media CAC Software	AF618A
HP 0x2x32 KVM Server Console Switch G2 with Virtual Media CAC Software	AF619A
HP KVM CAT5 1-pack USB Interface Adapter	336047-B21

NOTE: Please see the QuickSpecs for Technical Specifications and additional information:

http://h18000.www1.hp.com/products/quickspecs/13475_div/13475_div.html
(Worldwide)

HP 1x4 USB/PS2 KVM Console Switch

HP 1x4 USB/PS2 KVM Console Switch	AF611A
HP 1x1Ex8 KVM IP Console Switch G2 with Virtual Media CAC Software	AF620A
HP 2x1Ex16 KVM IP Console Switch G2 with Virtual Media CAC Software	AF621A
HP 4x1Ex32 KVM IP Console Switch G2 with Virtual Media CAC Software	AF622A

NOTE: Please see the QuickSpecs for Technical Specifications and additional information:

http://h18000.www1.hp.com/products/quickspecs/13474_div/13474_div.html
(Worldwide)

Rack Kits

HP Rack Cable Management Velcro Clips	379820-B21
HP 1U Small Form Factor Ball Bearing Gen8 Rail Kit	663201-B21

NOTE: For SFF models.

HP 1U Cable Management Arm for Ball Bearing Gen8 Rail Kit	663203-B21
---	------------

HP 1U Large Form Factor Ball Bearing Gen8 Rail Kit	663202-B21
--	------------

NOTE: For LFF models.

NOTE: For additional information regarding Rack Cabinets and Telco Rack support, please see the following URL: www.hp.com/go/rackandpower.

Additional Options

HP Flash Media Kits for USB Drives

HP Flash Media Kits for USB Drives

HP 2GB USB Flash Media Drive Key Kit

608447-B21

NOTE: HP qualified blank USB key for use with HP ProLiant servers that support the VMware virtualization environment and other HP value-add software like SmartStart. HP recommends this industry standard USB flash device for use with VMware ESXi. USB device must be installed in the internal slot of the ProLiant server for use with VMware ESXi. Refer to HP VMware Getting Started Guide for installation instructions.

NOTE: Blank SD media device is supported for use with VMware and Citrix. SD media must be installed in the internal slot of the ProLiant server. Learn more at <http://www.hp.com/go/proliantvirtualization>.

HP Enterprise Mainstream Flash Media Kits for Memory Cards

HP 8GB SD Enterprise Mainstream Flash Media Kit

726113-B21

HP 8GB USB Enterprise Mainstream Flash Media Drive Key Kit

737953-B21

HP 32GB SD Enterprise Mainstream Flash Media Kit

700136-B21

HP Care Pack Services

Proactive Care - Collaborative Support plus Proactive services delivered by the on shore/near shore Advanced Solution Center (ASC) and backed by the global delivery organization, end-to-end case ownership from a Technical Solution Specialists and Technical Account Manager who remotely delivers firmware/software revision management, proactive scans and incident trend reports. Recommended for customers running a virtualized infrastructure and/or customers who desire an enhanced call support experience.

HP 3 year Next business day ProLiant DL16x Proactive Care Service

U3A12E

Proactive Care Personalized Support Environmental Option - to add an onsite Account Support Manager (ASM) to Proactive Care. ASM is an assigned resource who delivers support planning and brings technical expertise and best practices advice for the customer's environment.

HP 3 year ISS ProactiveCare Personalized Support

U6W98E

HP 3 year 6 hour Call To Repair 24x7 with Defective Media Retention ProLiant DL16x Proactive Care SVC

U3A25E

HP 3 year 4 hour 24x7 ProLiant DL16x Proactive Care Service

U3A18E

HP 3 year Next business day with Defective Media Retention ProLiant DL16x Proactive Care Service

U3A15E

HP 3 year 4 hour 24x7 with Defective Media Retention ProLiant DL16x Proactive Care Service

U3A21E

HP 3 year 6 hour Call To Repair 24x7 ProLiant DL16x Proactive Care Service

U3A24E

HP 3 year Next business day ProLiant DL16x Collaborative Support

U1J92E

HP 3 year 4 hour 24x7 ProLiant DL16x Collaborative Support

U1J98E

HP 3 year Next business day with Defective Media Retention ProLiant DL16x Collaborative Support

U1J95E

HP 3 year 4 hour 24x7 with Defective Media Retention ProLiant DL16x Collaborative Support

U1K01E

HP 3 year 6 hour Call To Repair 24x7 ProLiant DL16x Collaborative Support

U1K04E

Additional Options

HP 3 year 6hr Call To Repair 24x7 with Defective Media Retention ProLiant DL16x Collaborative Support	U1K05E
HP 3 year 6 hour 24x7 Call to Repair with Defective Media Retention BL6xxc Server Blade HW Support	UK121E
UH745E - reduce the time required to get your system up and running and help minimize disruptions to your business.	
HP Install ProLiant DL14x and DL16x Service	U9520E
HP Installation of ProLiant Add On/In Options Service	UH745E
Additional HP Care Pack services can be found at: http://www.hp.com/go/cpc	

Memory

HP SmartMemory

New HP SmartMemory now provides additional protection for your servers. With HP Authentication it can verify that you have true HP Qualified Memory in your HP ProLiant Gen8 server. With HP SmartMemory your new HP ProLiant server can take advantage of additional Gen8 enhancements in performance, durability and future manageability support through HP Active Health System.

For detailed memory configuration rules and guidelines, please use the Online DDR3 Memory Configuration Tool:

www.hp.com/go/ddr3memory-configurator

HP ProLiant DL160 Gen8

NOTE: Memory configurations listed do not apply to "Factory Integrated Models".

Standard Memory

4GB (1x4GB) , 8GB (2 x 4GB) or 16GB(4 x 4GB) depending on model, DDR3-1333MHz Registered RDIMM memory

Maximum Memory

Up to 768GB

NOTE: Charts do not represent all possible memory configurations.

DDR3 memory population guidelines

NOTE: For detailed memory configuration rules and guidelines, please use the Online DDR3 Memory Configuration Tool:

www.hp.com/go/ddr3memory-configurator

Some DIMM installation guidelines are summarized below:

- For servers with twenty-four (24) memory slots:
 - There are four (4) channels per processor; eight (8) channels per server
 - There are three (3) DIMM slots for each memory channel; twenty-four (24) total slots
- White DIMM slots denote the first slot of a channel. For 1 DPC (DIMM per channel) populate white slots only.
- Install DIMMs only if the corresponding processor is installed.
- If only one processor is installed in a two processor system, only half of the DIMM slots are available.
- When two processors are installed, balance the DIMMs across the two processors.
- To maximize performance, balance the total memory capacity between all installed processors
 - Populate DIMMs from heaviest load (quad-rank) to lightest load (single-rank) within a channel
 - Heaviest load (DIMM with most ranks) within a channel goes furthest from the processor
- Do not mix UDIMMs, RDIMMs or LRDIMMs
- LR DIMMs are supported up to 3 DIMMs per channel.
- DIMMs of different voltages (1.35V & 1.5V) may be mixed in any order
- The system will power them at the higher voltage
- DIMMs of different speed grades may be mixed in any order
 - The system will select a common optimal speed
- To realize the performance memory capabilities listed in this document, HP SmartMemory is required. For additional information, please see the HP SmartMemory QuickSpecs at:
http://h18000.www1.hp.com/products/quickspecs/14225_div/14225_div.html (Worldwide)

Memory

DIMM slot/capacity/populated speed table															
DIMM Type	Registered DIMMS (RDIMMs)								Load Reduced (LRDIMMs)	Unbuffered with ECC DIMMs (UDIMMs)					
	Single Rank (1R)				Dual Rank (2R)				Quad Rank (4R)	Single Rank (1R)	Dual Rank (2R)				
DIMM Capacity	4GB	4GB	8GB	8GB	8GB	16GB	16GB	32GB	2GB	2GB	4GB	4GB	8GB	8GB	
DIMM Native Speed (MHz)	1333	1600	1600	1333	1600	1333	1600	1333	1600	1333	1600	1333	1333	1600	
	LV	Std	Std	LV	Std	LV	Std	LV	Std	LV	Std	LV	LV	Std	
SLOTS THAT CAN BE POPULATED															
24 slot servers	24	24	24	24	24	24	24	24	16	16	16	16	16	16	
MAXIMUM CAPACITY (GB)*															
	96	96	192	192	192	384	384	768	32	32	64	64	128	128	
POPULATED DIMM SPEED (MHz)															
1 DIMM Per Channel	1333	1600	1600	1333	1600	1333	1600	1333***	1600	1333	1600	1333	1333	1600	
2 DIMM Per Channel	1333	1600	1600	1333	1600	1333	1600	1333***	1600	1333****	1600	1333****	1333****	1600	
3 DIMM Per Channel	1066**	1333##	1333##	1066**	1333##	1066**	1333##	1066	n/a	n/a	n/a	n/a	n/a	n/a	

NOTES:

Memory speed is a function of the processor QPI bus speed.

* Maximum capacity will vary based on individual server platform qualification schedule

** For HP SmartMemory, RDIMM support 3DPC@1066 at 1.35V. Third party memory may only support up to 3DPC@1066 at 1.5V.

*** LRDIMM enables 3 DIMMs per channel. HP SmartMemory will support up to 3DPC@1066 at 1.35V. Third party memory may only support 3DPC @1066 at 1.5V.

**** For HP SmartMemory, UDIMM is supported at 2DPC@1333. Third party memory may only support up to 2DPC@1066

RBSU setting required

Memory Speed by Processor Model

Processor Models

E5-2680, E5-2670, E5-2667, E5-2665, E5-2660, E5-2650, E5-2650L

E5-2640, E5-2630, E5-2630L, E5-2620

E5-2609, E5-2603

Supported Memory Speeds

1600/1333/1066MHz

1333/1066MHz

1066MHz



Memory

Standard and Maximum Memory Capacity (Pre-configured Models)			
Pre Configured Models	Standard Memory	Maximum Memory Plus Optional Memory	Standard Memory Replaced with Optional Memory
Intel Xeon E5-2640	16GB (4x 4GB)	336GB (20x16GB, 4x4GB)	768GB (24 x 32GB)
Intel Xeon E5-2620	8GB (2x 4GB)	360GB (22x16GB, 2x4GB)	768GB (24 x 32GB)
Intel Xeon E5-2603	4GB (1x 4GB)	372GB (23x16GB, 1x4GB)	768GB (24 x 32GB)

DIMM slot and configuration diagrams

Basic memory slot & population diagram

- Population order; start with "A" first, "B" second, "C" third, etc.

24 DIMM SLOTS (12 per CPU node)					
	CPU1		CPU2		
	slot #	population order	slot #	population order	
Chnl 1	1	A	1	C	Chnl 1
	2	E	2	G	
	3	I	3	K	
Chnl 2	4	B	4	D	Chnl 2
	5	F	5	H	
	6	J	6	L	
Chnl 3	7	L	7	J	Chnl 3
	8	H	8	F	
	9	D	9	B	
Chnl 4	10	K	10	I	Chnl 4
	11	G	11	E	
	12	C	12	A	

Standard memory configuration (1 CPU model)

- 8GB, consisting of four (4) 2GB dual-rank PC3-10600 UDIMMs

Memory

	CPU1		CPU2		
	slot #	population order	slot #	population order	
Chnl 1	1	A; 2GB DIMM	1	C; empty	Chnl 1
	2	E; empty	2	G; empty	
	3	I; empty	3	K; empty	
Chnl 2	4	B; 2GB DIMM	4	D; empty	Chnl 2
	5	F; empty	5	H; empty	
	6	J; empty	6	L; empty	
Chnl 3	7	L; empty	7	J; empty	Chnl 3
	8	H; empty	8	F; empty	
	9	D; 2GB DIMM	9	B; empty	
Chnl 4	10	K; empty	10	I; empty	Chnl 4
	11	G; empty	11	E; empty	
	12	C; 2GB DIMM	12	A; empty	

Standard memory plus optional memory (1 CPU model)

- 60GB, consisting of three (3) 4GB RDIMMs plus six (6) 8GB RDIMMs
- 3x 4GB dual-rank PC3-10600 RDIMMs
- 6x 8GB dual-rank PC3-10600 RDIMMs

	CPU1		CPU2		
	slot #	population order	slot #	population order	
Chnl 1	1	A; 4GB DIMM	1	C; empty	Chnl 1
	2	E; 8GB DIMM	2	G; empty	
	3	I; 8GB DIMM	3	K; empty	
Chnl 2	4	B; 4GB DIMM	4	D; empty	Chnl 2
	5	F; 8GB DIMM	5	H; empty	
	6	J; empty	6	L; empty	
Chnl 3	7	L; empty	7	J; empty	Chnl 3
	8	H; 8GB DIMM	8	F; empty	
	9	D; 8GB DIMM	9	B; empty	
Chnl 4	10	K; empty	10	I; empty	Chnl 4
	11	G; 8GB DIMM	11	E; empty	
	12	C; 4GB DIMM	12	A; empty	

Standard memory replaced with optional memory (1 CPU model)

RDIMM maximum configuration

- 192GB, consisting of twelve (12) 16GB quad-rank PC3L-10600 RDIMMs

Memory

	CPU1		CPU2		
	slot #	population order	slot #	population order	
Chnl 1	1	A; 16GB DIMM	1	C; empty	Chnl 1
	2	E; 16GB DIMM	2	G; empty	
	3	I; 16GB DIMM	3	K; empty	
Chnl 2	4	B; 16GB DIMM	4	D; empty	Chnl 2
	5	F; 16GB DIMM	5	H; empty	
	6	J; 16GB DIMM	6	L; empty	
Chnl 3	7	L; 16GB DIMM	7	J; empty	Chnl 3
	8	H; 16GB DIMM	8	F; empty	
	9	D; 16GB DIMM	9	B; empty	
Chnl 4	10	K; 16GB DIMM	10	I; empty	Chnl 4
	11	G; 16GB DIMM	11	E; empty	
	12	C; 16GB DIMM	12	A; empty	

UDIMM maximum configuration (1 CPU model)

- 64GB, consisting of eight (8) 4GB dual-rank PC3-10600 UDIMMs

	CPU1		CPU2		
	slot #	population order	slot #	population order	
Chnl 1	1	A; 8GB DIMM	1	C; empty	Chnl 1
	2	E; 8GB DIMM	2	G; empty	
	3	I; empty	3	K; empty	
Chnl 2	4	B; 8GB DIMM	4	D; empty	Chnl 2
	5	F; 8GB DIMM	5	H; empty	
	6	J; empty	6	L; empty	
Chnl 3	7	L; empty	7	J; empty	Chnl 3
	8	H; 8GB DIMM	8	F; empty	
	9	D; 8GB DIMM	9	B; empty	
Chnl 4	10	K;	10	I; empty	Chnl 4
	11	G; 8GB DIMM	11	E; empty	
	12	C; 8GB DIMM	12	A; empty	

Standard memory replaced with optional memory (2 CPU model)

RDIMM maximum configuration

- 768GB, consisting of twenty-four (24) 32GB quad-rank PC3-10600 LRDIMMs DDR3 Registered (LRDIMM) memory, operating at 1333MHz or 1066MHz when populated at 3 DIMMs per Channel in 24 slots.

Memory

	CPU1		CPU2		
	slot #	population order	slot #	population order	
Chnl 1	1	A; 32GB DIMM	1	A; 32GB DIMM	Chnl 1
	2	E; 32GB DIMM	2	E; 32GB DIMM	
	3	I; 32GB DIMM	3	I; 32GB DIMM	
Chnl 2	4	B; 32GB DIMM	4	B; 32GB DIMM	Chnl 2
	5	F; 32GB DIMM	5	F; 32GB DIMM	
	6	J; 32GB DIMM	6	J; 32GB DIMM	
Chnl 3	7	L; 32GB DIMM	7	L; 32GB DIMM	Chnl 3
	8	H; 32GB DIMM	8	H; 32GB DIMM	
	9	D; 32GB DIMM	9	D; 32GB DIMM	
Chnl 4	10	K; 32GB DIMM	10	K; 32GB DIMM	Chnl 4
	11	G; 32GB DIMM	11	G; 32GB DIMM	
	12	C; 32GB DIMM	12	C; 32GB DIMM	

UDIMM maximum configuration (2 CPU model)

- 128GB, consisting of sixteen (16) 8GB dual-rank PC3-10600E DDR3 Unbuffered (UDIMM) memory operating at 1333MHz when populated at 2 DIMMs per Channel in 16 slots

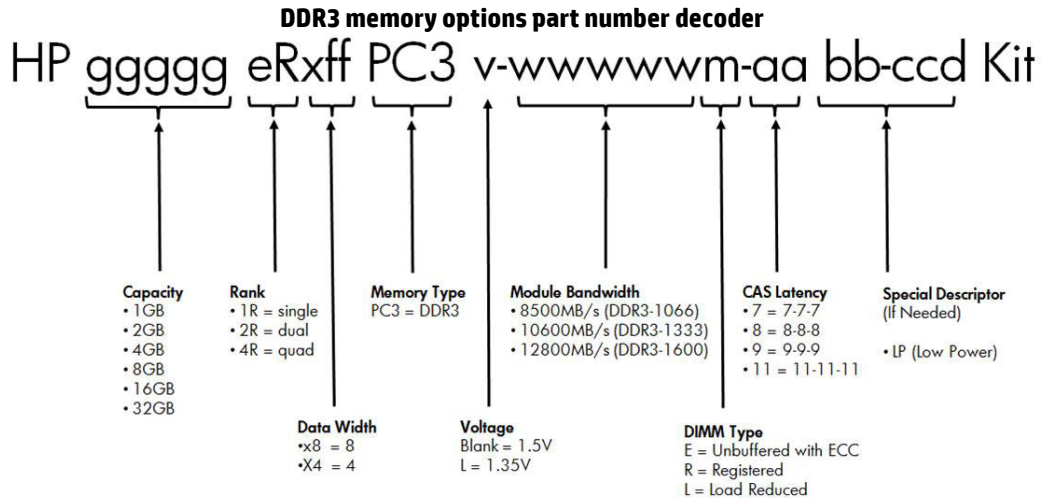
	CPU1		CPU2		
	slot #	population order	slot #	population order	
Chnl 1	1	A; 8GB DIMM	1	C; 8GB DIMM	Chnl 1
	2	E; 8GB DIMM	2	G; 8GB DIMM	
	3	I; empty	3	K; empty	
Chnl 2	4	B; 8GB DIMM	4	D; 8GB DIMM	Chnl 2
	5	F; 8GB DIMM	5	H; 8GB DIMM	
	6	J; empty	6	L; empty	
Chnl 3	7	L; empty	7	J; empty	Chnl 3
	8	H; 8GB DIMM	8	F; 8GB DIMM	
	9	D; 8GB DIMM	9	B; 8GB DIMM	
Chnl 4	10	K; empty	10	I; empty	Chnl 4
	11	G; 8GB DIMM	11	E; 8GB DIMM	
	12	C; 8GB DIMM	12	A; 8GB DIMM	

NOTE: Capacity references are rounded to the common Gigabyte values.

- 1GB = 1024MB
- 2GB = 2048MB
- 4GB = 4096MB

Memory

- 8GB = 8192MB
- 16 GB=16384MB
- 32GB = 32768MB



Following are memory options available from HP:

HP Memory

NOTE: HP memory from previous generation servers are not qualified or warranted with this HP ProLiant Server. HP SmartMemory is required to realize the memory performance improvements and enhanced functionality listed in this document for Gen8. For additional information, please see the HP SmartMemory QuickSpecs at: http://h18000.www1.hp.com/products/quickspecs/14225_div/14225_div.html

NOTE: LRDIMM, RDIMM and UDIMMs are all distinct memory technologies and cannot be mixed within a server. The majority of ProLiant Gen8 servers support RDIMM, UDIMM and LRDIMM.

Registered DIMMs (RDIMMs)

HP 4GB (1x4GB) Single Rank x4 PC3L-10600R (DDR3-1333) Registered CAS-9 Low Voltage Memory Kit	647893-B21
HP 4GB (1x4GB) Single Rank x4 PC3-12800R (DDR3-1600) Registered CAS-11 Memory Kit	647895-B21
HP 8GB (1x8GB) Dual Rank x4 PC3L-10600R (DDR3-1333) Registered CAS-9 Low Voltage Memory Kit	647897-B21
HP 8GB (1x8GB) Single Rank x4 PC3-12800R (DDR3-1600) Registered CAS-11 Memory Kit	647899-B21
HP 8GB (1x8GB) Dual Rank x4 PC3-12800R (DDR3-1600) Registered CAS-11 Memory Kit	690802-B21
HP 16GB (1x16GB) Dual Rank x4 PC3L-10600R (DDR3-1333) Registered CAS-9 Low Voltage Memory Kit	647901-B21
HP 16GB (1x16GB) Dual Rank x4 PC3-12800R (DDR3-1600) Registered CAS-11 Memory Kit	672631-B21

Unbuffered with ECC DIMMs (UDIMMs)

Memory

HP 2GB (1x2GB) Single Rank x8 PC3-12800E (DDR3-1600) Unbuffered CAS-11 Memory Kit	669320-B21
HP 2GB (1x2GB) Single Rank x8 PC3L-10600E (DDR3-1333) Unbuffered CAS-9 Low Voltage Memory Kit	647905-B21
HP 4GB (1x4GB) Dual Rank x8 PC3-12800E (DDR3-1600) Unbuffered CAS-11 Memory Kit	669322-B21
HP 4GB (1x4GB) Dual Rank x8 PC3L-10600E (DDR3-1333) Unbuffered CAS-9 Low Voltage Memory Kit	647907-B21
HP 8GB (1x8GB) Dual Rank x8 PC3-12800E (DDR3-1600) Unbuffered CAS-11 Memory Kit	669324-B21
HP 8GB (1x8GB) Dual Rank x8 PC3L-10600E (DDR3-1333) Unbuffered CAS-9 Low Voltage Memory Kit	647909-B21
Load Reduction DIMMs (LRDIMMs)	
HP 32GB (1x32GB) Quad Rank x4 PC3L-10600L (DDR3-1333) Load Reduced CAS-9 Low Voltage Memory Kit	647903-B21

NOTE: All DDR3 memory option kits consist of one DIMM per kit. For detailed memory configuration rules and guidelines, please use the Online DDR3 Memory Configuration Tool: www.hp.com/go/ddr3memory-configurator.

NOTE: Depending on the memory configuration and processor model, 1600MHz and 1333MHz memory may operate at a lower speed. Please see the "Memory" section later in this document and the Online Memory Configuration Tool for details at: www.hp.com/go/ddr3memory-configurator.

NOTE: For additional memory rules and guidelines, see the "Memory" section later in this document.

NOTE: For more information on ProLiant Energy Efficient Features, see: www.hp.com/go/proliant-energy-efficient.

NOTE: PC3L is a low voltage memory.

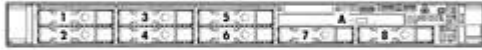
NOTE: Not all Intel E5 processor series support 1600MHz or 1333MHz speeds. Memory speed is a function of the processor QPI speed.

Storage



1-4 Four LFF Hot-plug SAS/SATA hard drive bays

A Optional DVD-ROM, or DVD RW



1-8 Eight SFF Hot-plug SATA/SAS hard drive bays

A Optional DVD-ROM, or DVD RW

Drive Support

External Storage

	Quantity Supported	Position Supported	Host Controller or Adapter
D2600 Disk Enclosure	Up to 4	External	HP Smart Array P222/512MB FBWC Controller
	Up to 8	External	HP Smart Array P421/1GB FBWC Controller HP Smart Array P421/2GB FBWC Controller
D2700 Disk Enclosure	Up to 2	External	HP Smart Array P222/512MB FBWC Controller
	Up to 4	External	HP Smart Array P421/1GB FBWC Controller HP Smart Array P421/2GB FBWC Controller

Technical Specifications

System Unit	Dimensions (H x W x D) (with bezel)	4 LFF	1.7" (43.2mm) Height x 17.1" (434.6mm) Width x 29.5" (750mm) Length			
		8 SFF	1.7" (43.2mm) Height x 17.1" (434.6mm) Width x 27.5" (699mm) Length			
	Weight (approximate)	Maximum (all hard drives, power supplies, and processors installed)	33.00 lb (15.2kg)			
		Minimum (one hard drive, power supply, and processor installed)	31 lb (14.1kg)			
	Input Requirements (per power supply)	Rated Line Voltage	100 to 120 VAC, 200 to 240 VAC			
		Rated Input Current	10 A at 100 VAC 5 A at 200 VAC			
		Rated Input Frequency	50 Hz to 60 Hz			
	BTU Rating	Rated Input Power	562 W at 100V AC input 562 W at 200V AC input			
		Maximum	500W	1917 at 100 V AC 1898 at 115 V AC 1856 at 200 V AC 1850 at 230 V AC		
			460W	1764 at 100V AC 1736 at 115V AC 1694 at 200V AC 1687 at 230V AC		
			750W	2878 at 100 V AC 2834 at 115 V AC 2769 at 200 V AC 2758 at 230 V AC		
		Power Specifications	To review typical system power ratings use the Power Advisor which is available via the online tool located at URL: www.hp.com/go/proliant-energy-efficient Or www.hp.com/go/hppoweradvisor			
			- Click on the system of interest. Example: DL160 G8 - Follow the instructions of the next screens.			
	Power Supply Output (per power supply)	Rated Steady-State Power	500 Watts (at 100 VAC), 500 Watts (at 200 VAC)			
		Maximum Peak Power (See Power Specifications Tables)	500Watts (at 100 VAC), 500 Watts (at 200 VAC)			
	System Inlet Temperature	Operating	10° to 35°C (50° to 95°F) at sea level with an altitude derating of 1.0°C per every 305 m (1.8°F per every 1000 ft) above sea level to a maximum of 3050 m (10,000 ft), no direct sustained			

Technical Specifications

		sunlight. Maximum rate of change is 10°C/hr (18°F/hr). The upper limit may be limited by the type and number of options installed. System performance may be reduced if operating with a fan fault or above 30°C (86°F).
Relative Humidity (non-condensing)	Non-operating	-30° to 60°C (-22° to 140°F). Maximum rate of change is 20°C/hr (36°F/hr).
	Operating	10 to 90% relative humidity (Rh), 28°C (82.4°F) maximum wet bulb temperature, non-condensing.
Altitude	Non-operating	5% to 95% relative humidity (Rh), 38.7° C (101.7° F) maximum wet bulb temperature, non-condensing
	Operating	30480 m (10,000 ft). This value may be limited by the type and number of options installed. Maximum allowable altitude change rate is 457 m/min (1500 ft/min).
Acoustic Noise	Non-operating	9144 m (30,000 ft). Maximum allowable altitude change rate is 457 m/min (1500 ft/min).
		Listed are the declared A-Weighted sound power levels (LWAd) and declared average bystander position A-Weighted sound pressure levels (LpAm) when the product is operating in a 23°C ambient environment. Noise emissions were measured in accordance with ISO 7779 (ECMA 74) and declared in accordance with ISO 9296 (ECMA 109). NOTE: The listed sound levels apply to standard shipping configurations. Additional options may result in increased sound levels.
	Idle	
	LWAd	5.3 B (1P SKU) 5.3 B (2P SKU)
	LpAm	36 dBA (1P SKU) 36 dBA (2P SKU)
	Operating	
	LWAd	5.3 B (1P SKU) 5.9 B (2P SKU)
	LpAm	37 dBA (1P SKU) 42 dBA (2P SKU)
Emissions Classification (EMC)	FCC Rating	Class A
	Normative Standards	CISPR 22; EN55022; EN55024; FCC CFR 47, Pt 15; ICES-003; CNS13438; GB9254; K22;K24; EN 61000-3-2; EN 61000-3-3; EN 60950-1; IEC 60950-1

NOTE: Product conformance to cited product specifications is based on sample (type) testing, evaluation, or assessment. This product or family of products is eligible to bear the appropriate compliance logos and statements.

Technical Specifications

HP Ethernet 1Gb 2-port 361i Adapter	Network Interface Capability	10Base-T/100Base-TX/1000Base-TX IEEE 802.3 10Base-T IEEE 802.3ab 1000Base-T IEEE 802.3u 100Base-TX IEEE 1588, IEEE 802.1AS	
	Data Transfer Method	PCI Express v 2.1, 5.0 GT/s and 2.5 GT/s bus speeds and supports for x1, x2, x4 links widths (Lanes)	
	Controller	I350 Powerville	
	Network Transfer Rate	10Base-T (Half-Duplex)	10 Mb/s per port, 20 Mb/s Combined
		10Base-T (Full-Duplex)	20 Mb/s per port, 40 Mb/s Combined
		100Base-TX (Half-Duplex)	100 Mb/s per port, 200 Mb/s Combined
		100Base-TX (Full-Duplex)	200 Mb/s per port, 400 Mb/s Combined
		1000Base-TX (Half and Full-Duplex)	1000Mb/s per port, 2000 Mb/s Combined
	Connector	RJ-45	
	Cable Support	10Base-T Categories 3, 4 or 5 UTP; up to 328 ft (100 m)	
10/100/1000Base-TX Category 5 UTP; up to 328 ft (100 m)			

HP Dynamic Smart Array B120i Controller	Dimensions	Embedded	
	Disk Drive and Enclosure Interface - Transfer rate	Up to 6Gb/s SATA (Serial ATA)	
	Connectors	6 internal SATA connectors	
	Server Interface	x4 PCIe 2.0	
	SATA Speed	6Gb/s SATA links	
	Cache Memory	Zero Memory RAID has no cache memory	
	Logical Drives Supported	Up to 8 logical volumes (6 physical drives)	
	Host Memory Addressing	64-bit, supporting greater than 4GB server memory space	
	Hot Plug Support	Yes	
	RAID Support	RAID 0 (Striping), RAID 1 (Mirroring) RAID 1+0 (Striping & Mirroring)	

Technical Specifications

**Environment-friendly
Products and Approach****End-of-life Management
and Recycling**

Hewlett-Packard offers end-of-life HP product return, trade-in, and recycling programs in many geographic areas. For trade-in information, please go to: <http://www.hp.com/go/green>. To recycle your product, please go to: <http://www.hp.com/go/green> or contact your nearest HP sales office. Products returned to HP will be recycled, recovered or disposed of in a responsible manner.

The EU WEEE directive (2002/95/EC) requires manufacturers to provide treatment information for each product type for use by treatment facilities. This information (product disassembly instructions) is posted on the Hewlett Packard web site at: <http://www.hp.com/go/green>. These instructions may be used by recyclers and other WEEE treatment facilities as well as HP OEM customers who integrate and re-sell HP equipment.

© Copyright 2013 Hewlett-Packard Development Company, L.P.

The information contained herein is subject to change without notice.

Microsoft and Windows NT are US registered trademarks of Microsoft Corporation. Intel, the Intel logo, Xeon and Xeon Inside are trademarks of Intel Corporation in the U.S. and other countries.

The only warranties for HP products and services are set forth in the express warranty statements accompanying such products and services. Nothing herein should be construed as constituting an additional warranty. HP shall not be liable for technical or editorial errors or omissions contained herein.

For hard drives, 1GB = 1 billion bytes. Actual formatted capacity is less.