



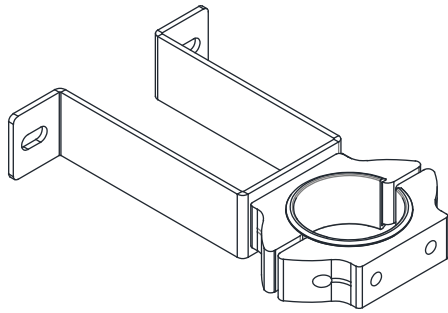
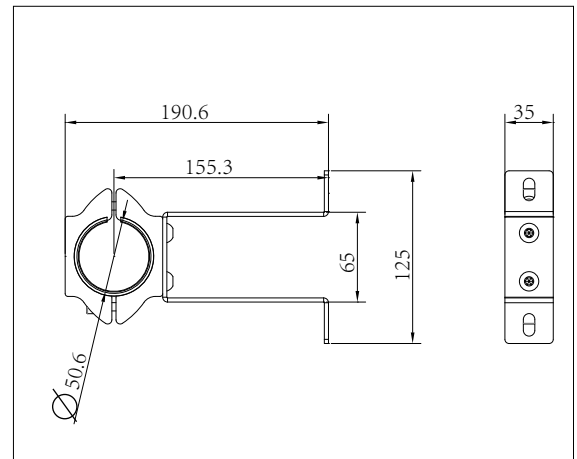
Technical Summary

EAN: 7350073734177

COMPONENT CHECKLIST

Item	Name	QTY
A	Pole Clamp wall bracket	1
B	Lag bolt	2
C	Anchor	2
D	Ø16XØ8.2X1.5	2
E	Allen key 6mm	1

PRODUCT DIMENSIONS



A



B



C



D



E

PRODUCT DIMENSIONS

