

FUJITSU Tablet STYLISTIC Q704



Congratulations on your purchase of an innovative product from Fujitsu.

The latest information about our products, tips, updates etc. can be found on the Internet at: ["http://www.fujitsu.com/fts/"](http://www.fujitsu.com/fts/)

For automatic driver updates, go to: ["http://support.ts.fujitsu.com/download"](http://support.ts.fujitsu.com/download)

Should you have any technical questions, please contact:

- our Hotline/Service Desk (see the Service Desk list or visit: ["http://support.ts.fujitsu.com/contact/servicedesk"](http://support.ts.fujitsu.com/contact/servicedesk))
- Your sales partner
- Your sales office

We hope you enjoy working with your new Fujitsu system!



Published by / Contact address in the EU

Fujitsu Technology Solutions GmbH

Mies-van-der-Rohe-Straße 8

80807 Munich, Germany

["http://www.fujitsu.com/fts/"](http://www.fujitsu.com/fts/)

Copyright

© Fujitsu Technology Solutions GmbH 2013. All rights reserved.

Publication Date

11/2013

Order No.: A26391-K398-Z320-1-7619, edition 1

FUJITSU Tablet STYLISTIC Q704

Operating manual

Innovative technology	7
Ports and controls	9
Important notes	12
First-time setup of your device	20
Working with the Tablet PC	24
Accessories for your Tablet PC (optional)	46
Security functions	62
Connecting external devices	69
Settings in BIOS Setup Utility	73
Troubleshooting and tips	76
Technical data	84
Manufacturer's notes	88
Index	94

Remarks

Information on the product description meets the design specifications of Fujitsu and is provided for comparison purposes. Several factors may cause the actual results to differ. Technical data is subject to change without prior notification. Fujitsu rejects any responsibility with regard to technical or editorial mistakes or omissions.

Trademarks

Fujitsu, the Fujitsu logo and STYLISTIC are registered trademarks of Fujitsu Limited or its subsidiaries in the United States of America and other countries.

Microsoft and Windows are trademarks or registered trademarks of the Microsoft Corporation in the United States and/or other countries.

Adobe Reader is a trademark of Adobe Systems Incorporated.

Sony and Memory Stick are registered trademarks of Sony Electronics, Inc.



Made under license from DTS Licensing Limited. DTS and the symbol are registered trademarks and & DTS Boost is a trademark of DTS, Inc. Product contains software. © DTS, Inc. All rights reserved.

All other trademarks specified here are the property of their respective owners.

Copyright

No part of this publication may be copied, reproduced or translated without the prior written consent of Fujitsu.

No part of this publication may be saved or transferred by any electronic means without the written approval of Fujitsu.

Contents

Innovative technology	7
Further information	7
Notational conventions	8
Ports and controls	9
Important notes	12
Safety notes	12
Additional safety notes for devices with radio components	12
Protecting the display screen	13
Energy saving	13
Energy saving under Windows	13
Travelling with your Tablet PC	14
Before you travel	14
Transporting the Tablet PC	14
Watertight/dust-protected (device-dependent)	15
Cleaning the Tablet PC	16
Further information on cleaning the Tablet PC	18
Cleaning with disinfectant wipes	19
First-time setup of your device	20
Unpacking and checking the device	20
Selecting a location	21
Mains adapter connecting	21
Switching on the device for the first time	22
Working with the Tablet PC	24
Status indicators	24
Switching on the Tablet PC	25
Programming the ON/OFF switch	25
Switching off the Tablet PC	26
Handwriting recognition	26
Touchscreen	27
Select display orientation (portrait or landscape orientation)	28
Using fingers	28
Calibrate the Dual Digitizer for finger-based operation of the device.	28
Actions with one finger (Windows 8.1 Modern)	29
Actions with one finger (Windows 7 / Windows 8.1 Desktop)	31
Actions with two fingers (Windows 7 / Windows 8.1 Desktop)	32
Using the stylus pen	33
Pen position	35
Setting the pen	35
Calibrating the pen	36
Installing a pen cord	36
Tablet buttons	37
Webcam	37
Rechargeable battery	38
Charging and maintaining the battery	38
Using the power-management features	39
Memory cards	40
Supported formats	40
Inserting the memory card	40

Removing the memory card	41
SIM card	42
Inserting the SIM card	42
Removing the SIM card	43
Wireless LAN/Bluetooth/UMTS/LTE radio components	44
Switching the wireless components on and off	44
Setting up WLAN access	44
Access via UMTS / LTE	44
Ethernet and LAN (only with Multi-functional Cradle or Keyboard Docking)	45
GPS	45
Accessories for your Tablet PC (optional)	46
Your Multi-functional Cradle (optional)	47
Cradle components	47
Setting up the Cradle	48
Connecting the Tablet PC to the Cradle	48
Disconnecting the Tablet PC from the Cradle	50
Slice Keyboard (optional)	51
Slice Keyboard components	51
Connecting the Tablet PC to the Slice Keyboard	52
Disconnecting the Tablet PC from the Slice Keyboard	53
Keyboard Docking (optional)	54
Keyboard Docking components	54
Connecting the Tablet PC to the Keyboard Docking	56
Disconnecting the Tablet PC from the Keyboard Docking	57
VESA mount (optional)	58
Hand strap (optional)	59
Shoulder strap (optional)	60
Security functions	62
Configuring the fingerprint sensor	63
Configuring password protection in BIOS Setup Utility	64
Protecting BIOS Setup Utility (supervisor and user password)	64
Password protection for booting of the operating system	65
Password protection for the hard disk	66
SmartCard reader (optional)	67
Inserting the SmartCard	67
Trusted Platform Module (TPM) (device-dependent)	68
Enabling TPM	68
Disabling TPM	68
Connecting external devices	69
Connecting an external monitor	70
HDMI port (only Multi-functional Cradle and Keyboard Docking)	70
VGA monitor port (only Multi-functional Cradle and Keyboard Docking)	70
Connecting USB devices	71
How to remove USB devices correctly	71
Headphone port	72
Settings in BIOS Setup Utility	73
Starting the BIOS Setup Utility	73
Operating BIOS Setup Utility	74
Exiting BIOS Setup Utility	75
Exit Saving Changes - save changes and exit BIOS Setup Utility	75

Exit Discarding Changes – Discard changes and exit BIOS Setup Utility	75
Load Setup Defaults – Copy Standard Entries	75
Discard Changes – Discard changes without exiting the BIOS Setup Utility	75
Save Changes - save changes without exiting the BIOS Setup Utility	75
Save Changes and Power Off	75
Troubleshooting and tips	76
Help if problems occur	76
The Tablet PC's date or time is incorrect	77
Battery indicator does not illuminate	77
The Tablet PC's touchscreen remains dark	77
The display on the Tablet PC's touchscreen is difficult to read	77
The external monitor remains blank	78
The external monitor is blank or the image is unstable	78
The cursor does not correctly follow the pen movements	78
Pen input not working	79
The Tablet PC does not start after switch on	79
The Tablet PC stops working	79
The printer does not print	80
The radio connection to a network does not work	80
The battery discharges too quickly	80
SmartCard reader is not recognised	81
SmartCard PIN forgotten	81
User and/or supervisor SmartCard lost	81
SmartCard lost	81
Acoustic warnings	82
Error messages on the screen	82
Technical data	84
Tablet PC	84
Rechargeable battery	85
Mains adapter (65 W)	85
Multi-functional Cradle (optional)	85
Slice Keyboard (optional)	86
Keyboard Docking (optional)	86
VESA mount (optional)	86
Hand strap (optional)	87
Shoulder strap (optional)	87
Manufacturer's notes	88
Disposal and recycling	88
Declarations of Conformity	88
CE marking	88
Regulatory notices	89
Regulatory information for Tablet PCs without radio device	89
DOC (Industry CANADA) notices	90
FCC Regulatory information for Tablet PCs with radio device	92
Index	94

Innovative technology

... and ergonomic design make your device a reliable and convenient companion.

The device boots very quickly, is ready for immediate use and offers a particularly long operating time because of its high capacity battery.

The user-friendly "BIOS Setup Utility" offers powerful password protection functions which can be used to control your Tablet PC's hardware and protect your system better against unauthorised use.



Information on the connections and controls for your Tablet PC can be found in chapter ["Ports and controls", Page 9](#).

Further information







The Windows drivers for your device can be found on our Internet site. The factory installation of your device does not support any other operating system. Fujitsu Technology Solutions accepts no liability whatsoever if any other operating system is used.

Software oriented components of these instructions refer to Microsoft products, if they come within the scope of the delivery.

If you install other software products, pay attention to the operating instructions of the manufacturer.

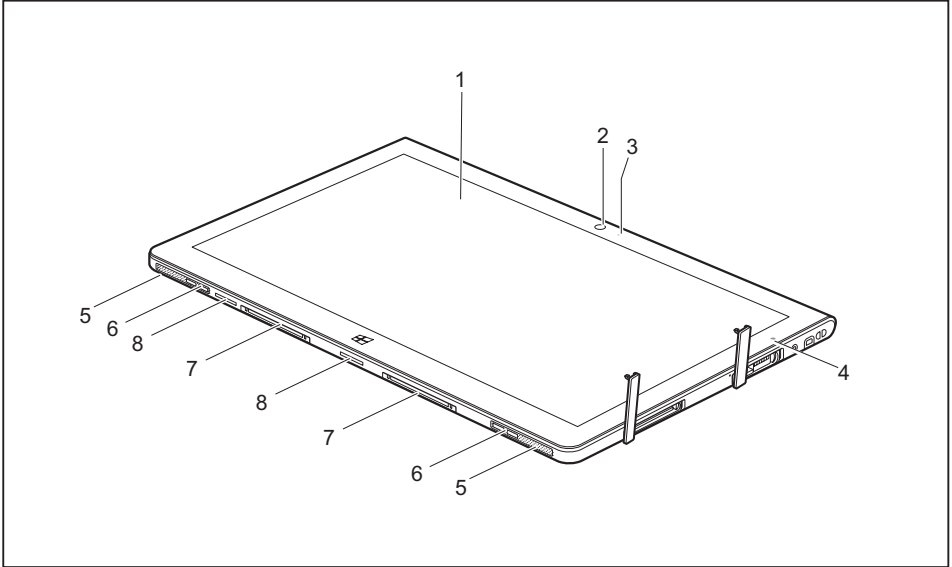
Notational conventions

	<p>Pay particular attention to text marked with this symbol. Failure to observe these warnings could pose a risk to health, damage the device or lead to loss of data. The warranty will be invalidated if the device becomes defective through failure to observe these warnings.</p>
	<p>Indicates important information for the proper use of the device.</p>
	<p>Indicates an activity that must be performed</p>
	<p>Indicates a result</p>
<p>This font</p>	<p>indicates data entered using the keyboard in a program dialogue or at the command line, e.g. your password (Name123) or a command used to start a program (start.exe)</p>
<p>This font</p>	<p>indicates information that is displayed on the screen by a program, e.g.: Installation is complete.</p>
<p><i>This font</i></p>	<p>indicates</p> <ul style="list-style-type: none"> • terms and texts used in a software interface, e.g.: Click on <i>Save</i> • names of programs or files, e.g. <i>Windows</i> or <i>setup.exe</i>.
<p>"This font"</p>	<p>indicates</p> <ul style="list-style-type: none"> • cross-references to another section, e.g. "Safety information" • cross-references to an external source, e.g. a web address: For more information, go to "http://www.fujitsu.com/fts/" • Names of CDs, DVDs and titles or designations for other materials, e.g.: "CD/DVD Drivers & Utilities" or "Safety/Regulations" manual
<p>Key</p>	<p>indicates a key on the keyboard, e.g: F10</p>
<p>This font</p>	<p>indicates terms and texts that are emphasised or highlighted, e.g.: Do not switch off the device</p>

Ports and controls

This chapter presents the individual hardware components of your device. It gives you an overview of the device's indicators and connections. Please familiarise yourself with these components before you start to work with the device.

Front



1 = Touchscreen

2 = Webcam

3 = Webcam LED

4 = Ambient light sensor

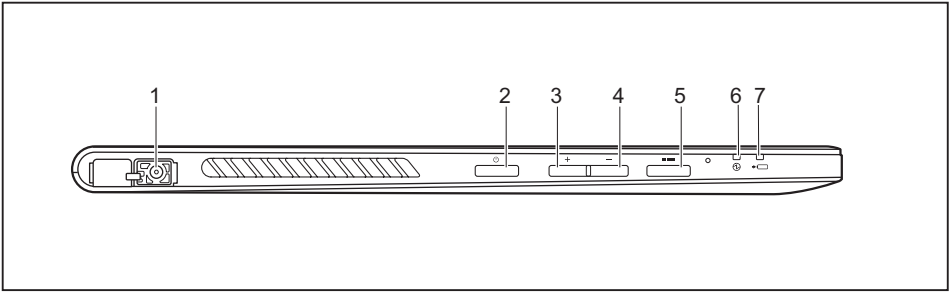
5 = Speaker

6 = Mechanical clip for Keyboard Docking /
Slice Keyboard / Cradle

7 = Docking connector

8 = Intake duct

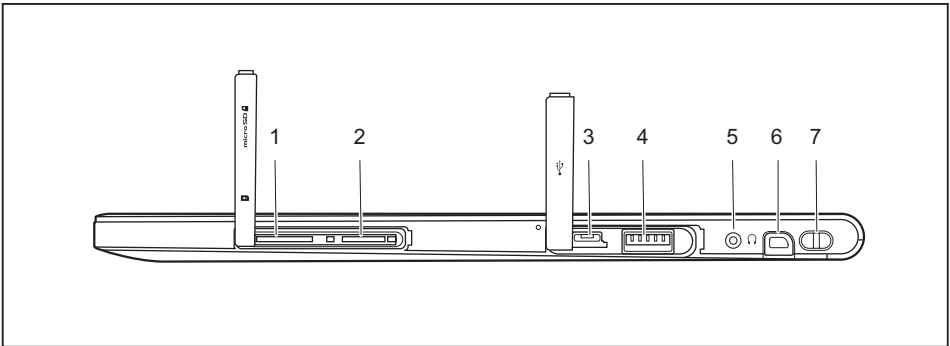
Left side



- 1 = DC input connector (DC IN, cover-protected)
- 2 = ON/OFF button
- 3 = Increase volume button
- 4 = Reduce volume button

- 5 = Shortcut button
- 6 = Power-on indicator
- 7 = Battery charging indicator

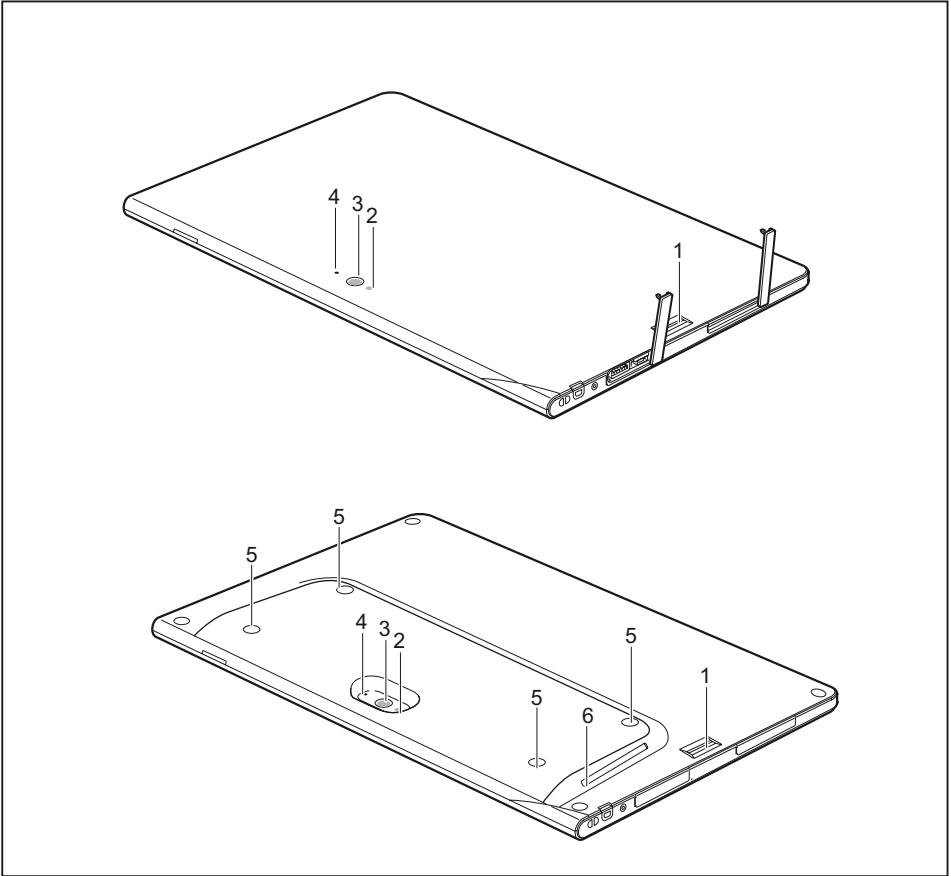
Right side



- 1 = SIM card slot (format: micro SIM, cover-protected)
- 2 = Memory card slot (format: micro SD, cover-protected)
- 3 = Micro USB port (cover-protected)

- 4 = USB port (USB 3.0, cover-protected)
- 5 = Headphone port (watertight)
- 6 = Pen slot
- 7 = Pen strap eyelet

Rear (3 options: watertight without screw holes, watertight with screw holes, not watertight with screw holes and SmartCard reader)



- 1 = Fingerprint sensor
- 2 = Camera light
- 3 = Webcam
- 4 = WebCam LED

- 5 = Screw holes (device-dependent) for accessory attachment
- 6 = SmartCard reader (device-dependent)

Important notes



This chapter contains essential safety information which must be followed when working with your Tablet PC. The other notes provide useful information on your Tablet PC.

Safety notes



Please follow the safety notes provided in the "Safety/Regulations" manual as well as the safety notes given below.

Please pay special attention to the sections in the manual marked with the symbol on the left.

When connecting and disconnecting cables, observe the relevant notes in this operating manual.

Read the information on the ambient conditions in the "[Technical data](#)", [Page 84](#) chapter and the information in the "[First-time setup of your device](#)", [Page 20](#) chapter before preparing your Tablet PC for use and switching it on for the first time.

When cleaning the device, please observe the relevant notes in the section "[Cleaning the Tablet PC](#)", [Page 16](#).

Pay attention to the additional safety notes for devices with radio components provided in the "Safety/Regulations" manual.

This Tablet PC complies with the relevant safety regulations for data processing equipment. If you have questions as to whether you can set up the Tablet PC in the intended environment, please contact your sales point or our hotline/help desk.

Additional safety notes for devices with radio components

If a radio component (Wireless LAN/ Bluetooth, UMTS/LTE) is integrated in your Tablet PC, you must be sure to observe the following safety precautions when using your Tablet PC:

- Switch off the radio components when you are in an aircraft or driving in a car.
- Switch off the radio components when you are in a hospital, an operating room or near a medical electronics system. The transmitted radio waves can impair the operation of medical devices.
- Switch off the radio components when you let the device get near flammable gases or into hazardous environments (e.g. petrol station, paintshops), as the transmitted radio waves can cause an explosion or a fire.



For information on how to switch radio components on and off, see chapter "[Switching the wireless components on and off](#)", [Page 44](#).

Protecting the display screen



Depending on the configuration, your device might not be watertight. In this case, do not pour liquids on the system or wash it with a heavily soaked cloth. Do not place items on the top of the display, or damage may occur.

During normal use of the device, small particles from the environment can become embedded in the pen tip and scratch the screen. The warranty does not cover a scratched screen.

Energy saving

If you will not be using your Tablet PC, switch it off. Switch off any connected external devices when they are not in use. If you use the energy saving functions, the Tablet PC uses less power. You will then be able to work for longer before having to recharge the battery.



Energy efficiency is increased and the environmental impact is reduced. You save money while protecting the environment.

Energy saving under Windows

- ▶ Make use of the power management features (see ["Using the power-management features", Page 39](#)).

Travelling with your Tablet PC

Please observe the points listed below when travelling with your Tablet PC.

Before you travel

- ▶ Back up important data stored on your hard disk.
- ▶ Switch off the radio component for data security reasons. With data traffic via a wireless connection, it is also possible for unauthorised third parties to receive data.



Information on activating data encryption is provided in the documentation for your radio component.

- ▶ If you want to use your Tablet PC during a flight, first check with the flight attendants whether this is permissible.

When travelling in other countries

- ▶ If you are travelling abroad, check that the mains adapter can be operated with the local mains voltage. If this is not the case, obtain the appropriate mains adapter for your Tablet PC. Do not use any other voltage converter!
- ▶ Check whether the local mains voltage and the power cable are compatible. If this is not the case, buy a power cable that matches the local conditions.
- ▶ Enquire with the corresponding government office of the country you will be travelling in as to whether you may operate the radio component integrated in your Tablet PC there (also see ["CE marking", Page 88](#)).

Transporting the Tablet PC



Protect the Tablet PC from severe shocks and extreme temperatures (e.g., direct sunlight in a car).

- ▶ Switch off the Tablet PC.
- ▶ Unplug the mains adapter and all external devices from the power socket.
- ▶ Disconnect the mains adapter cable and the data cables for all external devices.
- ▶ To protect against damaging jolts and bumps, use a Tablet PC carrying case to transport your Tablet PC.

Watertight/dust-protected (device-dependent)



Depending on your configuration, your Tablet PC is watertight in accordance with IPX5 / IPX8 and dust-protected in accordance with IP5X (protective glass against dust deposits). The slot covers, however, must be securely sealed in the event of contact with water or dust.

Protection class IPX5 stipulates that the tablet can be operated normally after it has been sprayed with water for at least 3 minutes through an opening of 6.3 mm / 0.25" diameter and a flow rate of 12.5 l water per minute at a distance of approximately 3 m / 118.11".

Protection class IPX8 stipulates that your Tablet PC can be operated normally after it has been submerged in tap water for 30 minutes at room temperature and at a depth of 1.5 m / 59.05".

Protection class IP5X stipulates that the Tablet PC can be left in an environment with dust particles of up to 75 µm diameter for 8 hours and can then still be operated safely.



To ensure that the device remains watertight and dust-protected, the interface and DC IN covers must always remain sealed. Chapters "[SIM card](#)", [Page 42](#) and "[Memory cards](#)", [Page 40](#) describe how ports can be opened and securely sealed again. Otherwise, water could penetrate the Tablet PC and cause a malfunction.

Ensure that water in the headphones and microphone area is wiped away immediately, or else a malfunction or electric shock could occur.

If the Tablet PC comes into contact with salt water, soft drinks or sludge, it must be cleaned immediately.

Cleaning the Tablet PC



Always switch your Tablet PC off for cleaning.

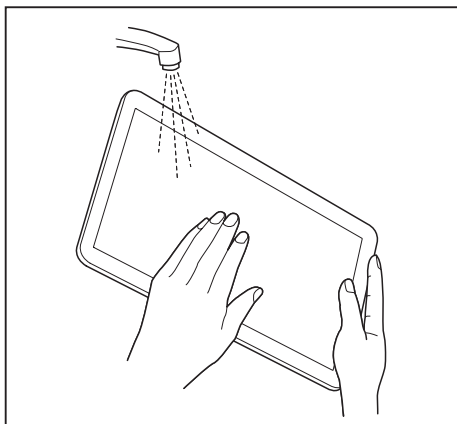
Depending on the selected rear cover option of your device, your Tablet PC is watertight and dust-protected. If in doubt, please check with your sales outlet. However, you should prevent water or dirt from penetrating the Tablet PC and prevent accessories from becoming wet or dusty.

AC adapter, Cradles, pen or other accessories are neither watertight nor dust-proof. Do not use them in a bathroom, in a very humid environment or in locations in which it can rain.

Only use cleaning products designed for computers. Conventional household cleaners and polishes can damage the label on the Tablet PC, the paint or the Tablet PC itself.

Only clean the display surface with a very soft, slightly damp cloth. Rough rubbing with a dry cloth can damage the screen. Residual water drops or dirt on the monitor can cause staining.

If the Tablet PC is cleaned with alcohol, thinner, petrol or solvent, the label can become illegible or the paint can start to bubble.



- ▶ Switch the Tablet PC off.
- ▶ Shower the Tablet PC from above with tap water and shield the connection covers with your hand.

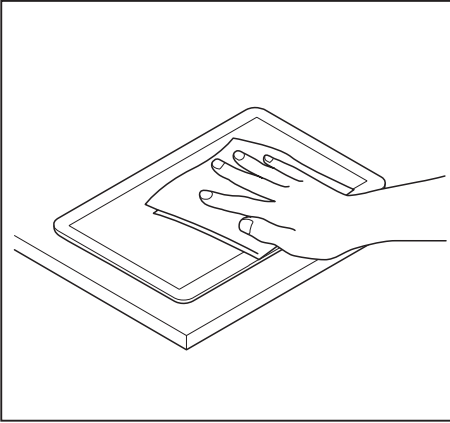


Do not use any brushes, sponges, cleaning agents, etc.

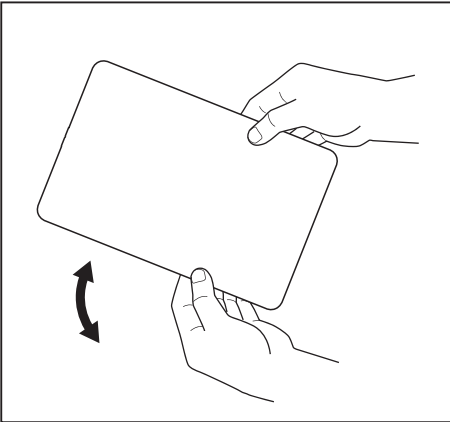
Do not use too heavy a flow of water.

Do not use hot water from the tap or shower.

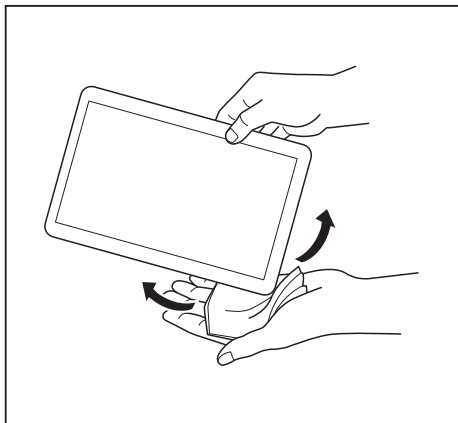
Do not use the Tablet PC if mud or sludge are stuck to it. First remove the dirt by holding the Tablet PC under running water several times.



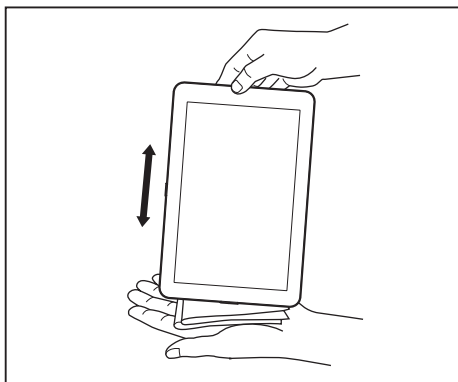
- ▶ After washing the Tablet PC, place it on a flat, solid surface and wipe away the moisture on the front and rear sides with a clean, dry cloth.



- ▶ Hold the Tablet PC firmly with both hands on the long side and shake it about ten times until no more water splashes out.
- ▶ Turn the Tablet PC by 180 degrees and shake it again about ten times until no more water splashes out.



- ▶ Wipe every corner of the Tablet PC about ten times on a clean, dry cloth to wipe out any remaining water from the recesses.



- ▶ Wipe the Tablet PC about ten times on a clean, dry cloth to wipe out any remaining water from the headphones/microphone socket.

- ▶ Wipe any remaining water with a clean, dry cloth and leave the device to dry in the air.



The casing surfaces can be cleaned with a dry cloth. If the Tablet PC is particularly dirty, use a damp cloth soaked in water with a mild cleaning agent, and well wrung out.

Do not clean the recesses directly with cotton buds.

Further information on cleaning the Tablet PC

The Tablet PC does not float.



If the Tablet PC is exposed to water or other liquids with its connections open, liquid can penetrate the Tablet PC and cause a malfunction. Do not continue to use the Tablet PC. Switch it off and contact our hotline/service desk (see enclosed list of service desks or go to our website at: "<http://support.ts.fujitsu.com/contact/service desk>").

Cleaning with disinfectant wipes

There are many ways of disinfecting surfaces. The following disinfectant wipes have been tested successfully with the Tablet PC:

- ECOLAB® Sani-Cloth Active (sensitive wet wipes without alcohol)
- ECOLAB® Incides N (alcohol-based)
- Bode® Mikrobac® Tissues (sensitive wet wipes without alcohol)
- Bode® Bacillo® Tissues (alcohol-based)
- Dr. Schumacher® Descosept® AF Wipes (alcohol-based)

i

For proper use of the disinfectant wipes, please also read the manufacturer's instructions.

Before use, please test the disinfectant wipe on a small area of the Tablet PC. Some medical disinfectant wipes may leave residue on the Tablet PC which is difficult to remove again, or dry out quickly. Therefore dispose of the wipes after one use and do not reuse them.

First-time setup of your device



Please read the chapter ["Important notes", Page 12.](#)

If your device is equipped with a Windows operating system, the necessary hardware drivers and supplied software are already pre-installed.

Before you switch on the device for the first time, connect it to the mains voltage using the mains adapter, see ["Mains adapter connecting", Page 21.](#) The mains adapter must be connected during the entire installation process.

A system test is performed when your device is first switched on. Various messages can appear. The display may remain dark for a short time or may flicker.

Please follow the instructions on the screen.

NEVER switch off your device during the first-time setup process.

The battery must be charged if you want to operate your device using the battery.

When used on the move, the built-in battery provides the device with the necessary power. You can increase the operating time by using the available energy-saving functions.

For instructions on how to connect external devices (e.g. mouse, printer) to your Tablet PC, please refer to the operating manual for your device.

Unpacking and checking the device



Should you discover any damage that occurred during transportation, notify your local sales outlet immediately!

- ▶ Unpack all the individual parts.
- ▶ Check your device for any visible damage which may have occurred during transportation.



You may need the packaging in the future, if you need to transport your device.

Selecting a location



Select a suitable location for the device before setting it up. Follow the instructions below when doing so:

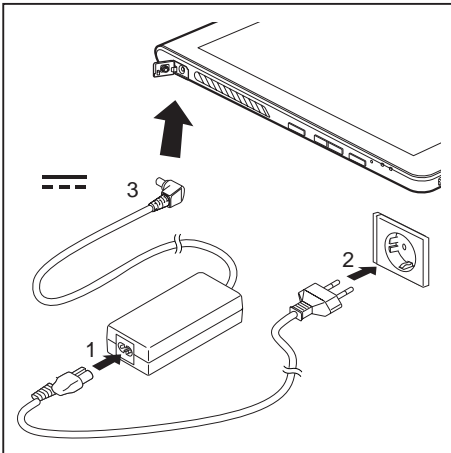
- Never place the device or the mains adapter on a heat-sensitive surface. The surface could be damaged as a result.
- Never place the device on a soft surface (e.g. carpeting, upholstered furniture, bed). This can cause overheating and damage.
- The underside of the device heats up during normal operation. Prolonged contact with the skin may become unpleasant or even result in burns.
- Place the device on a stable, flat, non-slippery surface. Please note that the rubber feet of the device may mark certain types of delicate surfaces.
- Keep other objects at least 100 mm away from the device and its mains adapter to ensure adequate ventilation.
- Do not expose the device to extreme environmental conditions. Protect the device from dust, humidity, and heat.

Mains adapter connecting



Observe the safety notes in the enclosed "Safety/Regulations" manual.

The supplied power cable conforms to the requirements of the country in which you purchased your device. Make sure that the power cable is approved for use in the country in which you intend to use it.



- ▶ Open the DC jack (DC IN) cover.
- ▶ Connect the power cable (1) to the mains adapter.
- ▶ Plug the mains cable (2) into a mains outlet.
- ▶ Connect the mains adapter cable (3) to the DC jack (DC IN) of the device.

Switching on the device for the first time

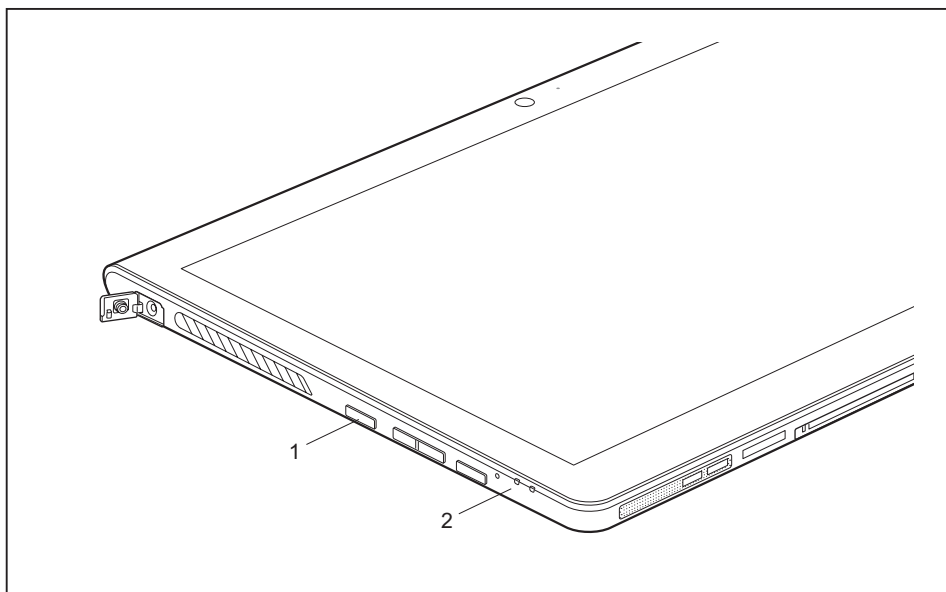


On devices with ON/OFF switch for wireless components: Slide the ON/OFF switch for wireless components to the ON position before switching on the device.

When you switch on the device for the first time, the supplied software is installed and configured. Because this procedure must not be interrupted, you should set aside enough time for it to be fully completed and connect the device to the mains using the mains adapter.

During the installation process, **DO NOT** restart the device unless you are requested to do so!

To make it easier to use your device for the first time, the operating system is pre-installed on the hard disk.



- ▶ Press the ON/OFF switch (1) for about one second to switch the device on.
- ↳ The power-on indicator (2) lights up whenever the system is switched on.
- ▶ During installation, follow the instructions on screen.



If a Windows operating system is installed on your device, you will find more information on the system and drivers, help programmes, updates, manuals etc. on the device. This information can also be found on the Internet at ["http://www.fujitsu.com/fts/support/"](http://www.fujitsu.com/fts/support/).

You can find information and help on the Windows operating system functions on the Internet at ["http://windows.microsoft.com"](http://windows.microsoft.com).

If a Windows 8.1 operating system is installed on your Tablet PC, a tutorial is automatically started when a new user logs on for the first time, which shows you how to use the new functions of Windows 8.1.

Working with the Tablet PC

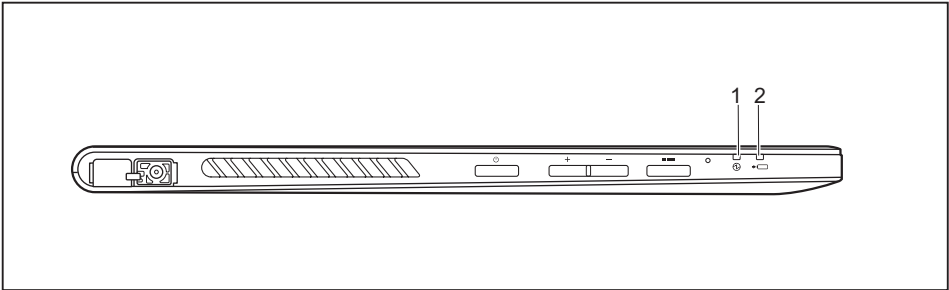
This chapter describes the basics for operating your Tablet PC. You can find instructions on how to connect external devices (e.g. mouse, flash memory) to the Tablet PC in the chapter ["Connecting external devices", Page 69](#).





Please refer to the notes in ["Important notes", Page 12](#).

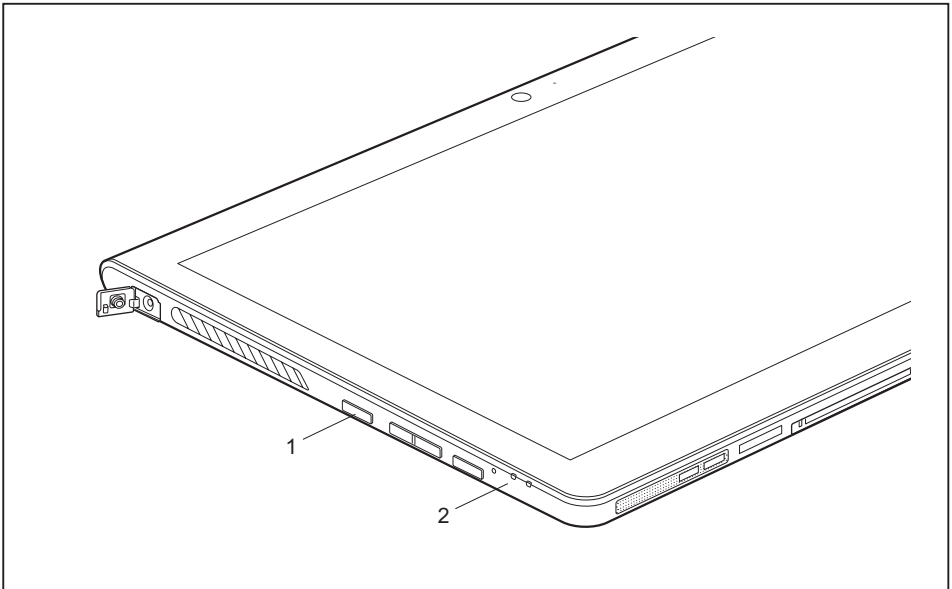
Status indicators

The status indicators (1, 2) provide information about the status of the power supply, the drives and the keyboard functions etc.



Status displays	Description
	<p>Power-on indicator</p> <ul style="list-style-type: none"> The indicator lights up blue: The Tablet PC is switched on. The indicator flashes blue: The Tablet PC is in sleep mode (Save-to-RAM). The indicator flashes blue and white: The Tablet PC is in S3 mode and the wireless function (Wi-Fi or WWAN) is ON. The indicator flashes white: The Tablet PC is in S4 or S5 mode and the wireless function (Wi-Fi or WWAN) is ON. The indicator is not lit: The Tablet PC is switched off or in Save-to-Disk mode.
	<p>Battery charging indicator</p> <ul style="list-style-type: none"> The indicator lights up red: The mains adapter is connected. The indicator flashes red: The battery has a charging fault. The indicator is not lit: The mains adapter is not connected.

Switching on the Tablet PC



- ▶ Press the ON/OFF switch (1) for about one second to switch the device on.
- ↳ The power-on indicator (2) lights up whenever the system is switched on.

Programming the ON/OFF switch

You can program the ON/OFF switch:

Operating system	Menu
Windows 7	<i>Start - (Settings) - Control Panel - System and Security - Power Options</i>
Windows 8.1	<i>Windows 8.1 Desktop - Control Panel - Hardware and Sound - Power Options</i>



If you have assigned a password, you must enter this when requested to do so, in order to start the operating system. Detailed information can be found in the chapter ["Security functions", Page 62.](#)

Switching off the Tablet PC



Back up your data and close all applications before you switch off your device. Otherwise data might be lost.

- ▶ Shut down the operating system correctly.
- ▶ If the notebook is not switched off automatically, press the ON/OFF switch for approx. five seconds.

Handwriting recognition

For detailed information on handwriting recognition, see the documentation on your operating system.

At present, handwriting recognition under Windows 7 supports the following languages:

English, German, French, Italian, Japanese, Korean, Chinese (traditional and simplified), Dutch, Portuguese, Spanish, Brazilian, Norwegian (Bokmål and Nynorsk), Swedish, Finnish, Danish, Polish, Rumanian, Serbian (Cyrillic and Latin script), Catalan, Russian, Czech and Croatian.

Under Windows 8.1 you can set the required language under

Control Panel – Time, Language and Region – Language.

Touchscreen

High-quality TFT displays are installed in Tablet PCs from Fujitsu Technology Solutions GmbH. For technical reasons, TFT monitors are manufactured for a specific resolution. An optimal, clear picture can only be ensured with the correct resolution intended for the relevant TFT monitor. A monitor resolution which differs from the specification can result in an unclear picture.

The screen resolution of your Tablet PC's touchscreen is optimally set at the factory.

The standard of production techniques today cannot guarantee an absolutely fault-free screen display. A few isolated constant lit or unlit pixels (picture elements) may be present. The maximum permitted number of pixels faults is stipulated in the international standard ISO 9241-3 (Class II).

Example:

A monitor with a resolution of 1280 x 800 has $1280 \times 800 = 1024000$ pixels. Each pixel consists of three subpixels (red, green and blue), so there are almost 3 million subpixels in total. According to ISO 9241-3 (class II), a maximum of 2 light and 2 dark pixels and an additional 5 light or 10 dark subpixels or a corresponding mix may be defective (1 light subpixel counts as 2 dark subpixels).

Pixel	A pixel consists of 3 subpixels, normally red, green and blue. A pixel is the smallest element that can be generated by complete functionality of the display.
Subpixel	A subpixel is a separately addressable internal structure within a pixel that enhances the pixel function.
Cluster	A cluster contains two or more defective pixels or subpixels in a 5 x 5 pixel block.

Background lighting

TFT monitors are operated with background lighting. The luminosity of the background lighting can decrease while the Tablet PC is in use. However, you can set the brightness of your monitor individually.

Ambient light sensor

If your notebook was shipped with the *Windows* operating system, the screen brightness is regulated by means of the ambient light sensor and depending on the respective light conditions. This results in optimum readability and longer battery life at the same time.

If your notebook was shipped with Windows 8.1, the adaptive brightness setting is deactivated. To change the ambient light sensor settings, select *Control Panel - System and Security - Power Options - Change plan settings - Change advanced power settings - Display - Activate adaptive brightness setting..*

Select *On* to activate the adaptive brightness setting with the help of the ambient light sensor.

Synchronising the display on the touchscreen and an external monitor

In Windows 7, you can switch between touchscreen and external monitor, if you open *Control Panel - Windows Mobility Center*, section *External Display*.

In Windows 8.1 wipe your finger over the screen from the right-hand edge. The setting *Charms - Devices - Second monitor* opens. Select the desired output type.

You can also use the *Fujitsu Display Manager* in the *Windows Mobility Center* to set the output type.

Select display orientation (portrait or landscape orientation)

You can choose to use either portrait or landscape orientation for the display.



Windows 7

You can change these settings in the Fujitsu menu or under *Start - (Settings -) Control Panel - Hardware and Sound - Display - Settings*.



Windows 8.1

You can change these settings under *Windows 8.1 Desktop - Control Panel - Hardware and Sound - Windows Mobility Center / Rotate screen*.



In the *Fujitsu Tablet Controls* settings, profiles are saved for operation with different screen orientations. These profiles have preset standard configurations that can be modified as desired.

These settings do not just affect the monitor settings on the Tablet PC, but also any external monitors that may be connected.

Using fingers

You can execute certain commands by using your finger tip on the touchscreen of your device.



Everything which you can select or activate using your finger tip can also be selected or activated using the stylus pen.

Calibrate the Dual Digitizer for finger-based operation of the device.



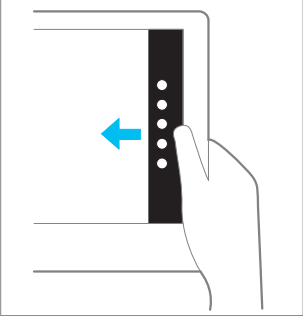
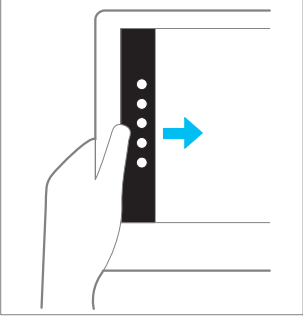
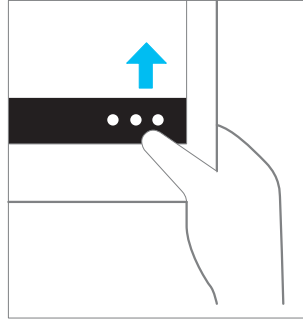
If Windows 8.1 is installed on your Tablet PC, your Tablet PC is already calibrated at initial setup.

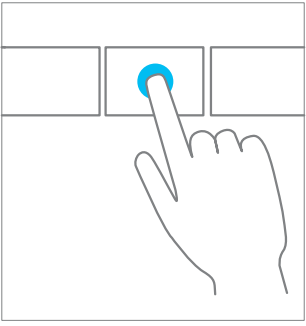
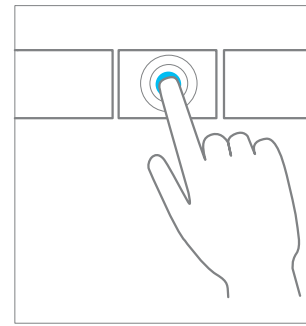
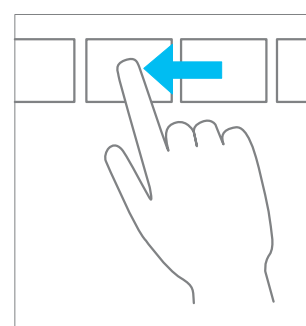
If a different operating system is installed on your Tablet PC, you must calibrate it with your fingers before first use, so that it recognises your fingertips as accurately as possible.

As soon as you notice that the accuracy is deteriorating, you must recalibrate the device.

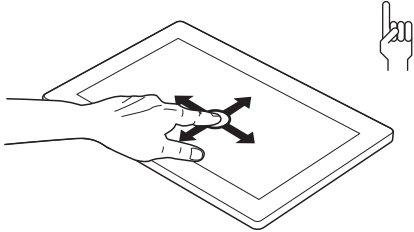
Operating system	Menu
Windows 7 / Windows 8.1 Desktop	To calibrate, call up the <i>Hardware and Sound / Tablet PC Settings</i> function in the Control Panel. You need to calibrate both portrait and landscape formats.

Actions with one finger (Windows 8.1 Modern)

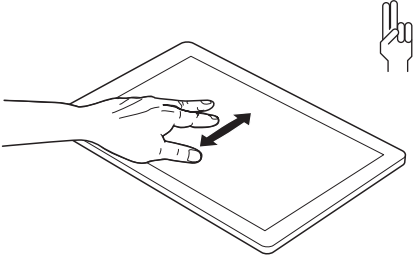
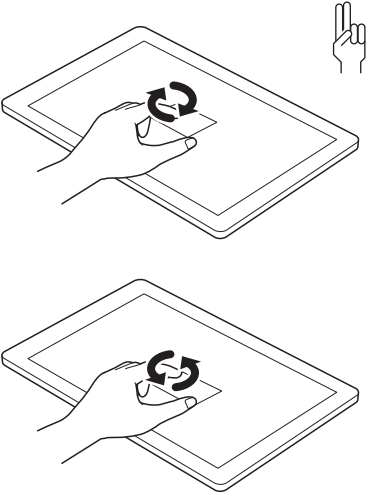
Action	Description
<p>Wipe your finger over the screen from the right-hand edge.</p> 	<ul style="list-style-type: none"> ▶ Open the Charms with system commands (equivalent to pressing the Windows button + C button). ▶ Working with the mouse: Position the mouse pointer at the bottom right-hand edge of the screen.
<p>Wipe your finger over the screen from the left-hand edge.</p> 	<ul style="list-style-type: none"> ▶ Switch between the most recently used applications (equivalent to pressing the Windows button + Ctrl + Space). ▶ Working with the mouse: Position the mouse pointer at the bottom left-hand edge of the screen.
<p>Wipe your finger over the screen from the top or bottom edge.</p> 	<ul style="list-style-type: none"> ▶ Open the App commands (equivalent to pressing the Windows button + Z button). Wipe from the top to the bottom of the screen to dock or close the current App. ▶ Working with the mouse: Right-click on the App to display the App commands.

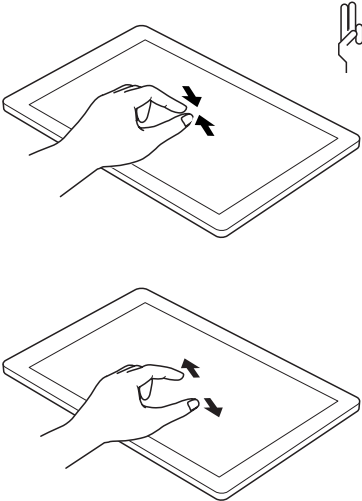
Action	Description
<p data-bbox="79 183 240 215">Press and hold</p>  A diagram showing a hand with the index finger pressing and holding a blue circular button on a tablet screen. The screen has a header bar with three rectangular buttons, and the finger is positioned over the middle one. Below the header is a larger rectangular area.	<ul style="list-style-type: none">▶ Keep your finger pressed on an object on the screen to display a menu with further options.▶ Working with the mouse: Move the mouse pointer over the object to display a menu with further options.
<p data-bbox="79 566 257 598">Tap on an object</p>  A diagram showing a hand with the index finger tapping a blue circular button on a tablet screen. Concentric circles around the button indicate the tap action. The screen layout is identical to the 'Press and hold' diagram.	<ul style="list-style-type: none">▶ Tap your finger on an object on the screen to open an App or a link or to execute a command.▶ Working with the mouse: Left-click on the object.
<p data-bbox="79 965 425 997">Scroll / Move object / Swivel object</p>  A diagram showing a hand with the index finger scrolling through a list on a tablet screen. A blue arrow points to the left, indicating the direction of the scroll. The screen layout is identical to the previous diagrams.	<ul style="list-style-type: none">▶ Use this function to scroll through lists or websites or to swivel or move an object.▶ Working with the mouse: Left-click on the object, keep the mouse button pressed and move / swivel the object or scroll.

Actions with one finger (Windows 7 / Windows 8.1 Desktop)

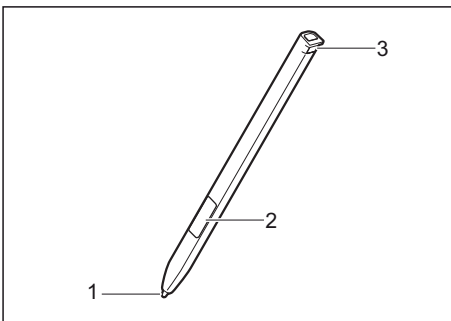
Action	Description
Selecting objects (click with the left mouse button)	<ul style="list-style-type: none"> ▶ With your finger, tap once briefly on the object.
Starting programs (double-click with the left mouse button)	<ul style="list-style-type: none"> ▶ With your finger, tap twice briefly in quick succession on the program icon.
Moving objects/windows (drag with left mouse button pressed, Drag & Drop)	 <ul style="list-style-type: none"> ▶ Place a finger directly on the object/window, hold the finger pressed against the touchscreen and move the desired object/window.
Opening a context menu (click with the right mouse button)	<ul style="list-style-type: none"> ▶ Touch the desired item once with your finger tip. Keep the finger tip pressed against the touchscreen. <p>The context menu appears.</p>
Moving the cursor	<ul style="list-style-type: none"> ▶ Position one finger on the touchscreen and move the finger in the desired direction.

Actions with two fingers (Windows 7 / Windows 8.1 Desktop)

Action	Description
Scrolling	 <ul style="list-style-type: none">▶ Position two fingers on the touchscreen.▶ Move your fingers upwards to scroll up.or▶ Move your fingers downwards to scroll down.
Rotating	 <ul style="list-style-type: none">▶ Position the thumb on the touchscreen, then turn the picture clockwise or counter-clockwise using your index finger.

Action	Description
Increasing or decreasing the view	 <ul style="list-style-type: none"> ▶ Position two fingers on the touchscreen and move them apart to increase the view. <p>or</p> <ul style="list-style-type: none"> ▶ Position two fingers on the touchscreen and move them together to decrease the view.
Blocking context-sensitive menus	<ul style="list-style-type: none"> ▶ With two fingers, tap twice briefly in quick succession on the touchscreen.

Using the stylus pen



- 1 = pen tip
- 2 = pen button (= right mouse button)
- 3 = eyelet for pen cord

You can use the pen on your Tablet PC as an electronic writing implement to select items, and to navigate through programs on it. Programs that support handwriting recognition also allow you to write characters directly on the screen with the pen. You can also use the pen as a drawing tool.

The Tablet PC is supplied with a pen cord which you can attach to the eyelets on the pen and on the Tablet PC.



Use only the pen provided with your Tablet PC. Do not use substitutes that were not designed for your Tablet PC. Replace the stylus tip if it is worn. The warranty does not cover a scratched screen.

While writing, you should take care not to scratch the surface of the display (e.g. with a wristwatch or bracelet).



The Tablet PC's pen is an electronic instrument that can be damaged if used improperly. Handle the pen with care.

The following list contains guidelines for proper pen handling:

- Do not gesture with the pen.
- Do not use the pen as a pointer.
- Do not use the pen on surfaces other than the screen of the Tablet PC.
- Do not try to turn the thumb grip on the pen. The thumb grip is used to place the pen in its slot and to take it out of the slot.
- Never store the pen with the tip bearing the weight of the pen (e.g. with the tip down in a pen holder). If the pen is stored with the tip pointing down, this may have an adverse effect on the pen mechanism (particularly under high temperatures). In this case the pen tip may react as though it is constantly being pressed down. To avoid damage, the pen should be stored in the pen slot when not in use.

The pen can be influenced by electromagnetic fields (cursor quivers or jumps). There may be a few areas on the screen where the cursor quivers slightly in spite of pressing the pen down firmly.

The screen responds to entries made with the tip of the finger or the pen when the tip of the finger or the pen is in direct contact with the screen.

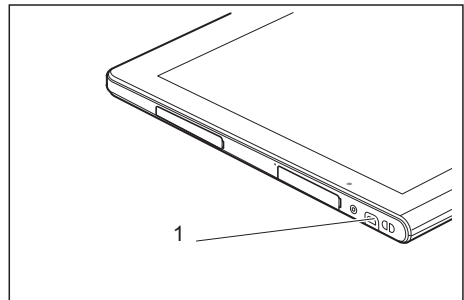
You can use the pen to run all functions for which you would otherwise use a mouse.

The pen does not support erasing functions.

Handling	Mouse	Pen
Selecting menu items	Click with the left-hand mouse button.	Touch the menu entry with the pen tip.
Starting programs	Double click with the left-hand mouse button.	Briefly touch the program icon twice with the pen tip.
Moving an object/window	Drag with the left-hand mouse button held pressed.	Place the pen tip directly on the object/window. Hold the pen tip pressed against the screen. Move the desired object/window.
Opening a context menu	Click with the right-hand mouse button.	Place the pen directly on the required element and hold the pen pressed against the screen.
Moving the cursor	-	Place the pen tip directly on the screen.

Pen position

On delivery, the pen is positioned in the pen slot (1):



Setting the pen

Operating system	Menu
Windows 7	Under <i>Hardware and Sound - Pen and Input Devices</i> in the Control Panel you can make various settings for the pen (assignment and function of the pen button).
Windows 8.1	Under <i>Windows 8.1 Desktop - Control Panel - Hardware and Sound - Pen and Input Devices</i> you can make various settings for the pen (assignment and function of the pen button).

Calibrating the pen

If Windows 8.1 is installed on your Tablet PC, your Tablet PC is already calibrated at initial setup.

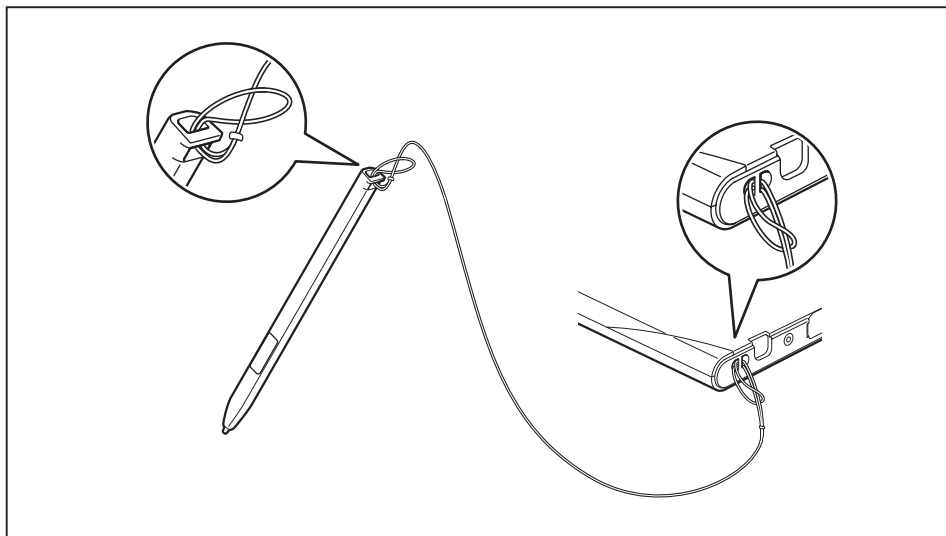
If a different operating system is installed on your Tablet PC, you must calibrate it with the pen before first use, so that it recognises the pen as accurately as possible.

You should also always repeat the calibration if the co-ordination between the pen and cursor movement deteriorates.

Operating system	Menu
Windows 7 / Windows 8.1 Desktop	To calibrate, call up the <i>Hardware and Sound / Tablet PC Settings</i> function in the Control Panel. You need to calibrate both portrait and landscape formats.

Installing a pen cord

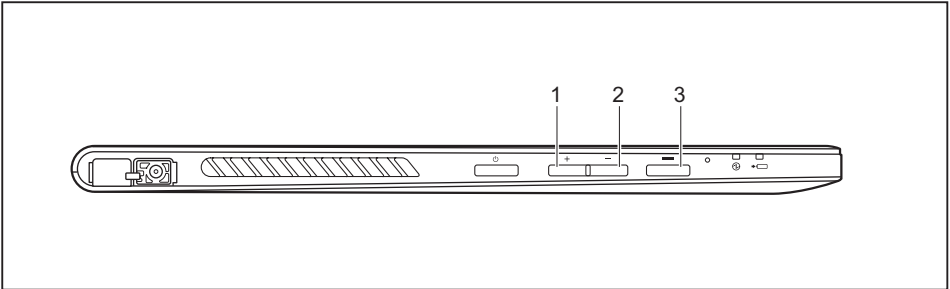
You should attach the pen with a pen cord to prevent accidentally dropping or losing it.



- Fasten the pen cord to the pen eyelet and to the eyelet on the Tablet PC.

Tablet buttons

Your Tablet PC is fitted with three tablet buttons.



No.	Description	Functions
1	Increase volume button	Increase the volume
2	Reduce Volume button	Reduce the volume
3	Shortcut button	Start the Function Manager or screen capture (configuration-dependent)

Webcam



Your device has two WebCams: one on the front side of the device and one on the rear.

The WebCam has its own status indicator. The indicator lights up when the WebCam is switched on.

Depending on the software used, you can use your Webcam to take pictures, record video clips or take part in web chats.

- The picture quality depends on the lighting conditions and the software being used.
- You can only operate the webcam with a particular application (e.g. an Internet telephony program or a video conferencing program which supports a webcam).
- When using the webcam the Tablet PC support must not wobble.
- The webcam automatically adjusts itself to the current light level. For this reason the touchscreen may flicker while the light level is adjusted.



Further information on using the webcam and on the additional settings which are possible for your webcam can be found in the help function of the program which uses the webcam.

If you would like to perform a function test of your webcam, suitable test software is available at ["http://www.fujitsu.com/fts/support/index.htm"](http://www.fujitsu.com/fts/support/index.htm).

Rechargeable battery

For mobile use, the built-in battery provides the Tablet PC with the necessary power. You can increase the life of the battery by caring for the battery properly. The average battery life is around 500 charge/discharge cycles.

You can extend the battery life by taking advantage of the available energy saving functions.

Charging and maintaining the battery

The Tablet PC battery can only be charged when the ambient temperature is between 5°C / 41 °F and max. 35°C / 95°F.

You can charge the battery by connecting the Tablet PC to the mains adapter (see "[Mains adapter connecting](#)", [Page 21](#)).

If the battery is running low you will hear a warning alarm. If you do not connect the mains adapter within five minutes of the warning alarm described above, your Tablet PC will switch off automatically.

Monitoring the battery charging level

In the system bar / status display there is a battery symbol shown for monitoring the battery capacity. The battery symbol shows you the battery charge.

Using the power-management features

The Tablet PC uses less power when the power management features are enabled. You will then be able to work longer when using the battery before having to recharge it.



Power efficiency is increased and environmental pollution reduced. By choosing the best power options, you can make significant savings and at the same time help protect the environment.

We recommend the following settings:


Function	On external power	On battery power
Turn off monitor	After 10 minutes	After 5 minutes
Turn off hard disk(s)	After 15 minutes	After 10 minutes
Energy saving (S3)	After 20 minutes	After 15 minutes
Hibernate mode (S4)	After 1 hour	After 30 minutes

- ▶ Select the power management functions in your Control Panel.
- ▶ Select the Screen Saver in your Control Panel.

or

- ▶ Keep a finger pressed on the desktop to display the context menu. Configure the screen saver under *Change screen saver*.



If you need further information about an option, you can get help with most settings by pressing the  symbol in the upper right of the screen to open the Microsoft Help.

When the Tablet PC is in power saving mode, you must remember the following:



During power saving mode, open files are held in the main memory or in a swap file on the hard disk.

Never switch off the Tablet PC while it is in a power saving mode. If the built-in battery is nearly flat, close the open files and do not go into power saving mode.

If you do not intend to use your Tablet PC for a long period of time:

- ▶ Exit the power saving mode if necessary via touching the screen or by switching on the Tablet PC.
- ▶ Close all opened programs and completely shut down the Tablet PC.

Memory cards

Your Tablet PC is equipped with an integrated memory card reader. You can use memory cards to increase the storage of your Tablet PC.



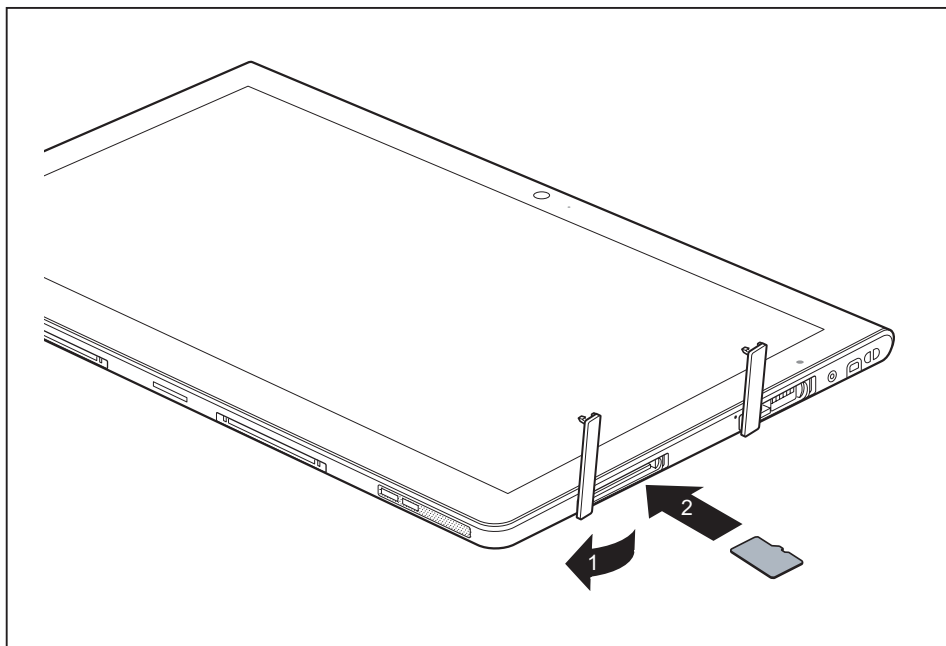
Observe the manufacturer's instructions when handling the memory cards.

Supported formats

The memory card reader supports the following formats:

- Micro Secure Digital (Micro SD™ card)
- Micro SDHC
- Micro SDXC

Inserting the memory card



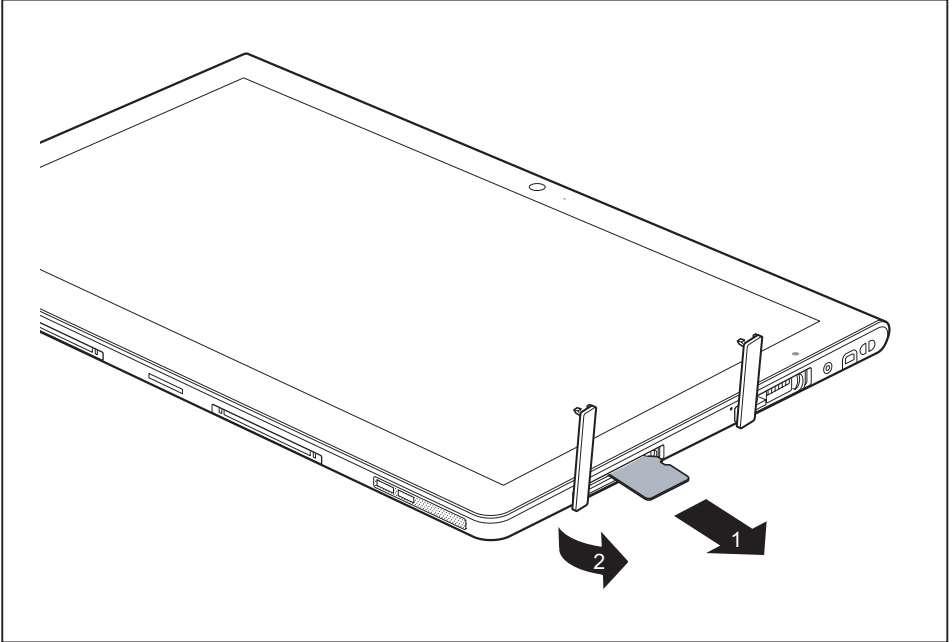
- ▶ Open the slot cover (1).
- ▶ Carefully slide the memory card into the slot (2). The label should be facing upward. Do not apply excessive force, as otherwise the delicate contact surfaces could be damaged.
- ▶ Replace the slot cover.

Removing the memory card



Always remove the card properly to ensure that none of your data is lost.

- ▶ Open the slot cover.



- ▶ Pull the memory card out of the slot (1).
- ▶ Replace the slot cover (2).

SIM card

A SIM card (Subscriber Identity Module) is a chip card which is inserted in a mobile telephone or Tablet PC and, together with an integrated UMTS/LTE module, enables access to a mobile network.



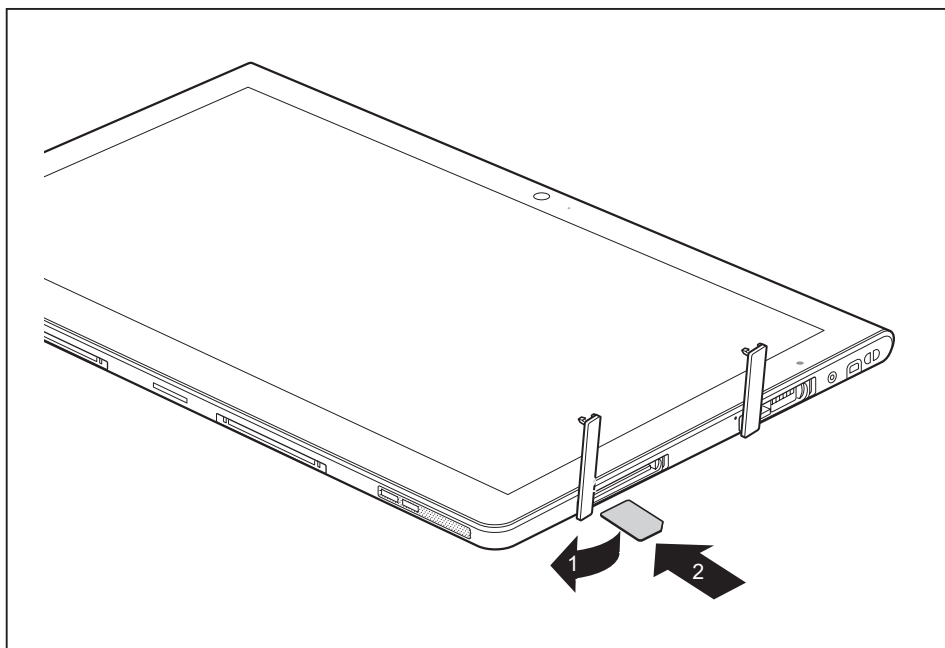
Please follow the instructions supplied by the provider when handling the SIM card. If you do not feel the SIM card engage as you insert it, use a pointed object to insert the SIM card.



Please note that the SIM card format must be micro-SIM (3FF). Other SIM card formats, such as full-size (1FF), mini-SIM (2FF) or nano-SIM (4FF) do not fit in the SIM card slot of your Tablet PC.

Please do not insert any other format of SIM card as they could bend or could even damage the system.

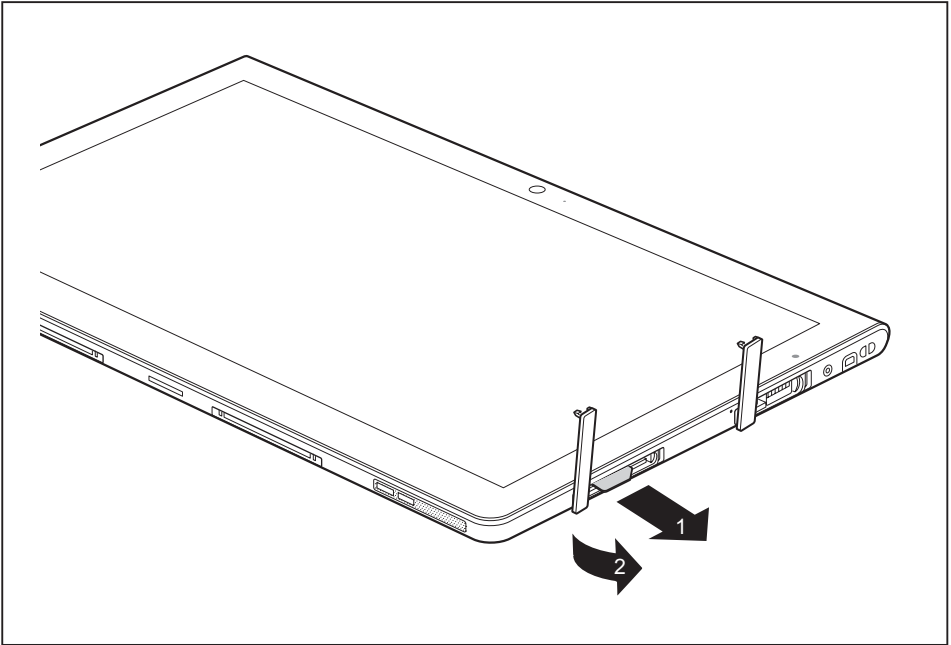
Inserting the SIM card



- ▶ Open the slot cover (1).
- ▶ Gently push the SIM card into the slot (2) until you feel it click into place. The label must be facing upwards. Do not use any force, otherwise the delicate contact surfaces could be damaged.
- ▶ Replace the slot cover.

Removing the SIM card

- ▶ Open the slot cover.



- ▶ Pull the SIM card out of the slot (1).
- ▶ Replace the slot cover (2).

Wireless LAN/Bluetooth/UMTS/LTE radio components



The installation of radio components not approved by Fujitsu Technology Solutions will invalidate the certifications issued for this device.

Switching the wireless components on and off

The wireless components are switched on and off via the corresponding operating system functions.

- ▶ To individually switch off and on the wireless components, select *Settings – Change PC settings – Network – Airplane mode*.

Setting up WLAN access

- Requirement: A WLAN must be available and you must have the corresponding access information.



Information on configuring the WLAN access can be found in the documentation for your operating system.

Access via UMTS / LTE

If you ordered an integrated UMTS / LTE module with your system, you can enjoy optimum reception and maximum energy efficiency without awkward cables or antennas. The optional UMTS / LTE module is ready for use straight away.

If you did not order a UMTS / LTE module, you can purchase the accessories for UMTS / LTE reception from your retailer or your Fujitsu Technology Solutions dealer.

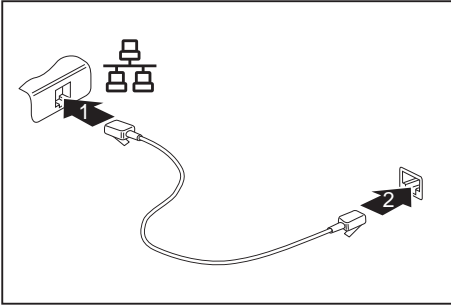
You will find information on establishing the connection with the UMTS / LTE network in the documentation for the hardware used.

Your device can connect to the Internet via UMTS / LTE. To do this, use one of the following types of connection:

- Integrated UMTS / LTE module (availability dependent on your model variant)
- a USB dongle (a USB stick with your mobile phone provider's SIM card)
- a mobile end-device (e.g. mobile phone with Bluetooth or cable connection)

Ethernet and LAN (only with Multi-functional Cradle or Keyboard Docking)

The internal network module of your Tablet PC supports Ethernet LAN. You can use it to establish a connection to a local network (LAN = Local Area Network).



- ▶ Connect the network cable to the LAN port of the Cradle (1).
- or
- ▶ Connect the network cable to the LAN port of the Keyboard Docking (1).
- ▶ Connect the network cable to your network connection (2).

i

Your network administrator can help you to configure and use the LAN connections. The network cable is not included in the delivery scope. This type of cable can be obtained from a specialist dealer.

GPS

i

Whether or not your device has this function depends on the selected device expansion stage.

Accessories for your Tablet PC (optional)

The following accessories are available for your Tablet PC:

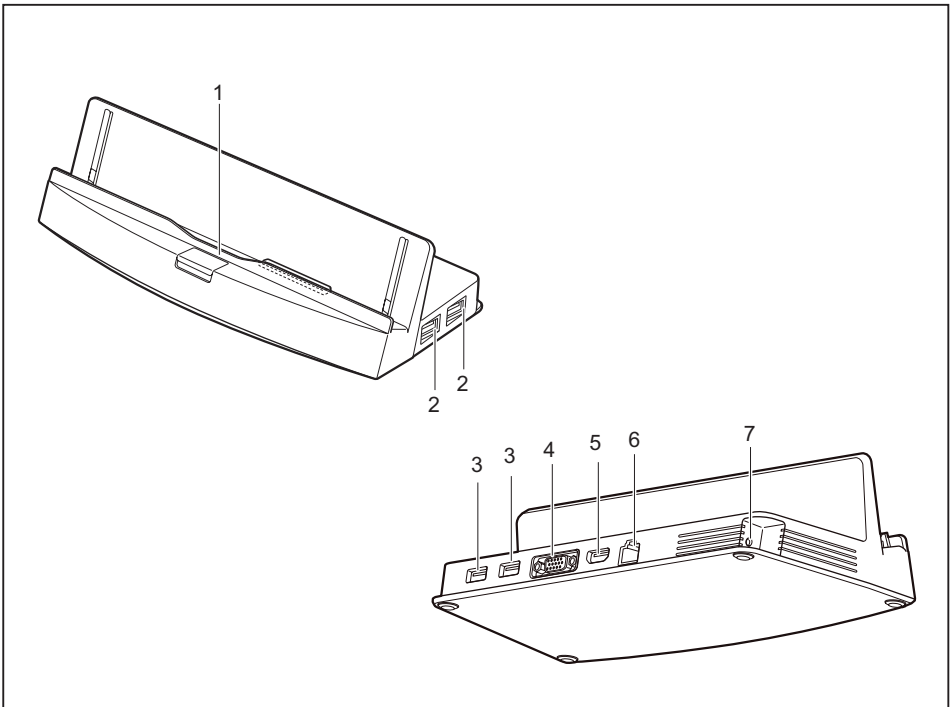
- Multi-functional Cradle for charging and with additional interfaces
- Slice Keyboard
- Keyboard Docking
- VESA mount and hand strap
- Shoulder strap

The following sections provide more information on handling the accessories.

Your Multi-functional Cradle (optional)

Your Multi-functional Cradle is a device which, in addition to quick charging, can help you to quickly connect your Tablet PC to your peripheral devices such as a display screen, keyboard, mouse etc. You need only dock the Tablet PC in order to work with your peripheral devices.

Cradle components



1 = Connector on the Cradle for the docking port of the Tablet PC

2 = USB port 3.0

3 = USB port 3.0

4 = VGA monitor port

5 = HDMI

6 = LAN port

7 = DC input connector (DC IN)

Setting up the Cradle



Select a suitable location for the Cradle before setting it up. Follow the instructions below when doing so:

- Place the Cradle on a flat, stable, nonslippery surface.
- Never place the Cradle and the mains adapter on a heat-sensitive surface.
- Do not expose the Cradle to extreme environmental conditions.
Protect the Cradle from dust, humidity and heat.

Connecting the Tablet PC to the Cradle



It is possible to connect the Tablet PC to the Cradle during operation. To prevent problems, we recommend that you switch the Tablet PC off first.

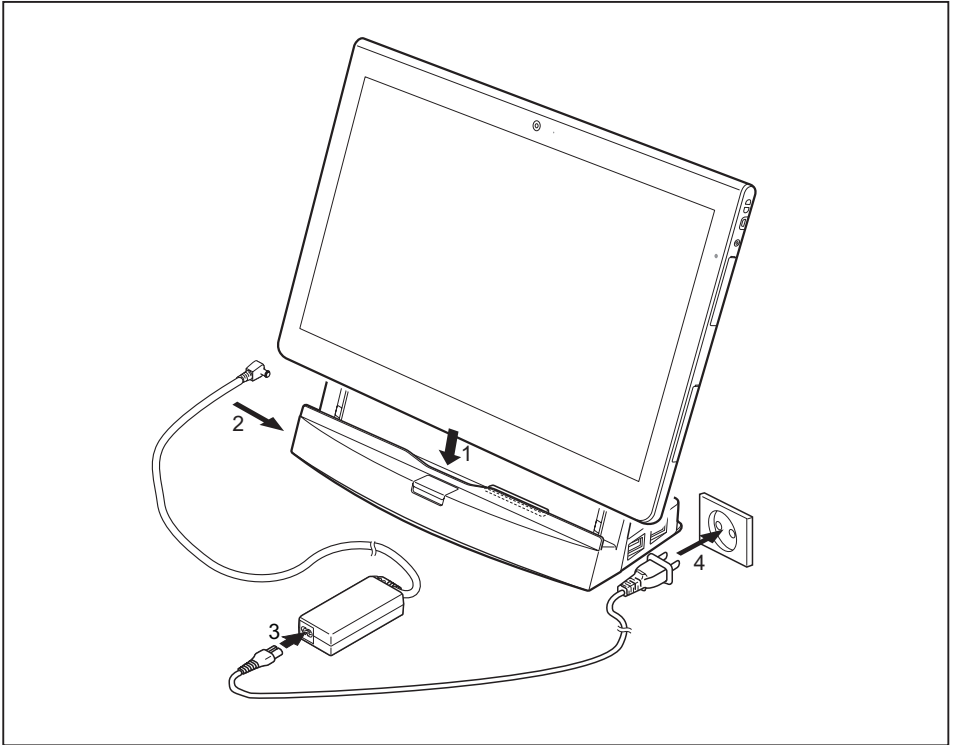
Disconnect the mains adapter from the Tablet PC before connecting the Tablet PC to the Cradle.



If the Tablet PC is connected to the Cradle, you must connect the mains adapter to the Cradle.

Information when using the Cradle:

- When your Tablet PC is connected to the Cradle, the micro USB port on the device cannot be used at the same time. Use the alternative interfaces on the Cradle in this case.
 - The HDMI and VGA port on the the Cradle cannot be used at the same time: if devices are connected to both VGA and HDMI port, only the device on the HDMI port can be used.
 - The supported max. VGA/HDMI resolution is 1920 x 1080 pixels.
- ▶ Switch off the Tablet PC.
- ▶ Remove the power plug of the mains adapter from the mains socket.
- ▶ Pull the mains adapter cable out of the DC jack (DC IN) of the Tablet PC.



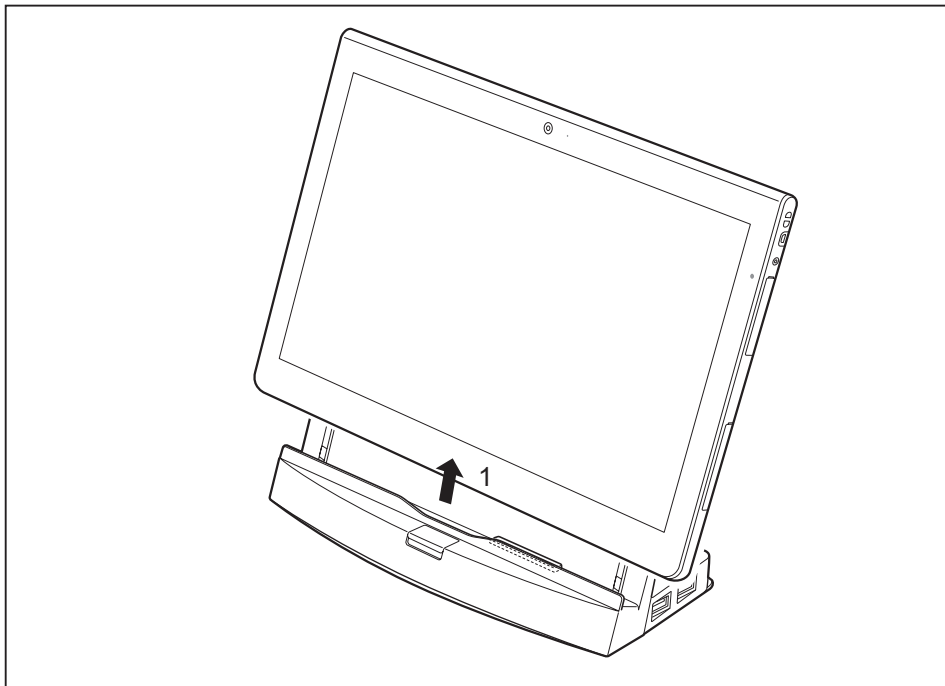
- ▶ Position the Tablet PC so that it is in line with the storage space of the Cradle.
- ▶ Push the Tablet PC on to the Cradle in the direction of the arrow (1) until you notice it engage with the plug.
- ▶ Plug the DC output connector on the mains adapter into the DC input connector (DC IN) on the Cradle (2).
- ▶ Connect the power cable to the mains adapter (3).
- ▶ Plug the power cable into the mains socket (4).

Disconnecting the Tablet PC from the Cradle



It is possible to separate the Tablet PC from the Cradle during operation. To prevent problems, we recommend that you switch the Tablet PC off first or that you execute the appropriate undocking function provided by the operating system.

- ▶ Switch off the Tablet PC.

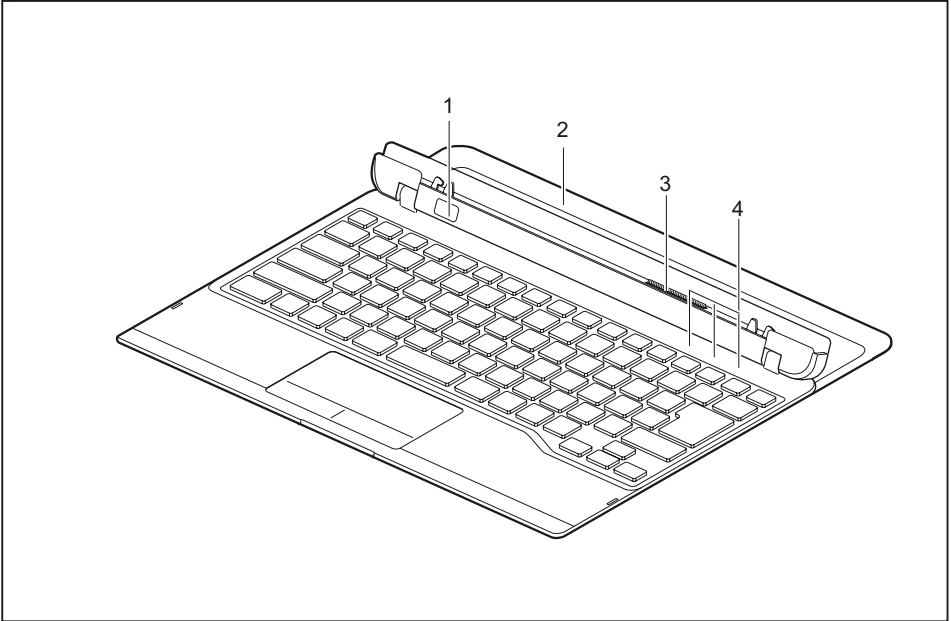


- ▶ Lift the Tablet PC from the Cradle in the direction of the arrow (1), while supporting the underneath of the Cradle.

Slice Keyboard (optional)

The Slice Keyboard allows text to be entered in a convenient way. You need only dock the Tablet PC.

Slice Keyboard components



1 = Release button

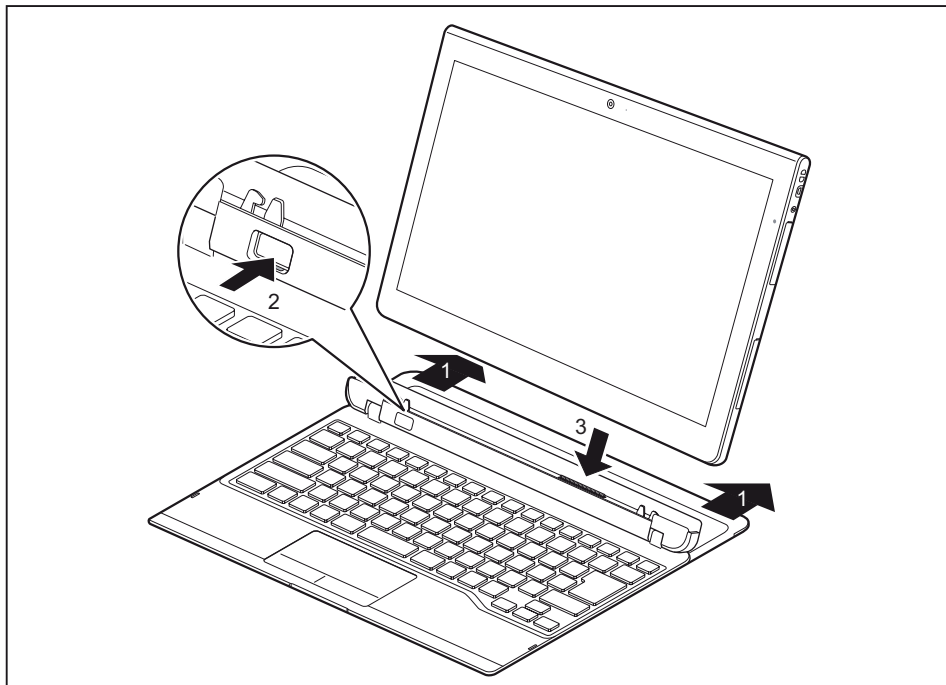
2 = Sliding foot (pulled out)

3 = Connector for the docking port of
the Tablet PC

4 = Status indicators (Num Lock, Caps
Lock, Scroll Lock)

Connecting the Tablet PC to the Slice Keyboard

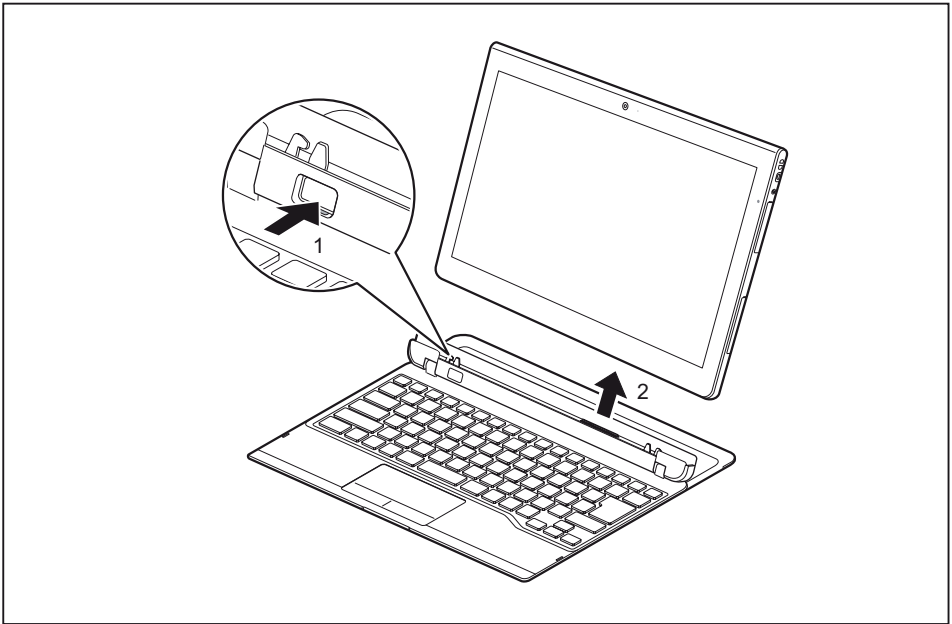
- ▶ Position the Slice Keyboard on a flat, even surface.



To avoid toppling of the Tablet PC and resulting damage, always pull out the sliding foot when using the Slice Keyboard.

- ▶ Fully pull out the sliding foot (1).
- ▶ Press the release button (2) until it firmly remains in pressed position (red marking visible).
- ▶ Push the Tablet PC on to the Slice Keyboard in the direction of the arrow until you feel it engage on the connector (3).

Disconnecting the Tablet PC from the Slice Keyboard

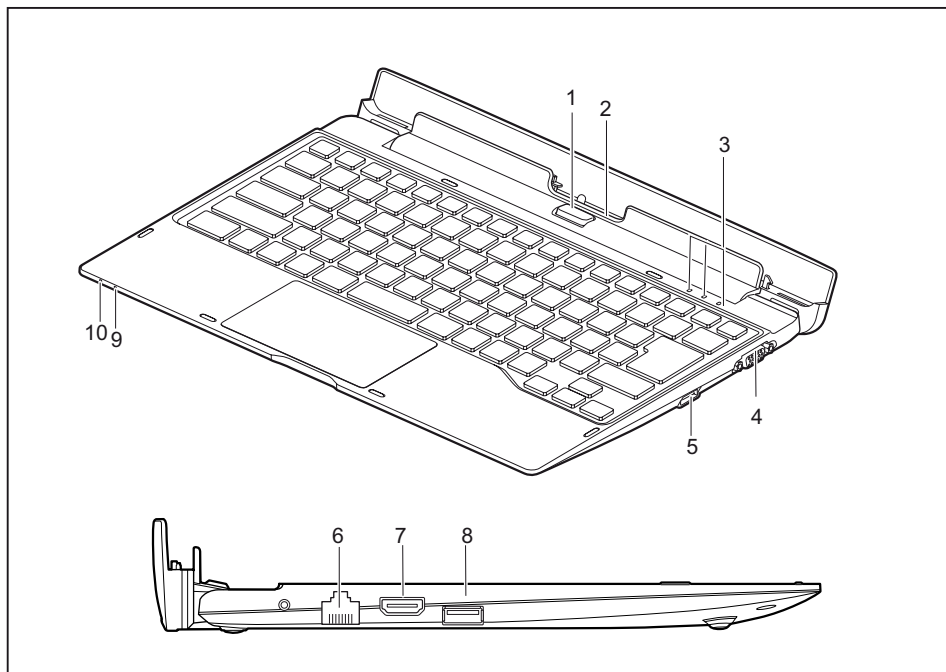


- ▶ Press and hold the release button on the Slice Keyboard (1).
- ▶ Lift the Tablet PC from the Slice Keyboard in the direction of the arrow (2),

Keyboard Docking (optional)

The Keyboard Docking allows text to be entered in a convenient way and to connect external devices. You need only dock the Tablet PC.

Keyboard Docking components



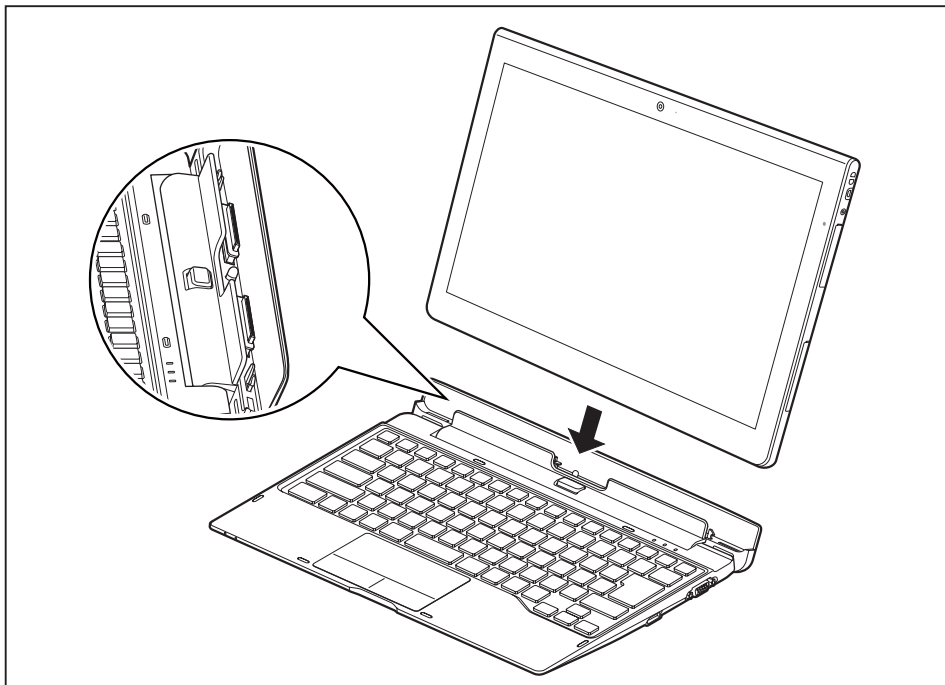
- | | |
|--|---------------------------------|
| 1 = Release button | 6 = LAN port |
| 2 = Connector for the docking port of the Tablet PC | 7 = HDMI |
| 3 = Status indicators (Num Lock, Caps Lock, Scroll Lock) | 8 = USB port 3.0 |
| 4 = VGA monitor port | 9 = Battery level indicator |
| 5 = USB port 3.0 | 10 = Battery charging indicator |

Status indicators

Status indicator	Description
Battery level indicator	<p>The battery indicator shows the state of charge of the battery.</p> <ul style="list-style-type: none"> • The indicator lights up white: The battery is charged between 50% and 100%. • The indicator lights up orange: The battery is charged between 13% and 49%. • The indicator lights up red: The battery is charged between 0% and 12%.
Battery charging indicator	<p>The battery charging indicator shows whether the battery is being charged.</p> <ul style="list-style-type: none"> • The indicator lights up red: The mains adapter is connected and the battery is being charged. • The indicator lights up white: The mains adapter is connected and the battery is full / not charging. • The indicator is off: The mains adapter is not connected.

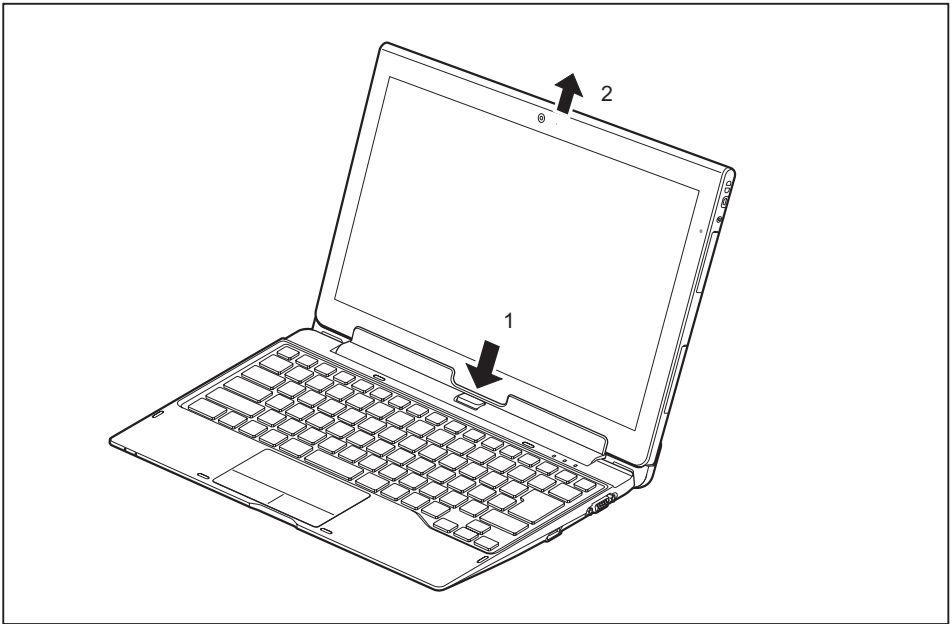
Connecting the Tablet PC to the Keyboard Docking

- ▶ Position the Keyboard Docking as shown below.



- ▶ Push the Tablet PC on to the Keyboard Docking in the direction of the arrow until you feel it engage on the connector.

Disconnecting the Tablet PC from the Keyboard Docking



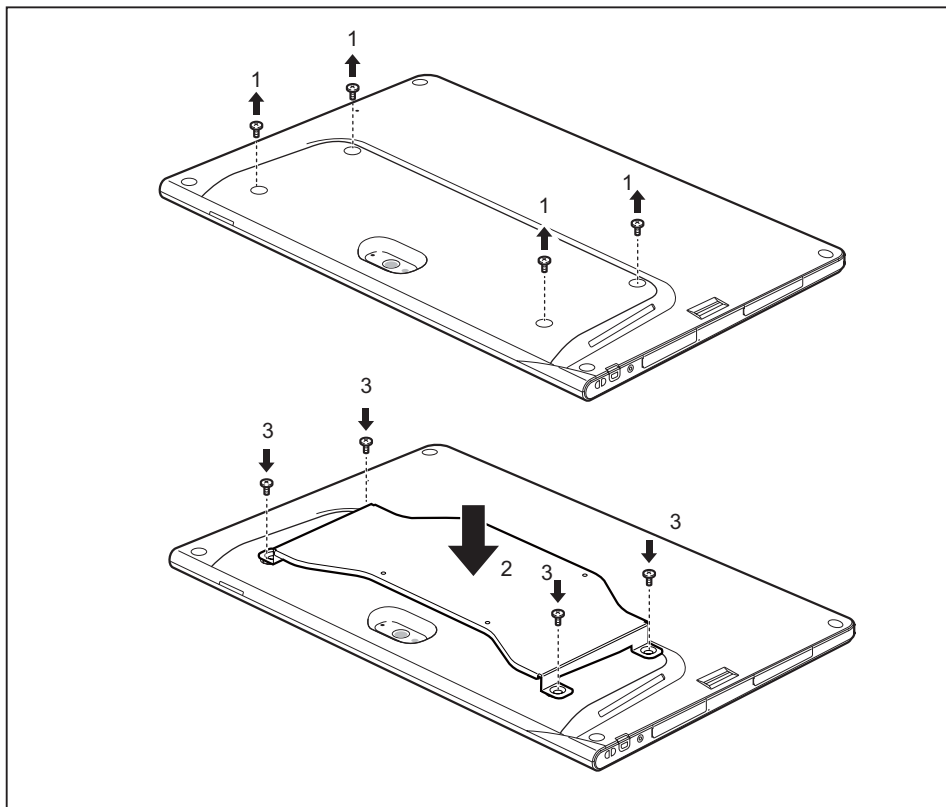
- ▶ Press and hold the release button on the Keyboard Docking (1).
- ▶ Lift the Tablet PC from the Keyboard Docking in the direction of the arrow (2),

VESA mount (optional)

Use the VESA mount to attach the Tablet PC to a monitor with corresponding screw holes.



- When you attach the screws, use the correct tool and the correct tool size.
- Keep the screws out of the reach of children.

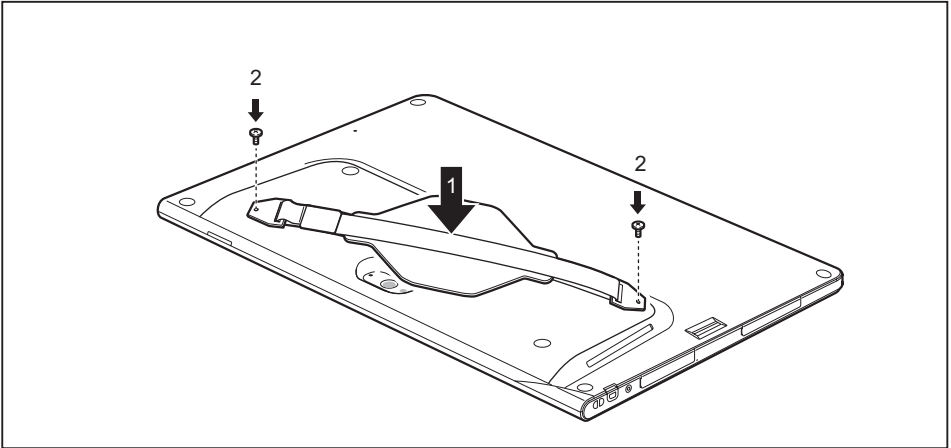


- ▶ Remove the screws (1).
- ▶ Position the VESA mount on the tablet PC (2). Be sure to correctly align the holes in both VESA mount and Tablet PC.
- ▶ Fasten the VESA mount with the screws (3).

Hand strap (optional)



- When you attach the screws, use the correct tool and the correct tool size.
- Keep the screws and d-rings out of the reach of children.
- Do not shake your arm too much when holding the device with the help of the hand strap. Otherwise the device is likely to fall down.

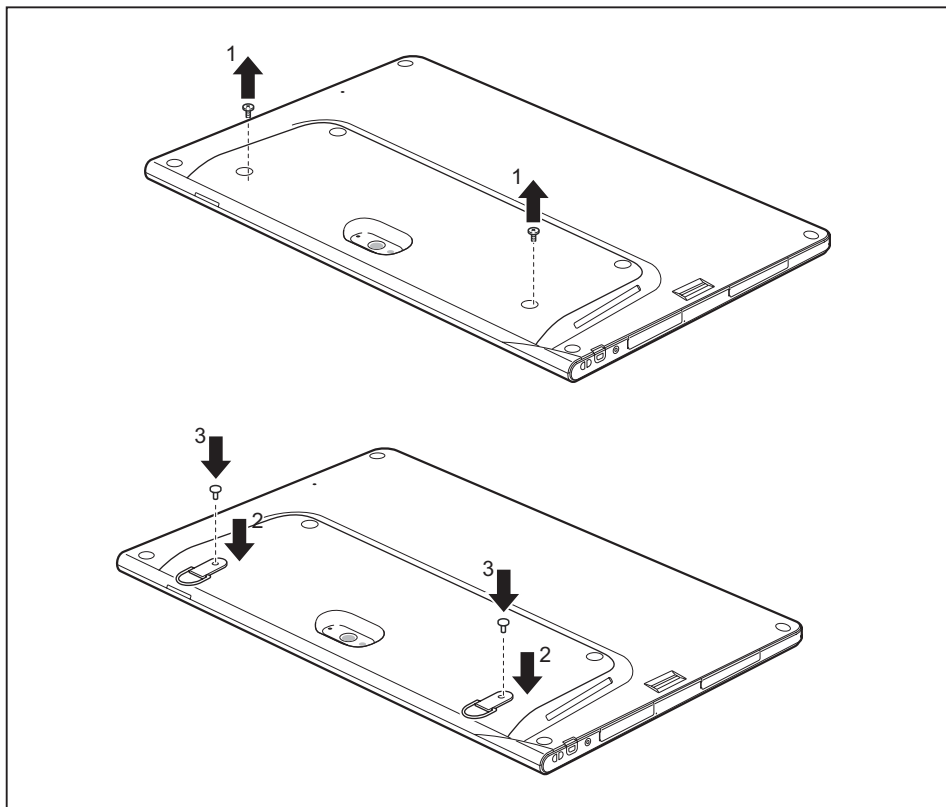


- ▶ Position the hand strap on the VESA mount (1). Be sure to correctly align the holes in both VESA mount and hand strap.
- ▶ Fasten the hand strap with the screws (2).

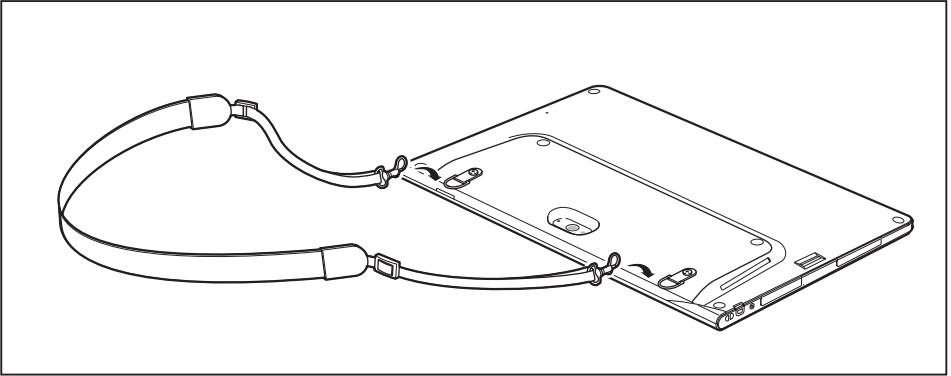
Shoulder strap (optional)



- When you attach the screws, use the correct tool and the correct tool size.
- Keep the screws and mounts out of the reach of children.



- ▶ Remove the screws (1).
- ▶ Position the mounts (2).
- ▶ Fasten the mounts with the screws (3).



- ▶ Fix the shoulder strap on the mounts.

Security functions

Your Tablet PC has several security features that you can use to secure your system from unauthorised access.

This chapter explains how to use each function, and what the benefits are.



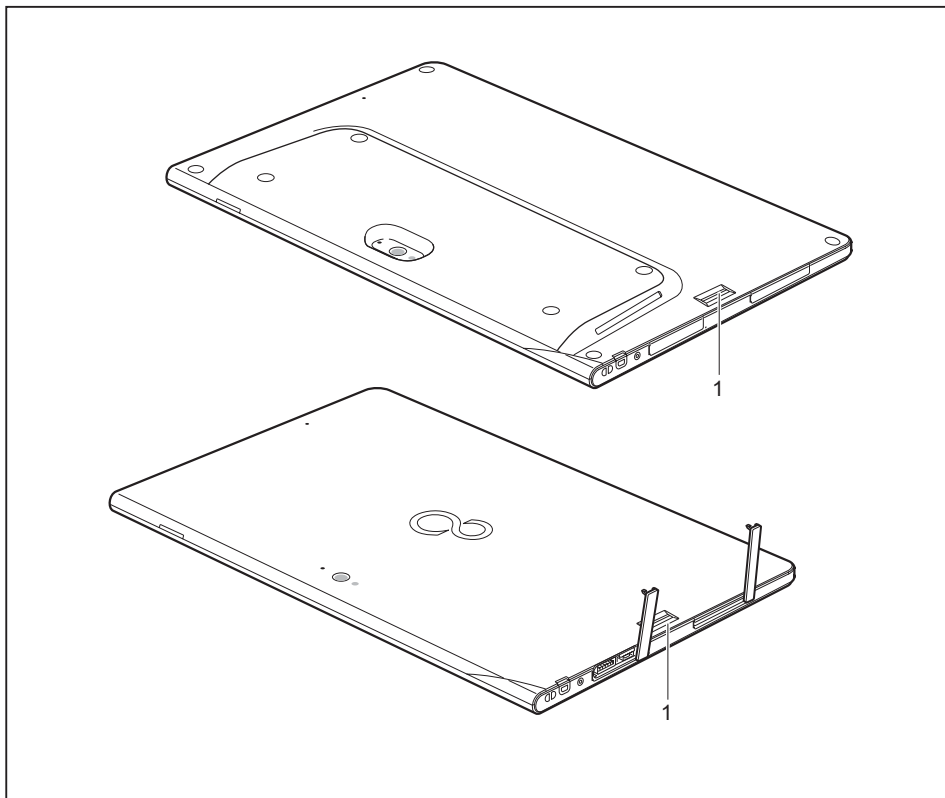
Please remember that in some cases, for example, forgetting your password, you may be locked out and unable to access your data. Therefore, please note the following information:

- Back up your data on external data carriers at regular intervals.
- Some security functions need you to choose passwords. Make a note of the passwords and keep them in a safe place.

If you forget your passwords you will need to contact the our Service Desk. Deletion or resetting of passwords is not covered by your warranty and a charge will be made for assistance.

Configuring the fingerprint sensor

The fingerprint sensor can record an image of a fingerprint. With additional fingerprint software, this image can be processed and used instead of a password.



- ▶ You must install the fingerprint software in order to be able to use the fingerprint sensor (1).

Configuring password protection in BIOS Setup Utility



Before using the various options for password protection in the *BIOS Setup utility* to increase data security, please observe the following:

Make a note of the passwords and keep them in a safe place. If you forget your supervisor password you will not be able to access your Tablet PC. Passwords are not covered by your warranty and a charge will be made for assistance.



Your password can be up to eight characters long and contain letters and numbers. No distinction is made between uppercase and lowercase.

Protecting BIOS Setup Utility (supervisor and user password)



If you have opened these operating instructions on the screen, we recommend that you print them out. You cannot call the instructions onto the screen while you are setting up the password.

The supervisor password and the user password both prevent unauthorised use of the *BIOS-Setup-Utility*. With the aid of the supervisor password you can access all of the functions of the *BIOS-Setup-Utility*, while the user password will only give you access to some of the functions. You can only set up a user password if a supervisor password has already been assigned.



Please refer to section ["Settings in BIOS Setup Utility", Page 73](#) for a description of how to call up and operate the *BIOS-Setup-Utility*.

Setting supervisor and user password

- ▶ Start the *BIOS Setup Utility* and go to the *Security* menu.
- ▶ Select the *Set Supervisor Password* field and press the Enter key.
- ↳ With *Enter new Password*: you are asked to enter a password.
- ▶ Enter the password and press the Enter key.
- ↳ *Confirm new Password* requires you to confirm the password.
- ▶ Enter the password again and press the Enter key.
- ↳ *Changes have been saved* is a confirmation that the new password has been saved.
- ▶ To set the user password, select *Set User Password* and proceed exactly as when configuring the supervisor password.
- ↳ If you do not want to change any other settings, you can exit *BIOS Setup Utility*.
- ▶ In the *Exit* menu, select the option *Save Changes & Exit*.
- ▶ Select *Yes* and press the Enter key.
- ↳ The Tablet PC is rebooted and the new password is effective. It will now be necessary to first enter your supervisor or user password in order to open the *BIOS Setup Utility*. Please note that the user password only provides access to a few of the BIOS settings.

Changing the supervisor or user password

You can only change the supervisor password when you have logged into the *BIOS Setup Utility* with the supervisor password.

- ▶ Call the *BIOS Setup Utility* and go to the *Security* menu.
- ▶ When changing the password, proceed exactly as for password assignment.

Removing passwords

To remove a password (without setting a new password) perform the following steps:

- ▶ Start the *BIOS Setup Utility* and go to the *Security* menu.
- ▶ Highlight the *Set Supervisor Password* or *Set User Password* field and press the Enter key.
 - ↳ You will be requested to enter the current password by the *Enter Current Password* prompt. You will be requested to enter a new password by the *Enter New Password* prompt.
- ▶ Press the Enter key twice.
- ▶ In the *Exit* menu, select the option *Save Changes & Exit*.
- ▶ Select *Yes* and press the Enter key.
- ↳ The Tablet PC is rebooted and the password is cancelled.
 - Removing the supervisor password simultaneously deactivates the user password.

Password protection for booting of the operating system



With the supervisor password you have set in the *BIOS Setup Utility* (see section ["Setting supervisor and user password", Page 64](#)), you can also prevent booting of the operating system.

Activating system protection

- ▶ Start the *BIOS Setup Utility* and go to the *Security* menu.
- ▶ Select the *Password on Boot* option and press the Enter key.
- ▶ Select the desired option (*Disabled*, *First Boot* or *Every Boot*) and press the Enter key.
- ▶ Select the *Save Changes & Exit* option under *Exit*.
- ↳ The Tablet PC reboots. You will be prompted to enter your password (the supervisor password).

Deactivating system protection

- ▶ Start the *BIOS Setup Utility* and go to the *Security* menu.
- ▶ Select the *Password on Boot* option and press the Enter key.
- ▶ Select the *Disabled* option and press the Enter key.
- ↳ If you do not want to change any other settings, you can exit *BIOS Setup Utility*.
- ▶ Select the *Save Changes & Exit* option under *Exit*.
- ↳ The Tablet PC reboots. The system is no longer password-protected.

Password protection for the hard disk



The hard disk password prevents unauthorised access to the hard disk drives and is checked internally each time the system is booted. The condition for this is that you have assigned at least the supervisor password.

Activating hard disk protection

- ▶ Call up the *BIOS Setup* and select the *Security* menu.
- ↳ If you have not assigned BIOS passwords yet, define the supervisor and the user password now, if desired (see ["Security functions", Page 62](#)).
- ▶ Mark the *Hard Disk Security* field and press the Enter key.
- ▶ In the *Drive0* area mark the *Set Master Password* field and press the Enter key.
- ↳ *Enter new Password* then appears and you are asked to enter a password.
- ▶ Enter the password and press the Enter key.
- ↳ *Confirm new Password* requires you to confirm the password.
- ▶ Enter the password again and press the Enter key.
- ↳ *Setup Notice: Changes have been saved* is displayed to confirm that the new password has been saved.
- ▶ To assign the password for the second hard disk (*Drive1*), go to the *Drive1* area and select the field *Set Master Password*, then proceed in exactly the same way as for setting up the password for the first hard disk (*Drive0*).
- ↳ The field *Password Entry on Boot* is set to *Enabled* by default. You can exit the *BIOS Setup* once you have finished changing the settings.
- ▶ From the *Exit* menu, choose the option *Exit Saving Changes*.
- ▶ Press the Enter key and select *Yes*.
- ↳ The Tablet PC reboots and your hard disk is now protected with a password. The password prompt is enabled as soon as the Tablet PC has rebooted.

Deactivating hard disk protection

To cancel a password without setting a new one, proceed as follows:

- ▶ Call up the *BIOS Setup* and select the *Security* menu.
- ▶ Mark the *Hard Disk Security* field and press the Enter key.
- ▶ In the *Drive0* area mark the *Set Master Password* field and press the Enter key.
- ↳ You will be initially requested to enter the old password by the *Enter current Password* prompt. You will then be requested to enter a new password by the *Enter new Password* prompt.
- ▶ After entering the password, press the Enter key three times.
- ▶ From the *Exit* menu, choose the option *Exit Saving Changes*.
- ▶ Press the Enter key and select *Yes*.
- ↳ The Tablet PC reboots and there is no longer any password protection for this hard disk.
- ▶ To cancel the password for the second hard disk (*Drive1*), go to the *Drive1* area and select the field *Set Master Password*, then proceed in exactly the same way as for cancelling the password for the first hard disk (*Drive0*).

SmartCard reader (optional)

SmartCards are not supplied as standard equipment. You can use all SmartCards that comply with the ISO standard 7816-1, -2 or -3. These SmartCards are available from various manufacturers.

With the appropriate software you can use your SmartCard as an alternative to password protection, but also as a digital signature, for encrypting your e-mails or for home banking.

We recommend that you always use two SmartCards. Always keep one of the SmartCards in a safe place if you are carrying the other SmartCard with you.

In order to be able to take advantage of all the security features of your Tablet PC, you will need a CardOS SmartCard from Fujitsu Technology Solutions.



The SmartCard can only be used with a PIN, offering maximum protection even if you lose the SmartCard. In order to maximise your security, the CardOS SmartCard is disabled if three incorrect attempts are made to enter the PIN.

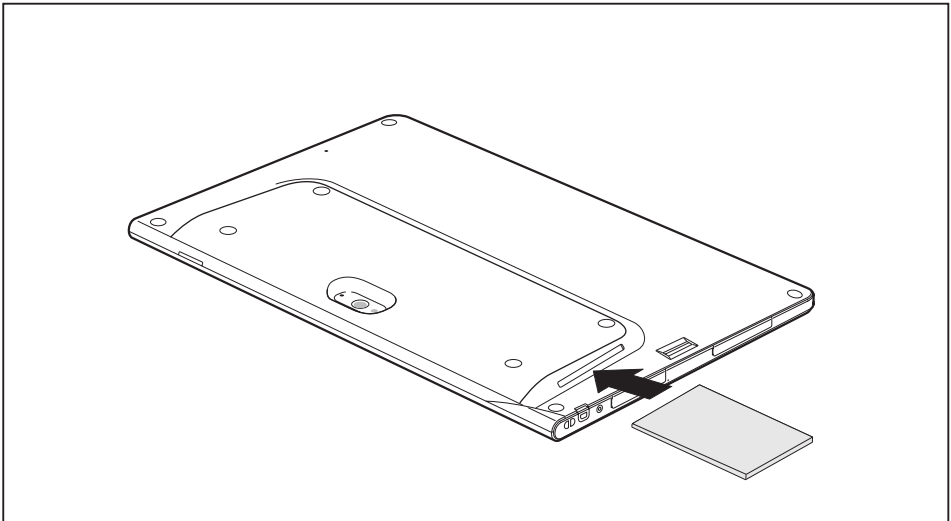
When you use the CardOS SmartCard for the first time, you will either need to enter the preset PIN "12345678" or the PIN given to you by your systems administrator.

Inserting the SmartCard



Do not use force when inserting and removing the SmartCard.

Make sure that foreign objects do not fall into the SmartCard reader.



- ▶ Push the SmartCard into the SmartCard reader with the chip facing the rear of the Tablet PC.

Trusted Platform Module (TPM) (device-dependent)

To use the TPM, you **must** activate the TPM in the *BIOS Setup* before the software is installed. The condition for this is that you have assigned at least the supervisor password (see ["Security functions", Page 62](#)).

Enabling TPM

- Requirement: You have assigned a supervisor password, see ["Security functions", Page 62](#).
- ▶ Call up the BIOS Setup and select the *Security* menu.
- ▶ Mark the *TPM Security Chip Setting* field and press the Enter key.
- ▶ Select *Enabled* to activate the TPM.
- ↳ Once you have activated the TPM the *Clear Security Chip* option appears.
Select *Clear Security Chip* to delete the holder in the TPM. By clicking on *Enabled*, all secret keys (e.g. SRK - Storage Root Keys, AIK - Attestation Identity Keys etc.) generated by applications are deleted.

Please note that you will then no longer be able to access the data you have encrypted with the keys based on that holder.
- ▶ Select the *Exit Saving Changes* option in the Exit menu.
- ▶ Press the Enter key and select *Yes*.
- ↳ The Tablet PC restarts and the TPM is switched on after the reboot.

Disabling TPM

- Requirement: You have assigned a supervisor password, see ["Security functions", Page 62](#).
- ▶ Call up the BIOS Setup and select the *Security* menu.
- ▶ Mark the *TPM Security Chip Setting* field and press the Enter key.
- ▶ Select *Disabled* to deactivate the TPM.
- ▶ From the *Exit* menu, choose the option *Exit Saving Changes*.
- ▶ Press the Enter key and select *Yes*.
- ↳ The Tablet PC is rebooted and the TPM is disabled.

Connecting external devices



Under all circumstances, please observe the safety notes provided in the ["Important notes", Page 12](#) chapter before connecting or disconnecting any devices to or from your Tablet PC.

Always read the documentation supplied with the device you wish to connect.

Never connect or disconnect cables during a thunderstorm.

Never pull at a cable when disconnecting it. Always grasp the plug.

Adhere to the order described below when you connect external devices to the Tablet PC or separate them from it:



With some devices, such as USB devices, it is not necessary to switch off the Tablet PC and the device before connecting/disconnecting. For more information about whether or not devices need to be switched off, please refer to the documentation supplied with the external device.

Some of the external devices require special drivers (see the operating system and external device documentation).

Connecting devices to the Tablet PC (or to the Cradle / Keyboard Docking).

1. Switch off the Tablet PC and all external devices.
2. Remove the mains plug for the Tablet PC and all relevant devices from the sockets.
3. Connect the cables for your external devices following the instructions.
4. Plug all power cables into the mains sockets.

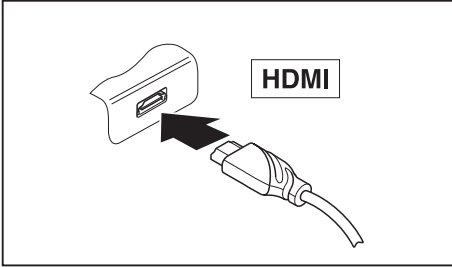
Disconnecting devices from the Tablet PC (or from the Cradle / Keyboard Docking)

1. Switch off the Tablet PC and all external devices.
2. Remove the mains plug for the Tablet PC and all relevant devices from the sockets.
3. Disconnect the cables for your external devices following the instructions.

Connecting an external monitor

HDMI port (only Multi-functional Cradle and Keyboard Docking)

The HDMI port can be used to connect an external amplifier, LCD TV or a plasma TV with an HDMI connection.



- ▶ Connect the data cable to the external device.
- ▶ Connect the data cable to the HDMI port.

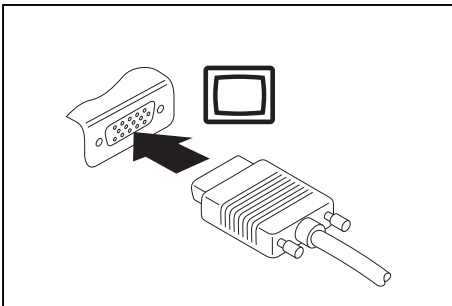


Some LCD televisions have only two loudspeaker ports and therefore cannot reproduce Dolby Digital or DTS. To play back HDMI sound, you must change the HDMI sound settings accordingly.

You can find the settings under *Control Panel - Hardware and Sound*. Deactivate the settings for DTS Audio and Dolby Digital to enable playback of HDMI sound.

VGA monitor port (only Multi-functional Cradle and Keyboard Docking)

An analogue monitor is connected to the analogue VGA monitor port. The display output is limited to a maximum of two screens at the same time.



- ▶ Switch off the Tablet PC and the external monitor.
- ▶ Plug the data cable of the external monitor into the monitor port.
- ▶ First switch on external monitor and then the Tablet PC.



You can also switch back and forth between the external monitor and the LCD screen of the Tablet PC, see ["Touchscreen", Page 27](#).

You can display the same picture on the external monitor and the LCD screen of the Tablet PC simultaneously.

Connecting USB devices

On the USB ports, you can connect external devices that also have a USB port (e.g. a DVD drive, a printer, a scanner or a modem).



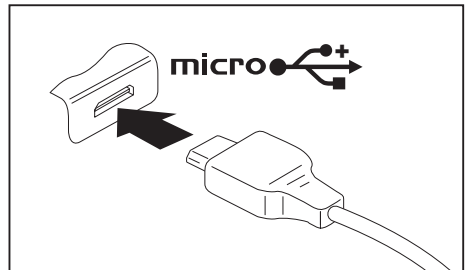
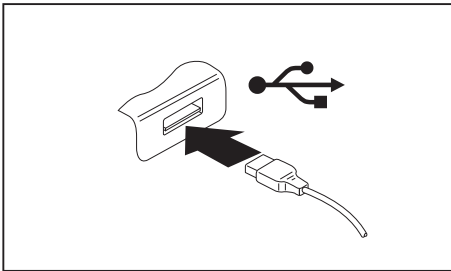
USB devices are hot-pluggable. This means you can connect and disconnect devices while your operating system is running.

USB 1.x has a maximum data transfer rate of 12 Mbit/s.

USB 2.0 has a data transfer rate of up to 480 Mbit/s.

USB 3.0 has a data transfer rate of up to 5 Gbit/s.

Additional information can be found in the documentation for the USB devices.



- ▶ Connect the data cable to the external device.
- ▶ Connect the data cable to a USB port (Tablet PC, Keyboard Docking or Cradle) or micro USB port (Tablet PC only).



Device drivers

USB devices will be automatically recognised and installed by your operating system.

How to remove USB devices correctly

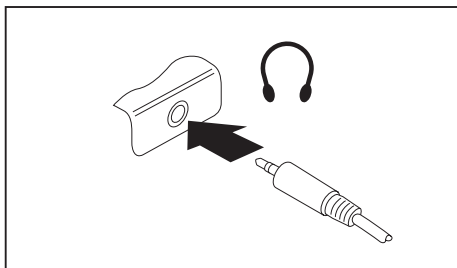


Always correctly remove the device according to the rules described below, to ensure that none of your data is lost.

- ▶ Tap the symbol for safe removal of the hardware.
- ▶ Select the device which you want to shut down and remove.
- ▶ Tap *OK*.
- ↳ Wait for the dialogue box which tells you that it is now safe to remove the device.

Headphone port

Via the headphone port, you can connect either a headphone or an external speaker to your Tablet PC.



- ▶ Connect the audio cable to the external device.
- ▶ Connect the audio cable to the headphone port of the Tablet PC.
- ↳ The internal loudspeakers are disabled.



If you purchase a cable from a retailer, please note the following information:

The headphone port on your Tablet PC is a "3.5 mm jack socket".

If you want to connect headphones or a speaker you will need a "3.5 mm jack plug".

Settings in BIOS Setup Utility



To navigate more easily in the *BIOS Setup Utility*, you can use an external USB keyboard.

The *BIOS Setup Utility* allows you to set the system functions and the hardware configuration for the Tablet PC.

When it is delivered, the Tablet PC is set to factory default settings. You can change these settings in *BIOS Setup Utility*. Any changes you make take effect as soon as you save and exit the *BIOS Setup Utility*.

The *BIOS Setup Utility* program contains the following menus:

<i>About</i>	Displays information relating to the BIOS, processor and Tablet PC
<i>System</i>	Advanced system settings
<i>Advanced</i>	Configuration of various hardware components, such as mouse, keyboard, processor
<i>Security</i>	Password settings and security functions
<i>Boot</i>	Configuration of the start-up sequence
<i>Exit</i>	Exits the <i>BIOS Setup Utility</i>

Starting the BIOS Setup Utility

- ▶ Keep the "Lock screen orientation" tablet button pressed and switch the Tablet PC on.
- ▶ If a password has been assigned, enter the password and press the Enter key.



If you have forgotten the password, contact your system administrator or contact our customer service centre.

The *BIOS Setup Utility* starts.

Operating BIOS Setup Utility



Press the **F1** key to display help on the operation of the *BIOS Setup Utility*. The description of the individual settings is shown in the right-hand window of the *BIOS Setup Utility*.

With the **F9** key you can load the default settings of the *BIOS Setup Utility*.

- ▶ Use the cursor keys **←** or **→** to select the menu you wish to access to make changes.
- ↳ The menu is displayed on the screen.
- ▶ Select the option you want to change with the cursor keys **↑** or **↓**.
- ▶ Press the Enter key.
- ▶ Press the **ESC** key to exit the selected menu.
- ▶ For future reference, make a note of the changes you have made (for example, in this manual).

Exiting BIOS Setup Utility

You need to select the desired option in the *Exit* menu and activate it by pressing the Enter key:

Exit Saving Changes - save changes and exit BIOS Setup Utility

- ▶ To save the current menu settings and exit the *BIOS Setup Utility*, select *Exit Saving Changes* and *Yes*.
- ↳ The Tablet PC is rebooted and the new settings come into effect.

Exit Discarding Changes – Discard changes and exit BIOS Setup Utility

- ▶ To discard the changes, select *Exit Discarding Changes* and *Yes*.
- ↳ The settings in place when *BIOS Setup Utility* was called remain effective. The *BIOS Setup Utility* is terminated and the Tablet PC is rebooted.

Load Setup Defaults – Copy Standard Entries

- ▶ To copy the standard entries for all menus of the *BIOS Setup Utility*, choose *Load Setup Defaults* and *Yes*.

Discard Changes – Discard changes without exiting the BIOS Setup Utility

- ▶ To discard the changes you have made, select *Discard Changes* and *Yes*.
- ↳ The settings in place when *BIOS Setup Utility* was called remain effective. You can now make additional settings in the *BIOS Setup Utility*.
- ▶ If you want to exit *BIOS Setup Utility* with these settings, select *Exit Saving Changes* and *Yes*.

Save Changes - save changes without exiting the BIOS Setup Utility

- ▶ To save the changes, select *Save Changes* and *Yes*.
- ↳ The changes are saved. You can now make additional settings in the BIOS Setup Utility.
- ▶ If you want to exit BIOS Setup Utility with these settings, choose *Exit Saving Changes* and *Yes*.

Save Changes and Power Off

- ▶ To save the changes and switch off your device, select *Save Changes and Power Off* and *Yes*.
- ↳ The changes are saved. Your device is shut down.

Troubleshooting and tips



Follow the safety notes in the "Safety/Regulations" manual when connecting or disconnecting cables.

If a fault occurs, try to correct it as described. If you fail to correct the problem, proceed as follows:

- ▶ Make a note of the steps and the circumstances that led to the fault. Also make a note of any error messages displayed.
- ▶ Switch the Tablet PC off.
- ▶ Please contact the Hotline/Service Desk.



You can find the telephone numbers in the service desk list. Please have the following information ready when you call:

- The model name and serial number of the Tablet PC. The serial number is located on a sticker on the underside of the Tablet PC.
- Notes of any messages that appear on the screen and information on acoustic signals.
- Any changes you have made to the hardware or software after receiving the Tablet PC.
- Any changes you have made to the *BIOS Setup* settings after receiving the Tablet PC.
- Your system configuration and all peripheral devices connected to your system.
- Your sales contract.



Our Tablet PCs have been designed primarily with mobile applications in mind. This means that considerable effort has been made to optimise components and equipment in terms of weight, space and energy requirements. Depending on the particular configuration you have purchased, it is possible that functionality may be slightly reduced compared to a desktop PC if you are running processor-intensive gaming software, e.g. games with intensive 3D graphics. Updating your hardware with drivers which have not been approved by Fujitsu Technology Solutions may result in performance losses, data losses or malfunction of the equipment. A list of approved drivers and current BIOS versions can be downloaded from: ["http://support.ts.fujitsu.com/Download/Index.asp"](http://support.ts.fujitsu.com/Download/Index.asp)

Help if problems occur

Should you encounter a problem with your computer that you cannot resolve yourself:

- ▶ Note the ID number of your device. The ID number is found on the type rating plate on the back or underside of the casing.
- ▶ For further clarification of the problem, contact the Service Desk for your country (see the Service Desk list or visit the Internet at ["http://support.ts.fujitsu.com/contact/servicedesk/ServiceDeskNumber_Int.asp"](http://support.ts.fujitsu.com/contact/servicedesk/ServiceDeskNumber_Int.asp)). When you do this, please have ready the ID number and serial number of your system.

The Tablet PC's date or time is incorrect

Cause	Troubleshooting
Time and date are incorrect.	▶ With the <i>BIOS-Setup-Utility</i> , you can set the date and time in the <i>main</i> menu.
Date and time are still set incorrectly after switching on the Tablet PC.	▶ Please contact your sales outlet or our Hotline/Service Desk.

Battery indicator does not illuminate

Cause	Fault elimination
The battery is fully discharged.	▶ Charge the battery. or ▶ Connect the Tablet PC to a mains outlet using the mains adapter.

The Tablet PC's touchscreen remains dark

Cause	Troubleshooting
Touchscreen is switched off.	▶ Press a key (external keyboard) or tap on the touchscreen.
External monitor or television set connected.	▶ Check whether the graphics driver settings are correct or whether an external monitor has been detected in "Intel Graphics Media Accelerator Driver for mobile".

The display on the Tablet PC's touchscreen is difficult to read.

Cause	Troubleshooting
Reflected glare	▶ Move the Tablet PC into a different position. ▶ Increase the brightness of the screen.

The external monitor remains blank

Cause	Troubleshooting
Monitor is switched off.	▶ Switch the external monitor on.
Power saving has been activated (monitor is blank).	▶ Press a key (external keyboard) or tap on the touchscreen.
Brightness is set to dark.	▶ Adjust the brightness of the monitor.
Screen output is set on the Tablet PC's touchscreen.	▶ Check whether the graphics driver settings are correct or whether an external monitor has been detected in "Intel Graphics Media Accelerator Driver for mobile".
The external monitor's power cable or data cable is not connected properly.	<ul style="list-style-type: none"> ▶ Switch off the Tablet PC and the external monitor. ▶ Check whether the power cable is plugged properly into the external monitor and into the power socket. ▶ Check whether the data cable is properly connected to the Tablet PC and the external monitor (if it is plugged in with a connector). ▶ Switch on the Tablet PC and the external monitor.

The external monitor is blank or the image is unstable

Cause	Troubleshooting
The wrong external monitor has been selected or the wrong screen resolution has been set for the application program.	<ul style="list-style-type: none"> ▶ Terminate the application program in Windows. If the error persists after terminating the program, use the key combination for switching the screen output in order to switch to the touchscreen of the Tablet PC. Change the following setting: ▶ Set the screen resolution: Set the screen resolution as described in the documentation for your operating system. ▶ Select monitor: Select monitor 1 or 2 as described in the documentation for your operating system.

The cursor does not correctly follow the pen movements

Cause	Fault elimination
Pen incorrectly calibrated	▶ Calibrate the pen as described in chapters "Setting the pen", Page 35 and "Calibrating the pen", Page 36 .

Pen input not working

Cause	Troubleshooting
Incorrect driver installed.	<ul style="list-style-type: none"> ▶ If your device is one which can only be operated using the pen, install the driver for the standard model. <p style="margin-left: 20px;">or</p> <ul style="list-style-type: none"> ▶ If your device is one which can be operated using the pen and by finger, install the driver for the "Dual Digitizer" model.

The Tablet PC does not start after switch on

Cause	Troubleshooting
The battery is dead.	<ul style="list-style-type: none"> ▶ Charge the battery. <p style="margin-left: 20px;">or</p> <ul style="list-style-type: none"> ▶ Connect the mains adapter to the Tablet PC.
The power adapter is not connected correctly.	<ul style="list-style-type: none"> ▶ Check whether the mains adapter is connected correctly to the Tablet PC. ▶ Switch on the Tablet PC.

The Tablet PC stops working

Cause	Troubleshooting
The Tablet PC is in energy saving mode.	<ul style="list-style-type: none"> ▶ Leave energy saving mode.
An application programme has caused the malfunction.	<ul style="list-style-type: none"> ▶ Close the application program or restart the Tablet PC (by restarting the operating system or switching the device off and back on again).
The battery is dead.	<ul style="list-style-type: none"> ▶ Charge the battery. <p style="margin-left: 20px;">or</p> <ul style="list-style-type: none"> ▶ Connect the mains adapter to the Tablet PC.

The printer does not print

Cause	Troubleshooting
The printer is not switched on.	<ul style="list-style-type: none"> ▶ Make sure that the printer is switched on and ready for operation (refer to the documentation supplied with the printer).
The printer is not connected correctly.	<ul style="list-style-type: none"> ▶ Check that the data cable connecting the Table PC to the printer is properly connected.
The printer driver is faulty or not correctly installed, or it is the wrong printer driver.	<ul style="list-style-type: none"> ▶ Check that the data cable connecting the Tablet PC to the printer is properly connected. ▶ Check whether the correct printer driver is loaded (refer to the printer documentation).

The radio connection to a network does not work

Cause	Troubleshooting
The wireless component is disabled.	<ul style="list-style-type: none"> ▶ Switch the radio component on (see "Switching the wireless components on and off", Page 44).
The wireless component is enabled. Despite this, the wireless connection to a network does not work.	<ul style="list-style-type: none"> ▶ Check whether the radio connection is switched on via the software. ▶ Further information on using the radio component can be found in the help files.

The battery discharges too quickly

Cause	Troubleshooting
The battery is either too hot or too cold. In this case the battery indicator flashes.	<ul style="list-style-type: none"> ▶ Bring the Tablet PC up/down to a normal temperature again. ▶ If the operating time of the battery life is extremely short, the battery is probably too old. Replace battery if necessary.
You may have an application running that consumes a great deal of power due to frequent accessing of the hard disk or optical drive.	<ul style="list-style-type: none"> ▶ Use the mains adapter as frequently as possible.
The maximum brightness may have been set for the screen.	<ul style="list-style-type: none"> ▶ Reduce the brightness of the screen to lower energy consumption: You will find the setting under <i>Control Panel – Hardware and Sounds – Windows Mobility Center</i>.

SmartCard reader is not recognised

Cause	Troubleshooting
Chip card inserted incorrectly.	<ul style="list-style-type: none"> ▶ Make sure you have inserted your SmartCard into the SmartCard reader with the chip facing upwards. ▶ Check whether the SmartCard you are using is supported. Your SmartCard must comply with the ISO standard 7816-1, -2, -3 and -4.

SmartCard PIN forgotten

Cause	Troubleshooting
PIN forgotten	<ul style="list-style-type: none"> ▶ If you work in a network, contact your system administrator, who can unlock your Tablet PC with a supervisor PIN.

User and/or supervisor SmartCard lost

Cause	Troubleshooting
User and/or supervisor SmartCard lost	<ul style="list-style-type: none"> ▶ If you have lost your User SmartCard, you can continue working with the Supervisor SmartCard and initialise a new User SmartCard or deactivate the SystemLock function. ▶ If you have lost the Supervisor SmartCard, you can continue working, but you no longer have all your rights and can no longer initialise a Supervisor SmartCard. ▶ If you have lost both SmartCards, you can no longer boot your system. Please contact our Service Desk. You must provide proof of ownership for the device. Then the Service Desk will refer you to our service partner, who will unlock your device (for a charge).

SmartCard lost

Cause	Troubleshooting
SmartCard lost	<ul style="list-style-type: none"> ▶ If you work in a network, contact your system administrator, who can boot your Tablet PC with a Supervisor SmartCard.

Acoustic warnings

Cause	Troubleshooting
A beep sounds every few seconds. The battery is almost flat.	▶ Charge the battery.

Error messages on the screen

This section describes the error messages generated by the BIOS Setup. Error messages displayed by the operating system or programmes are described in the relevant documentation.



If the error message appears repeatedly, despite troubleshooting measures, please contact the place of purchase or our customer service centre.

Error message/cause	Resolution
<p><i>CMOS battery bad</i></p> <p>If the error message occurs repeatedly, the buffer battery in the Tablet PC is flat.</p>	<ul style="list-style-type: none"> ▶ Contact your sales outlet or our customer service centre.
<p><i>System CMOS checksum bad - default configuration used</i></p> <p>The system configuration information is incorrect.</p>	<ul style="list-style-type: none"> ▶ Switch off the Tablet PC. ▶ Switch on the Tablet PC. ▶ In the <i>BIOS Setup</i>, select the <i>Exit</i> menu. ▶ Select the entry <i>Load Setup Defaults</i>. ▶ Select <i>OK</i> and press the Enter key.
<p><i>Extended memory failed at offset: xxxx Failing Bits: zzzz zzzz</i></p> <p>When testing the extended memory an error has resulted at the address xxxx.</p>	<ul style="list-style-type: none"> ▶ Contact your sales outlet or our customer service centre.
<p><i>Failure Fixed Disk n</i></p> <p>The settings of the hard disk drive are incorrect.</p>	<ul style="list-style-type: none"> ▶ Start the <i>BIOS Setup (Primary Master submenu)</i> and select the correct settings.
<p><i>Keyboard controller error</i></p>	<ul style="list-style-type: none"> ▶ Switch off your Tablet PC with the ON/OFF switch. ▶ Wait 3 - 5 seconds and switch on the Tablet PC again.
<p><i>Keyboard error</i></p>	<p>If you are using an external keyboard:</p> <ul style="list-style-type: none"> ▶ Check the connection and reboot the Tablet PC.
<p><i>nm Stuck key</i></p>	<ul style="list-style-type: none"> ▶ Make sure that no key is pressed.
<p><i>Operating system not found</i></p>	<ul style="list-style-type: none"> ▶ Check in the <i>BIOS Setup</i> whether your hard disk has been set correctly. ▶ Make sure that the operating system is installed on the corresponding drive.
<p><i>Press <F1> to resume, <F2> to SETUP</i></p> <p>This error message appears if an error occurs during the self-test before starting the operating system.</p>	<ul style="list-style-type: none"> ▶ Press the [Alt] key on the Tablet PC to boot the operating system
<p><i>Real time clock error</i></p>	<ul style="list-style-type: none"> ▶ Contact your sales outlet or our customer service centre.
<p><i>mmmK Shadow RAM failed at offset: xxxx Failing Bits: zzzz</i></p>	<ul style="list-style-type: none"> ▶ Contact your sales outlet or our customer service centre.
<p><i>System battery is dead - Replace and run SETUP</i></p>	<ul style="list-style-type: none"> ▶ Contact your sales outlet or our customer service centre.
<p><i>System cache error - Cache disabled</i></p>	<ul style="list-style-type: none"> ▶ Contact your sales outlet or our customer service centre.
<p><i>System timer error</i></p>	<ul style="list-style-type: none"> ▶ Contact your sales outlet or our customer service centre.

Technical data

Tablet PC

General	
Processor	Core i5 or Core i7 (depending on configuration)
Main memory (SO DIMM)	<ul style="list-style-type: none"> • Core i5: 4 GB • Core i7: 8 GB
Electrical data	
Safety regulations complied with	CE
Protection class	II
Maximum power consumption: (when the Tablet PC is switched on, connected to the attachable keyboard and the battery is charged):	65 W
Touchscreen	
Size	12.5" Full HD Wide View IPS
Resolution	1920 x 1080 pixels/16 million colours
Pixel class	II
Brightness control	12 levels
Technology	Wide-View High-Bright Display with LED background lighting
Digitizer and glass panel	Dual digitizer with glare touch screen
Cameras	<ul style="list-style-type: none"> • Front: HD camera • Back: 8 megapixel, autofocus, mobile light
Graphics card	
Chip	Intel (c) HD Graphics 4400
Maximum resolution on external display:	1920 x 1200
Dimensions	
Width x depth x height	309.6 mm x 199.3 mm x 11.9 mm (depending on back cover)
Weight depending on configuration	from 954 g
Input devices	
Tablet buttons	3 keys
Pen	Active pen with one press-button
Slots	
Memory card slot	1 x Micro SD
SIM card slot	1 x Micro SIM
Ports	
Headphone port	3.5 mm stereo mini jack
Docking port	1 x
USB (Universal Serial Bus)	1 x USB 3.0, 1 x micro USB 2.0

Ambient conditions	
Environment class DIN IEC 721	7K1
Mechanism class DIN IEC 721	7M2
Operating temperature	5°C 35°C
Transport temperature (2K2)	-15 °C 60 °C

Rechargeable battery



You can find information on the batteries used in your device on the Internet at ["http://fujitsu.com/fts/support"](http://fujitsu.com/fts/support).

	3-cell lithium polymer battery 4250 mAh
Rated voltage	10.8 V
Rated capacity	46 Wh

Mains adapter (65 W)

Rated voltage	19 V
Max. rated current	3.16 A

An additional mains adapter or power cable can be ordered at any time.

Multi-functional Cradle (optional)

Electrical data	
Safety regulations complied with	CE
Protection class	II
Ports	
USB (Universal Serial Bus)	4 x USB 3.0
Docking port	40-pin
LAN port	1 x
VGA monitor port	1 x
HDMI port	1 x
Ambient conditions	
Environment class DIN IEC 721	7K1
Mechanism class DIN IEC 721	7M2
Operating temperature	5 °C 35°C
Transport temperature	-15 °C 60 °C

Slice Keyboard (optional)

Electrical data	
Safety regulations complied with	CE
Protection class	II
Ports	
Docking port	40-pin
Ambient conditions	
Environment class DIN IEC 721	7K1
Mechanism class DIN IEC 721	7M2
Operating temperature	5 °C 35°C
Transport temperature	-15 °C 60 °C

Keyboard Docking (optional)

Electrical data	
Safety regulations complied with	CE
Protection class	II
Ports	
Docking port	16-pin
USB (Universal Serial Bus)	2 x USB 3.0
VGA monitor port	1 x
LAN port	1 x
HDMI port	1 x
Ambient conditions	
Environment class DIN IEC 721	7K1
Mechanism class DIN IEC 721	7M2
Operating temperature	5 °C 35°C
Transport temperature	-15 °C 60 °C

VESA mount (optional)

Dimensions	
Width x depth x height	approx. 218 mm x 103.5 mm x 13.5 mm
Weight	approx. 120 g

Hand strap (optional)

Dimensions	
Width x depth x height	approx. 480 mm x 77 mm x 13 mm
Weight	approx. 30 g

Shoulder strap (optional)

Dimensions	
Length x depth x height	approx. 1270 mm x 25 mm x 5 mm
Weight	approx. 25 g

Manufacturer's notes

Disposal and recycling

You can find information on this subject on your Tablet PC or on our website (["http://www.fujitsu.com/fts/about/fts/environment-care/"](http://www.fujitsu.com/fts/about/fts/environment-care/)).

Declarations of Conformity

The "Declarations of Conformity" for the device can be found on the Internet at: ["http://globalsp.ts.fujitsu.com/sites/certificates/default.aspx"](http://globalsp.ts.fujitsu.com/sites/certificates/default.aspx).

Fujitsu Technology Solutions hereby declares that your device is in compliance with the essential requirements and other relevant provisions of Directive 1999/5/EC.

CE marking

The shipped version of this device complies with the requirements of European Union directives 2004/108/EC "Electromagnetic compatibility", 2006/95/EC "Low voltage directive" and 2009/125/EC "Ecodesign".

CE marking for devices with radio component

This equipment complies with the requirements of Directive 1999/5/EC of the European Parliament and Commission from 9 March, 1999 governing Radio and Telecommunications Equipment and mutual recognition of conformity.

CE nnnn (!) ; nnnn: numeric number and alert mark (!) see label on product.

You can find more information and declarations of conformity on the Internet at: ["http://globalsp.ts.fujitsu.com/sites/certificates"](http://globalsp.ts.fujitsu.com/sites/certificates).

This equipment can be used in the following countries:

Belgium	Bulgaria	Denmark	Germany
Estonia	Finland	France	Greece
UK	Ireland	Iceland	Italy
Latvia	Liechtenstein	Lithuania	Luxembourg
Malta	Netherlands	Norway	Austria
Poland	Portugal	Rumania	Sweden
Switzerland	Slovakia	Slovenia	Spain
Czech Republic	Hungary	Cyprus	Croatia

Contact the corresponding government office in the respective country for current information on possible operating restrictions. If your country is not included in the list, then please contact the corresponding supervisory authority as to whether the use of this product is permitted in your country.

Regulatory notices



If there is no FCC logo and also no FCC ID on the device then this device is not approved by the Federal Communications Commission (FCC) of the USA. Although it is not explicitly forbidden to travel in the US trading area carrying this device, to avoid trouble at customs clearance, Fujitsu Technology Solutions GmbH recommends not to bring this device into the US trading area.

Regulatory information for Tablet PCs without radio device

NOTICE:

Changes or modifications not expressly approved by Fujitsu Technology Solutions could void this user's authority to operate the equipment.

Notice to Users of Radios and Television

These limits are designed to provide reasonable protection against harmful interference in a residential installation. This equipment generates, uses, and can radiate radio frequency energy and, if not installed and used in accordance with the instructions, may cause harmful interference to radio communications. However, there is no guarantee that interference will not occur in a particular installation. If this equipment does cause harmful interference to radio or television reception, which can be determined by turning the equipment off and on, the user is encouraged to try to correct the interference by one or more of the following measures:

- Reorient or relocate the receiving antenna.
- Increase the separation between the equipment and receiver.
- Connect the equipment into an outlet that is on a different circuit than the receiver.
- Consult the dealer or an experienced radio/TV technician for help.

Notice to Users of the US Telephone Network

Your Tablet PC may be supplied with an internal modem which complies with Part 68 of the FCC rules. On this Tablet PC is a label that contains the FCC Registration Number and the Ringer Equivalence Number (REN) for this equipment among other information. If requested, the user must provide their telephone company with the following information:

1. The telephone number to which the Tablet PC is connected.
2. The Ringer Equivalence Number (REN) for this equipment.
3. The equipment requires a standard modular jack type USOC RJ-11C which is FCC Part 68 compliant.
4. The FCC Registration Number.

This equipment is designed to be connected to the telephone network or premises wiring using a standard modular jack type USOC RJ-11C which is FCC Part 68 compliant and a line cord between the modem and the telephone network with a minimum of 26AWG.

The REN is used to determine the number of devices that you may connect to your telephone line and still have all of those devices ring when your number is called. Too many devices on one line may result in failure to ring in response to an incoming call. In most, but not all, areas the sum of the RENs of all of the devices should not exceed five (5). To be certain of the number of devices you may connect to your line, as determined by the RENs, contact your local telephone company. If this equipment causes harm to the telephone network, your telephone company may discontinue your service temporarily. If possible, they will notify you in advance. If advance notice is not practical they will notify you as soon as possible. You will also be advised of your right to file a complaint with the FCC.

This fax modem also complies with fax branding requirements per FCC Part 68.

Your telephone company will probably ask you to disconnect this equipment from the telephone network until the problem is corrected and you are sure that the equipment is not malfunctioning. This equipment may not be used on coin-operated telephones provided by your telephone company. Connection to party lines is subject to state tariffs. Contact your state's public utility commission, public service commission or corporation commission for more information.

This equipment includes automatic dialing capability. When programming and/or making test calls to emergency numbers:

- Remain on the line and briefly explain to the dispatcher the reason for the call.
- Perform such activities in off-peak hours, such as early morning or late evening.

FCC rules prohibit the use of non-hearing aid compatible telephones in the following locations or applications:

- All public or semi-public coin-operated or credit card telephones.
- Elevators, highways, tunnels (automobile, subway, railroad or pedestrian) where a person with impaired hearing might be isolated in an emergency.
- Places where telephones are specifically installed to alert emergency authorities such as fire, police or medical assistance personnel.
- Hospital rooms, residential health care facilities, convalescent homes and prisons.
- Hotel, motel or apartment lobbies.
- Stores where telephones are used by patrons to order merchandise.
- Public transportation terminals where telephones are used to call taxis or to reserve lodging or rental cars.
- In hotel and motel rooms as at least ten percent of the rooms must contain hearing aid-compatible telephones or jacks for plug-in hearing aid compatible telephones which will be provided to hearing impaired customers on request.

DOC (Industry CANADA) notices

Notice to Users of Radios and Television

This Class B digital apparatus meets all requirements of Canadian Interference-Causing Equipment Regulations.

CET appareil numérique de la class B respecte toutes les exigence du Règlement sur le matériel brouilleur du Canada.

Notice to Users of the Canadian Telephone Network

NOTICE:

This equipment meets the applicable Industry Canada Terminal Equipment Technical Specifications. This is confirmed by the registration number. The abbreviation, IC, before the registration number signifies that registration was performed based on a Declaration of Conformity indicating that Industry Canada technical specifications were met. It does not imply that Industry Canada approved the equipment. Before connecting this equipment to a telephone line the user should ensure that it is permissible to connect this equipment to the local telecommunication facilities. The user should be aware that compliance with the certification standards does not prevent service degradation in some situations.

Repairs to telecommunication equipment should be made by a Canadian authorised maintenance facility. Any repairs or alterations not expressly approved by Fujitsu or

any equipment failures may give the telecommunication company cause to request the user to disconnect the equipment from the telephone line.

NOTICE:

The Ringer Equivalence Number (REN) for this terminal equipment is 0.0. The REN assigned to each terminal equipment provides an indication of the maximum number of terminals allowed to be connected to a telephone interface. The termination on an interface may consist of any combination of devices subject only to the requirement that the sum of the Ringer Equivalence Numbers of all the devices does not exceed five.



CAUTION:

For safety, users should ensure that the electrical ground of the power utility, the telephone lines and the metallic water pipes are connected together. Users should NOT attempt to make such connections themselves but should contact the appropriate electric inspection authority or electrician. This may be particularly important in rural areas.

Avis Aux Utilisateurs Du Réseau Téléphonique Canadien

AVIS : Le présent matériel est conforme aux spécifications techniques d'Industrie Canada applicables au matériel terminal. Cette conformité est confirmée par le numéro d'enregistrement. Le sigle IC, placé devant le numéro d'enregistrement, signifie que l'enregistrement s'est effectué conformément à une déclaration de conformité et indique que les spécifications techniques d'Industrie Canada ont été respectées. Il n'implique pas qu'Industrie Canada a approuvé le matériel.

Avant de connecter cet équipement à une ligne téléphonique, l'utilisateur doit vérifier s'il est permis de connecter cet équipement aux installations de télécommunications locales. L'utilisateur est averti que même la conformité aux normes de certification ne peut dans certains cas empêcher la dégradation du service.

Les réparations de l'équipement de télécommunications doivent être effectuées par un service de maintenance agréé au Canada. Toute réparation ou modification, qui n'est pas expressément approuvée par Fujitsu, ou toute défaillance de l'équipement peut entraîner la compagnie de télécommunications à exiger que l'utilisateur déconnecte l'équipement de la ligne téléphonique.

AVIS : L'indice d'équivalence de la sonnerie (IES) du présent matériel est de 0.0. L'IES assigné à chaque dispositif terminal indique le nombre maximal de terminaux qui peuvent être raccordés à une interface téléphonique. La terminaison d'une interface peut consister en une combinaison quelconque de dispositifs, à la seule condition que la somme d'indices d'équivalence de la sonnerie de tous les dispositifs n'excède pas 5.



AVERTISSEMENT:

Pour assurer la sécurité, les utilisateurs doivent vérifier que la prise de terre du service d'électricité, les lignes téléphoniques et les conduites d'eau métalliques sont connectées ensemble. Les utilisateurs NE doivent PAS tenter d'établir ces connexions eux-mêmes, mais doivent contacter les services d'inspection d'installations électriques appropriés ou un électricien. Ceci peut être particulièrement important en régions rurales.

UL Notice

This unit requires an AC adapter to operate. Only use a UL Listed Class 2 adapter. The correct output rating is indicated on the AC adapter label. Refer to the illustration below for the correct AC Adapter output polarity:



CAUTION:

To reduce the risk of fire, use only 26AWG or larger telecommunications line cord.

For Authorized Repair Technicians Only



CAUTION:

For continued protection against risk of fire, replace only with the same type and rating fuse.



WARNING:

Danger of explosion if Lithium (CMOS) battery is incorrectly replaced. Replace only with the same or equivalent type recommended by the manufacturer.

Dispose of used batteries according to the manufacturer's instructions.

FCC Regulatory information for Tablet PCs with radio device

Federal Communications Commission statement

This device complies with Part 15 of FCC Rules. Operation is subject to the following two conditions: (1) this device may not cause interference, and

(2) this device must accept any interference, including interference that may cause undesired operation of this device.

FCC Interference Statement

This equipment has been tested and found to comply with the limits for a Class B digital device, pursuant to Part 15 of the FCC Rules. These limits are designed to provide reasonable protection against harmful interference in a residential installation. This equipment generates, uses, and can radiate radio frequency energy. If not installed and used in accordance with the instructions, it may cause harmful interference to radio communications.

However, there is no guarantee that interference will not occur in a particular installation.

If this equipment does cause harmful interference to radio or television reception, which can be determined by turning the equipment off and on, the user is encouraged to try to correct the interference by one or more of the following measures:

1. Reorient or relocate the receiving antenna.
2. Increase the distance between the equipment and the receiver.
3. Connect the equipment to an outlet on a circuit different from the one the receiver is connected to.
4. Consult the dealer or an experienced radio/TV technician for help.

Please note the following regulatory information related to the optional radio device.

FCC Radio Frequency Exposure statement

This radio device has been evaluated under FCC Bulletin OET 65C and found compliant with the requirements as set forth in CFR 47 Sections 2.1091, 2.1093, and 15.247 (b) (4) addressing RF Exposure from radio frequency devices. The radiated output power of this radio device is far below the FCC radio frequency exposure limits. Nevertheless, this device shall be used in such a manner that the potential for human contact during normal operation is minimized. When using this device, a certain separation distance between antenna and nearby persons must be maintained to ensure RF exposure compliance. In order to comply with RF exposure limits established in the ANSI C95.1 standards, the distance between the antennas and the user should not be less than 20 cm (8 inches).

Regulatory Notes and Statements

Radio device, health and authorisation for use

Radio-frequency electromagnetic energy is emitted from the wireless devices. The energy levels of these emissions, however, are far much less than the electromagnetic energy emissions from wireless devices such as mobile phones. Radio devices are safe for use by consumers because they operate within the guidelines found in radio frequency safety standards and recommendations.

The use of the radio devices may be restricted in some situations or environments, such as:

- on board an airplane, or
- in an explosive environment, or
- in situations where the interference risk to other devices or services is perceived or identified as harmful.

In cases in which the policy regarding use of radio devices in specific environments is not clear (e.g., airports, hospitals, chemical/oil/gas industrial plants, private buildings), obtain authorization to use these devices prior to operating the equipment.

Regulatory Information/Disclaimers

Installation and use of this radio device must be in strict accordance with the instructions included in the user documentation provided with the product. Any changes or modifications made to this device that are not expressly approved by the manufacturer may void the user's authority to operate the equipment. The manufacturer is not responsible for any radio or television interference caused by unauthorized modification of this device, or the substitution or attachment of connecting cables and equipment other than those specified by the manufacturer. It is the responsibility of the user to correct any interference caused by such unauthorized modification, substitution or attachment. The manufacturer and its authorized resellers or distributors will assume no liability for any damage or violation of government regulations arising from failure to comply with these guidelines.

Export restrictions

This product or software contains encryption code which may not be exported or transferred from the US or Canada without an approved US Department of Commerce export license. This device complies with Part 15 of FCC Rules, as well as ICES 003 B / NMB 003 B. Operation is subject to the following two conditions:

- (1) this device may not cause harmful interference, and
- (2) this device must accept any interference received, including interference that may cause undesirable operation.

Modifications not expressly authorised by Fujitsu Technology Solutions may invalidate the user's right to operate this equipment.

Index

- A**
 - Acoustic error messages 82
 - Audio ports 72
- B**
 - Battery
 - battery life 38
 - caring for and maintaining 38
 - charge level 38–39
 - charging 38
 - Battery status meter 38
 - Battery:
 - discharges too quickly 80
 - BIOS Setup Utility
 - calling 73
 - exiting 75
 - operating 74
 - protecting with password 64
 - settings 73
 - Bluetooth, safety notes 12
 - Buffer battery, load 77
- C**
 - CE marking 88
 - Cleaning 16
 - Configuration, BIOS Setup Utility 73
 - Connecting audio devices 72
 - Connecting headphones 72
 - Cradle 47
 - Connecting a Tablet PC 48
- D**
 - Date is incorrect 77
 - Declaration of conformity 88
 - Device
 - setting up 21
 - Devices
 - connecting 69
 - disconnecting 69
 - Display orientation
 - selecting 28
 - DOC (INDUSTRY CANADA) NOTICES 90
- E**
 - Electromagnetic compatibility 88
 - Energy
 - energy saving 13
 - Energy saving 13
 - Energy saving mode
 - leaving 79
 - Error message:
 - on the screen 82
 - Error messages on the screen 82
 - Errors
 - Acoustic warnings 82
 - Ethernet LAN 45
- F**
 - Fault
 - correction 76
 - Fingerprint sensor 63
 - configure 63
 - First-time setup 20
- G**
 - Getting started 20
 - GPS 45
- H**
 - Hardware configuration 73
 - HDMI port 70
- I**
 - Important notes 12
 - Incorrect date/time 77
- L**
 - Landscape orientation
 - screen 28
 - Life, battery 38
 - Low voltage directive 88
- M**
 - Mains adapter
 - connecting 21
 - setting up 21
 - Memory card
 - handling 40
 - inserting 40
 - removing 41
 - Mobile operation 14
 - Monitor
 - connecting 70
 - drifting display 78
 - remains blank 78
 - Monitor port
 - see VGA connection socket 70

N

- Notes 12
 - CE marking 88
 - cleaning 16
 - disposal / recycling 88
 - energy saving 13
 - Safety 12
 - touchscreen 27
 - transport 14

O

- Operating system
 - activating system protection 65
 - cancel system protection 65
 - protecting with password 65

P

- Packaging 20
- Password
 - changing 65
 - entering 64
 - removing 65
- Password protection 64
- Password protection:
 - hard disk 66
- Peripheral devices
 - connecting 69
 - disconnecting 69
- Portrait orientation
 - screen 28
- Ports 47
- Power
 - power consumption 39
 - power-management features 39
- Power-on indicator 25
- Preparing for operation 21
- Printer does not print 80

R

- Radio component:
 - safety notes 12
- Rechargeable battery 38
 - see Battery 38
- Regulatory information
 - Tablet PCs with radio device 92
 - Tablet PCs without radio device 89

S

- Safety notes 12
- Screen
 - no screen display 78

- Screen port
 - see VGA connection socket 70
- Security functions 62
 - SystemLock 67
- Security functions,
 - SmartCard 67
- Selecting a location 21
- Setup
 - see BIOS Setup Utility 73
- Slot
 - Memory cards 40
- Status indicators 24
- Summer time 77
- Supervisor password
 - changing 65
 - entering 64
 - removing 65
- Suspend/Resume button 25
- Switching on for the first time 22
- Symbols
 - indicators 24
- System configuration 73
- System settings, BIOS Setup Utility 73

T

- Tablet PC
 - before you travel 14
 - cleaning 16
 - switching off 26
 - transporting 14
 - using 24
- Tablet PC, operation 24
- Tablet PC: switching on 25
- Technical data
 - Mains adapter 85
- The radio connection to a network does
 - not work 80
- The Tablet PC
 - cannot be started 79
 - doesn't work. 79
- Time not correct 77
- Time, daylight savings 77
- Tips 76
- Touchscreen
 - cleaning 16
 - difficult to read 77
 - notes 27
 - reflected glare 77
 - remains blank 77
- touchscreen is too dark 77
- TPM 68
- Transport
 - Transport damage 20

Transportation 14
Travel, Tablet PC 14
Troubleshooting 76
Trusted Platform Module 68

U

USB ports 71
User password
 changing 65
 entering 64
 removing 65

V

VGA connection socket 70

W

Webcam 37
Wireless LAN:
 safety notes 12