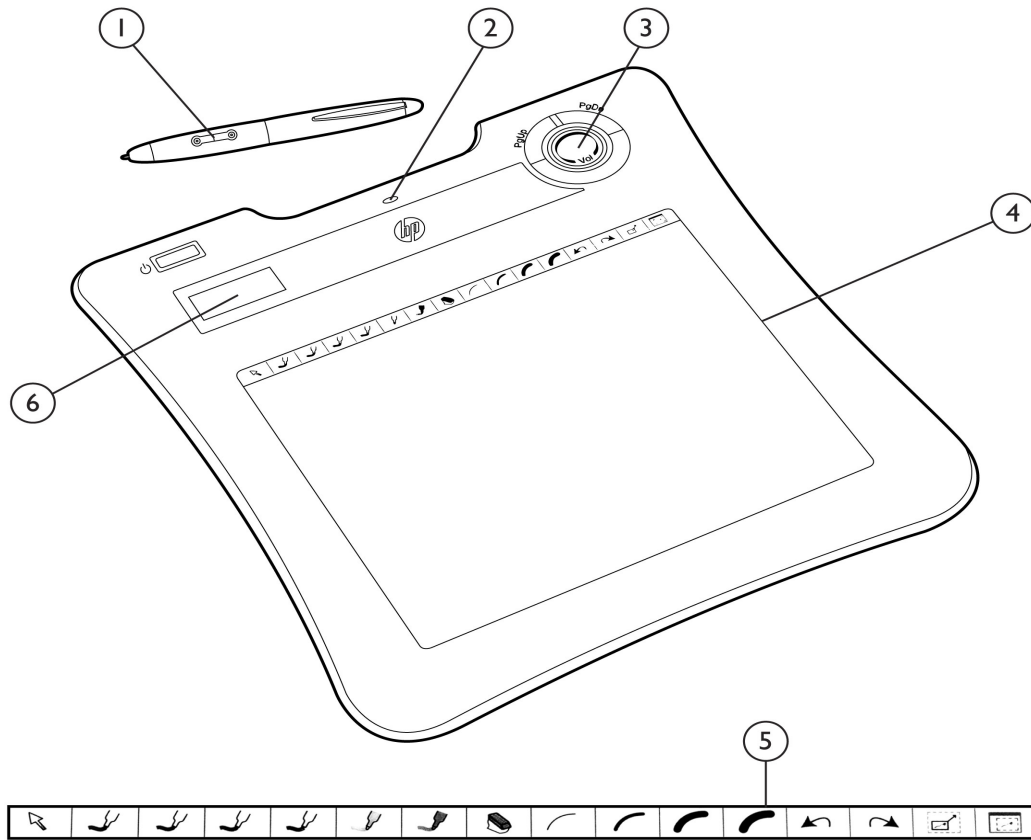
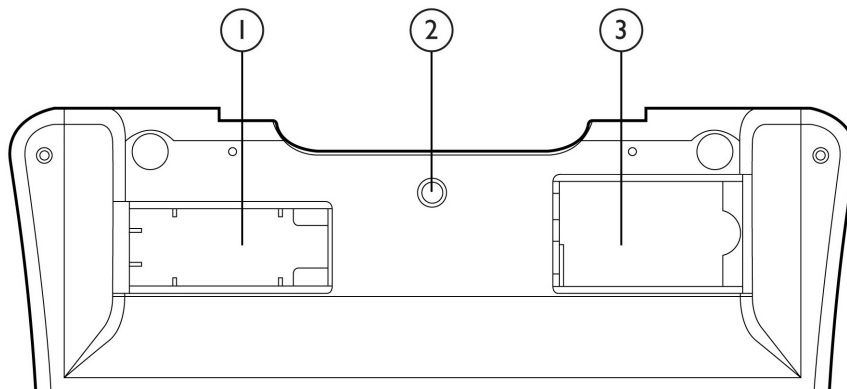


Overview



- | | |
|---|----------------------------------|
| 1. Stylus, right click/left click & hide/unhide wheel palette | 4. Tablet surface area |
| 2. Charging Indicator Light | 5. Tablet Toolbar short-cut keys |
| 3. Interactive software controls | 6. LCD Read-out Window |



- | | |
|--------------------------------|-----------------|
| 1. Dongle storage | 3. Battery port |
| 2. Connection Button to Dongle | |



Overview

Models

Part Number: BU865AA

Introduction

The HP Digital Sketch wireless tablet allows users to perform familiar mouse functions and utilize all the features and functionality of standard software applications from anywhere in a conference room, classroom, or large meeting space. The tablet is lightweight and compact; yet provides ample workspace for efficient desktop and program navigation and input. Through a seamless integration with the included HP software, the HP Digital Sketch offers a unique dual input feature so you can use the tablet and the HP Pocket Whiteboard together. While someone is annotating with the tablet, someone else at the board can simultaneously use full mouse-functionality to drag in images, edit strokes, or set up a shared meeting.

Key features and benefits

- Allows for synchronous input by two users—one on tablet, one on Interactive Whiteboard
 - Mobile nature promotes interaction between presenters and audience, teachers and students
 - Allows for synchronous input by two users—one on tablet, one on the HP Pocket Whiteboard (#QL796AA)
 - Long-range RF allows ease of mobility in large assembly spaces during group presentations
 - Shortcut keys provide easy access to the most frequently used Scrapbook tools
 - Integrated rechargeable Lithium polymer battery offers up to 25 hours of continuous cable free operation
-

Compatible Products

HP Compaq 4000 Pro SFF, HP Compaq 6000 Pro MT, HP Compaq 6000 Pro SFF, HP Compaq 6000 Pro AIO, HP Compaq 6005 Pro MT, HP Compaq 6005 Pro SFF, HP Compaq 6005 Pro USDT, HP Compaq 6200 Pro MT, HP Compaq 6200 Pro SFF, HP Compaq 8000 Elite SFF, HP Compaq 8000 Elite CMT, HP Compaq 8000 Elite USDT, HP Compaq 8000f Elite USDT, HP Compaq 8100 Elite SFF, HP Compaq 8100 Elite CMT, HP Compaq 8200 Elite SFF, HP Compaq 8200 Elite CMT, HP Compaq 8200 Elite MT, HP Compaq 8200 Elite USDT, HP TouchSmart 9300 Elite Business PC

Service and support

Your Option Limited Warranty is a one (1) year (HP Option Limited Warranty Period) parts replacement warranty on any HP-branded or Compaq-branded options (HP Options). If your HP Option is installed in an HP Hardware Product, HP may provide warranty service either for the HP Option Limited Warranty Period or the remaining Limited Warranty Period of the HP Hardware Product in which the HP Option is being installed, whichever period is the longer but not to exceed three (3) years from the date you purchased the HP Option.



Technical Specifications

Tablet Specifications	Solution	Wireless 2.4G RF
	Dimensions	10.9 × 11.1 × 0.8 in (278 x 282 x 20mm)
	Active area	7.8 × 5.9 in (19.9 × 15.0 cm)
	Weight	1.22 lbs (612g)
	Resolution	2000 lpi
	Report rate	120 rps
	Pen pressure	1024 levels
	Macro keys	16 (top of active area)
	Hot keys	Page up, page down, volume
	Volume control method	Circle Antenna
	LCD type	TN LCD
	LCD size	40.9x17.7mm
	LCD Icon content	1. Battery status – 4 levels & charged 2. RF connected status; Pen detection status; Pen writing status 3. Power on status 4. Device connected number 5. Volume control status(V+ & V-)
	Feature	multiple pairing (1-50)
	Battery type	Nokia BL5C Li-ion rechargeable battery
	Battery capacity	800mA
	Battery charging (Tablet)	USB Dongle (can be stored in tablet)
	Pen require	M3A-020 5V
	Power button	Electrical power button
	Power consumption	Max 50 mA (operation mode)
	Maximum Writing Height	5mm
	Maximum Reading Height	10mm
	EIRP for tablet and dongle	1. Frequency range: 2402~2479MHz 2. Channel Number: 78 3. Type of Modulation: Direct Sequence Spread Spectrum (DSSS) 4. EIRP Antenna Gain: -0.51dbi(Tablet) -3.67dbi (dongle)

Pen Specifications	Pen Button Functions	Left click, right click, double click Hide/Show Tool Palette
	Tip Travel	2 mm max.
	Tip Switch ON Load	Less than 38 g
	Battery	AAA ×1
	Compatible products	The stand will accommodate a VESA-compliant HP monitor up to 24" diagonal in size, and industry standard VESA-compliant monitors. Monitors sold separately.



Technical Specifications

Additional Hardware Specifications	Humidity	Operating	20% ~ 80% RH, 0~40 °C, During 4 hrs, 6 cycles
		Storage	20% ~ 95% RH (non-condensing), -20~50 °C, During 4 hrs, 6 cycles
	Shock (non-operating)		½ sine wave, 60 g, 11 ms duration, 6 faces, 3 shocks per face
	Vibration		Random Vibration: 50 ~ 500 Hz, 0.015 G ² / Hz, 2.16 Grms, 1 hr/axis, X, Y, Z axes
	Drop	Out of Box	75 cm, 6 faces, 1 time each face
		Tablet Overpack	96.5 cm, 1 corner, 3 edges, 6 faces, 3 times each face
	Life Test		MTBF>6000 hrs
	Agency Approvals		FCC & CE certified
	Product Safety Requirements and Approvals		UL Certification
	EMC Requirements		FCC Approval; Taiwan BSMI Approval; C.I.S.P.R. Requirements
Wireless certification		COFETEL; ANATEL; OCD Conformity; MTC Certificate	
CE Mark Requirements		EMC Emissions Compliance Requirements – EN 55022: 1998 (C.i.S.P.R. 22 – Class B at 10 meters)	
		Immunity Compliance Requirements – EN 55024, including:	
			<ul style="list-style-type: none"> ● IEC 61000-4-2: 1995 Electro static Discharge (8 kV contact, 15 kV air discharge) ● IEC 61000-4-3: 1995 RF fields (3V/m; 80 - 1000 MHz; 80% modulated at distance of three meters) ● IEC 61000-4-4: 1995 elec. Fast Transients (±2 kV on AC power port for one min ± 1kV on signal/control lines) ● IEC 61000-4-5: 1995 surge (± 1 kV line to line/± 2 kV line to earth on AC power port; ± 0.5 kV for outdoor cables) ● IEC 61000-4-6: 1996 Conducted RF (3V; 0.15 - 80 MHz; 80% modulated) ● IEC 61000-4-11: 1994 Voltage variations (95% dip, 0.5 period; 30% dip, 25 periods; > 95% reduction, 250 periods)
Kit contents		HP Digital Sketch tablet w/ User Guide Stylus pen w/ additional pen tips Pen tweezers Dongle receiver Tablet battery: Lithium Ion Pen battery: AAA Software CD USB cable (used to recharge tablet only)	



Technical Specifications

Software

Minimum System Requirements

- Windows-compatible computer with Pentium IV or equivalent with 512MB RAM
- Windows 7, Vista or XP
- 120 MB available hard drive space for standard Education software
- 65K color SVGA or comparable high performance video card
- CD-ROM drive or Internet connection (for software installation)
- Internet connection (for registering your software and participating in shared meetings)
- One available USB port
- Digital projector or display device attached to computer

Software Available

Choice of:

- Interact Software for Education
- Workspace Software for Business

NOTE: Both software applications cannot be installed at the same time and requires the user to uninstall previously installed software before loading new software.

Languages (Interact software)

The software and help files are localized in the following languages:

English- US
French
Italian
German
Spanish (Mexican & Spain but not international Spanish)
Japanese
Portuguese (Brazilian)
Dutch
Danish (Help files are only in English)

Languages (Workspace software)

English- US
French
Italian
German
Spanish (Mexican & Spain but not international Spanish)
Japanese

© 2011 Hewlett-Packard Development Company, L.P.

The information contained herein is subject to change without notice. The only warranties for HP products and services are set forth in the express warranty statements accompanying such products and services. Nothing herein should be construed as constituting an additional warranty. HP shall not be liable for technical or editorial errors or omissions contained herein.

