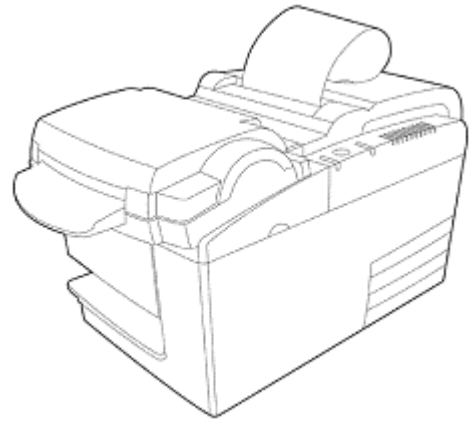
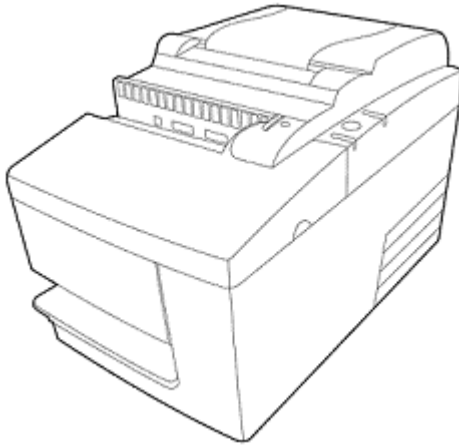


Overview



Models

HP Hybrid Thermal Printer with MICR

FK184AA

HP Hybrid Thermal Printer with MICR and Imaging Module

FK185AA

Introduction

The HP Hybrid Thermal Printer is a multifunctional printer with MICR (Magnetic Ink Character Recognition) for retail environments. Its compact size makes the HP Hybrid Printer one of the smallest on the market today - perfect for space-constrained locations.

The HP Hybrid Thermal Printer features a large 83 mm paper roll capacity and prints up to 59 lines per second, making it one of the fastest printers in its class, dramatically reducing wait times at the point of sale.

It is the ideal printing companion for the HP rp3000, rp5000 and rp5700 Point of Sale Systems and the HP Cash Drawer (Model No. EY026AA).

Key Benefits

- Two printers in one:
 - Two-color thermal printer on top for receipts
 - Impact slip printer on the bottom for inserted forms and checks
- Compact size with large paper roll capacity
- Prints up to 59 lines per second
- Selectable 44 or 56 columns of print on 80 mm wide thermal paper
- Connector for cash drawer
- No separate power cable; connects to powered USB connection on POS system
- Clamshell™ drop-in paper loading system
- Imaging Module Solution
- Built in Magnetic Ink Character Recognition for check reading and validating
- Scans both sides of check or ID in a single feed
- Create image files for Check 21 processing and printing (with Imaging Module only)

Overview

Compatibility

The HP Hybrid Thermal Printer is compatible with HP rp3000, rp5000 and rp5700 Point of Sale Systems.

NOTE: Not all models are available in all regions.

Service and Support

Your HP branded Peripheral Limited Warranty is a three (3) year (HP Option Limited Warranty Period) parts replacement warranty.

Technical Specifications

General	Character Sets	Page 437, 737, 850, 852, 857, 858 (with Eurosymbol), 860, 862, 863, 865, 866, and 1252. Contact your TPG representative for expanded character sets.	
	Bar Codes	UPC-A, UPC-E, Code 39, Code 93, Code 128, JAN8 and JAN13 (EAN), Interleaved 2 of 5, Codabar, PDF 417 (receipt station only)	
	Printing Speed	Monochrome 59.2 LPS (200 mm/s) Two-color 27 LPS (100 mm/s)	
	Auto Cutter	Partial Cut	
	Emulations Available	Application compatible escape commands, TPG A756/A758, ColorPOS	
	Data Buffer	8k	
	User memory	2MB; shared for graphics, logos, user defined characters and user data storage	
	Print Method	Receipt Station (Direct Thermal, 203 DPI); Slip Station (9-Pin Impact)	
	Character Cell Size	Receipt Station (13 X 24, 10 X 24); Slip Station (7 X 7, 12 X 7, 5 X 9)	
	CPI	Receipt Station (15, 6, 20.3); Slip Station (13.9 & 16.8)	
	Print Columns	Receipt Station (44 & 56); Slip Station: (42 & 51)	
	Print Line Width	Receipt Station (2.8 in. (72 mm) ; Slip Station (3.02 in. (76.8 mm))	
	Paper Type	Direct Thermal, POS Grade(s), special paper for color printing	
	Paper Roll (W x D)	3.15 in. X 3.27 in. (80 mm X 83 mm)	
	Control Language	Application Compatible Escape Commands	
	Mechanical	Dimensions (WxDxH)	Without Imaging Module: 6.5 in. X 11.4 in. X 6.6 in. (165.10 mm X 289.56 mm X 167.64 mm) With Imaging Module: 6.5 in. X 13.25 in. X 6.65 in. (165.10 mm X 336.55 mm X 168.91 mm)
		Weight	Approximately 8 lbs
Interface/Connection	Interface	24V Powered USB	
	Power	Voltage (typical) 24V DC	
	Current consumption (typical)	1.7A (printing a typical receipt) 1.4A (printing a typical slip) 1.0A (scanning) 320mA (idle)	
Drivers	Windows native, OPOS, JPOS		
Operating Systems	Genuine Windows Vista® Business 32*		
	Genuine Windows XP Professional		
	Genuine Windows Embedded for Point of Service (WEPOS)		
Reliability	200 km paper/59 million lines/1.5 million autocuts		
Agency Certifications	EMI: ICES-003, VCCI: Class B (Class A for Imaging Module); FCC Class B (Class A for Imaging Module), WHQL, RoHS, WEEE		

* Certain Windows Vista product features require advanced or additional hardware. Windows Vista Upgrade Advisor can help you determine which features of Windows Vista will run on your computer. To download the tool, visit: <http://www.windowsvista.com/upgradeadvisor>. For Windows Vista system requirements, visit: <http://www.windowsvista.com/systemrequirements>

Technical Specifications

Option kit contents HP USB Printer, Starter paper roll, Powered USB cable or Y-Cable for imaging module solution, Point of Sale System Software and Documentation CD and the Options Warranty Manual

Single or Multiple Forms

The HP Hybrid Thermal Printer prints on single- or multiple-part forms in the slip station (up to four-part forms). Forms and slips must meet the following requirements:

Front insertion (minimum) 51 mm (2.00") wide
68 mm (2.68") long

Side insertion (minimum) 51 mm (2.0") wide
203 mm (8.0") long

Single-ply forms should be on paper that is greater than 15 pounds

Multiple-part forms (up to four parts) should be no thicker than 0.40 mm (0.014") and a minimum thickness of 0.08 mm (0.003")

NOTE: Do not use forms containing holes along the top or right edge.

Forms for use with flip check (minimum) 63.5 mm (2.5") wide
152 mm (6.00") long

Checks

Check specifications for paper are defined by American Standards ANSI X9.13 and ANSI X9.18, and International Standard ISO 1004.

Minimum check size 70 mm (2.75") wide x 152 mm(6.00") long

Maximum check size 95 mm (3.75") wide x 222 mm(8.75") long

MICR Reader

Character sets/fonts fonts E-13B and CMC-7, auto discriminate (Integrated in slip station)

Check Read Rate 99% minimum

Parsing Formats E-13B only. Programmable to any format

Imaging Module

Type CIS (contact image scanner)

Resolution 203 dpi

Single-pass scanning Two-sided

Mode 256 level grayscale, black and white

Speed 7.5 in/sec; 5.5 in/sec for cards
190 mm/sec; 140 mm/sec for cards

Data transmission format CCITT Group 4, TIFF, Raw

Memory for scanning 8 MB RAM

Scanning area Width max 4 in/100 mm
Length max 11.25 in/285 mm

Technical Specifications

© Copyright 2008 Hewlett-Packard Development Company, L.P.

The information contained herein is subject to change without notice. The only warranties for HP products and services are set forth in the express warranty statements accompanying such products and services. Nothing herein should be construed as constituting an additional warranty. HP shall not be liable for technical or editorial errors or omissions contained herein.

Windows Vista is a US registered trademark of Microsoft Corporation.