

## Product Highlights

### Compact Size and Easy Deployment

Ultra small size and wireless N or PoE options allow for easy deployment in hard-to-reach places or areas where discrete surveillance is needed.

### HD Image Quality and Detail

High-resolution 1 megapixel sensor provides a 1280 x 800 resolution image to monitor a large area with excellent detail

### mydlink-enabled Cloud Access

Easy remote viewing and management of your camera on your mobile device or through the mydlink website



## DCS-6004L: PoE DCS-6005L: Wireless N

# HD Mini Dome Network Camera

## Features

### Camera

- 1/4" 1 megapixel CMOS progressive sensor
- 10x Digital zoom and 5m IR illumination
- Built-in microphone and audio out for 2-way communication
- ONVIF compliant

### Connections

- 802.11n wireless connectivity (DCS-6005L)
- 10/100 Power over Ethernet port (DCS-6004L)
- Micro SD/SDHC Card slot for onboard storage

### Image & Video

- High resolution (1280x800 max)
- H.264, MPEG-4 and Motion JPEG compression
- ePTZ viewing
- Simultaneous multi-stream support
- Supports multiple access lists
- Built-in Samba client for saving to a server

The DCS-6004L/DCS-6005L HD Mini Dome Network Camera is a mydlink-enabled IP surveillance camera built with a ultra small form factor and features either Power over Ethernet (DCS-6004L) or wireless N (DCS-6005L) connectivity, making it ideal for monitoring areas that are hard to reach or require discrete surveillance.

## Built for Versatility

The DCS-6004L/DCS-6005L comes with a wealth of features that enhance its surveillance capabilities, making it ideal for any situation. The ultra small form factor allows you to mount the camera in areas that need to be monitored without the camera being an eyesore. The DCS-6004L is perfect for deployment into areas that lack power with its PoE feature. Meanwhile, the DCS-6005L comes with built-in wireless N capability, making it ideal for deployment into areas that are not directly connected to your existing wired network. A built-in microphone and audio out allow for 2-way communication during an event.

## Peace Of Mind With 24/7 Monitoring of Any Environment

The DCS-6004L/DCS-6005L is a standalone surveillance camera that requires no special hardware or software, and can run independently even without a PC. Send e-mail notifications with snapshots or video clips whenever motion or sound is detected using just the DCS-6004L/DCS-6005L and an internet connection. You can customize areas of the video to monitor for motion to keep watch over entryways, and you can set volume limits to detect when a loud sound is picked up by the camera. Night time monitoring is possible with the built-in infrared LEDs which allow for nighttime viewing of up to 16 feet (5 meters), enabling round-the-clock monitoring of a home or small office.

### Instant Anywhere Access with mydlink Cloud Service

The HD Mini Dome Network Camera is mydlink-enabled, which means that you can access and configure your camera remotely, no matter where you are. With a mydlink service enabled camera, see your camera's live view through the mydlink website, or download the mydlink mobile app and view your camera directly on your smartphone or tablet. Keep an eye on your home while you're at work, or check on the office when you're out on the road; mydlink makes it all possible.

### A Complete, Expandable Surveillance Solution

The DCS-6004L/DCS-6005L is a self-sufficient surveillance solution, capable of recording snapshots and video to a MicroSD card without requiring a PC or network storage device.

If you want to expand your surveillance options, D-ViewCam management software is also included, giving you the ability to manage up to 32 cameras with a robust set of features, including multi-camera views and automated e-mail alerts to keep you informed of suspicious or unusual activities.

## Technical Specifications

### Camera

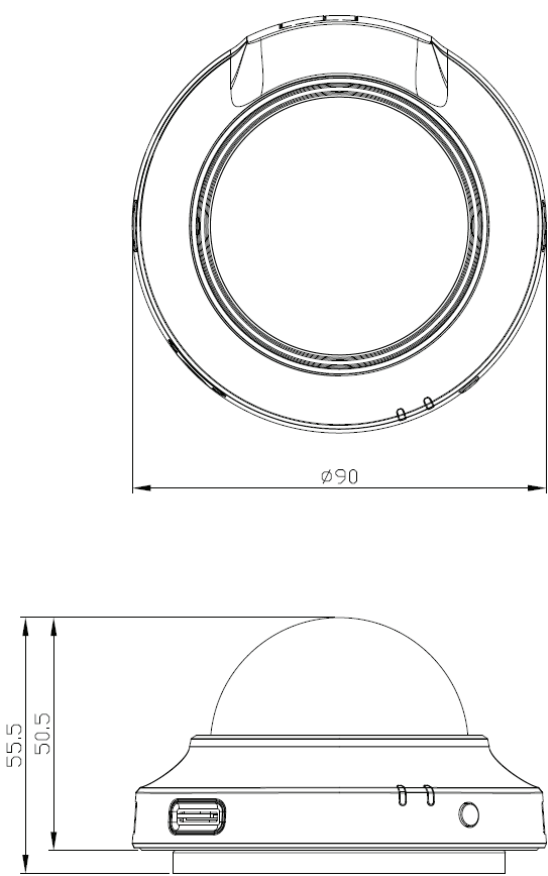
Camera Hardware Profile	<ul style="list-style-type: none"> <li>• 1/4" 1 megapixel progressive CMOS sensor</li> <li>• Minimum illumination: 0 lux (with IR LED on)</li> <li>• Built-in microphone and audio out</li> <li>• 10x digital zoom</li> <li>• Fixed length: 2.8 mm</li> <li>• Aperture: F1.8</li> </ul>	<ul style="list-style-type: none"> <li>• Angle of view: <ul style="list-style-type: none"> <li>• (H) 75.2°</li> <li>• (V) 48.2°</li> <li>• (D) 89.3°</li> </ul> </li> <li>• Minimum object distance: 500 mm</li> </ul>
Image Features	<ul style="list-style-type: none"> <li>• Configurable image size, quality, frame rate, and bit rate</li> <li>• Time stamp and text overlays</li> <li>• Configurable privacy masks zones</li> </ul>	<ul style="list-style-type: none"> <li>• Configurable brightness, saturation, contrast, and sharpness</li> <li>• Configurable motion detection windows</li> </ul>
Video Compression	<ul style="list-style-type: none"> <li>• Simultaneous H.264/MPEG-4/MJPEG format compression</li> <li>• H.264/MPEG-4 multicast streaming</li> </ul>	<ul style="list-style-type: none"> <li>• JPEG for still images</li> </ul>
Video Resolution	<ul style="list-style-type: none"> <li>• 16:9 -1280 x 800, 1280 x 720, 800 x 450, 640 x 360, 480 x 270, 320 x 176 up to 30 fps recording<sup>1</sup></li> </ul>	<ul style="list-style-type: none"> <li>• 4:3 -1024 x 768, 800 x 600, 640 x 480, 480 x 360, 320 x 240 up to 30 fps recording<sup>1</sup></li> </ul>
Audio Support	<ul style="list-style-type: none"> <li>• G.711: 64 kbps</li> </ul>	<ul style="list-style-type: none"> <li>• AAC: 64 kbps</li> </ul>
External Device Interfaces	<ul style="list-style-type: none"> <li>• 10/100 BASE-TX Fast Ethernet port</li> <li>• 802.11n wireless (DCS-6005L only)</li> </ul>	<ul style="list-style-type: none"> <li>• microSD/SDHC card slot<sup>2</sup></li> </ul>

### Network



Network Protocols	<ul style="list-style-type: none"> <li>• IPv6</li> <li>• IPv4</li> <li>• TCP/IP</li> <li>• UDP</li> <li>• ICMP</li> <li>• DHCP client</li> <li>• NTP client (D-Link)</li> <li>• DNS client</li> <li>• DDNS client (D-Link)</li> <li>• SMTP client</li> <li>• FTP client</li> </ul>	<ul style="list-style-type: none"> <li>• HTTP / HTTPS</li> <li>• Samba client</li> <li>• PPPoE</li> <li>• UPnP port forwarding</li> <li>• RTP / RTSP/ RTCP</li> <li>• IP filtering</li> <li>• QoS</li> <li>• CoS</li> <li>• Multicast</li> <li>• IGMP</li> <li>• ONVIF compliant</li> </ul>
Security	<ul style="list-style-type: none"> <li>• Administrator and user group protection</li> <li>• Password authentication</li> </ul>	<ul style="list-style-type: none"> <li>• HTTP and RTSP authentication</li> </ul>

### System Management

System Requirements for Web Interface	<ul style="list-style-type: none"> <li>• Browsers: Internet Explorer, Firefox, Chrome</li> </ul>	
Event Management	<ul style="list-style-type: none"> <li>• Motion/Sound detection</li> <li>• Event notification and uploading of snapshots &amp; video clips via e-mail or FTP</li> </ul>	<ul style="list-style-type: none"> <li>• Supports multiple SMTP and FTP servers</li> <li>• Multiple event notifications</li> <li>• Multiple recording methods for easy backup</li> </ul>
Remote Management	<ul style="list-style-type: none"> <li>• Take snapshots/video clips and save to local hard drive via web browser</li> </ul>	<ul style="list-style-type: none"> <li>• Configuration interface accessible via web browser</li> </ul>

Mobile Support	<ul style="list-style-type: none"> <li>• mydlink Lite/mydlink+ mobile app for iPhone™, iPad™, and Android™ mobile devices</li> </ul>	
D-ViewCam™ System Requirements	<ul style="list-style-type: none"> <li>• Operating System: Microsoft Windows 8 / 7 / Vista / XP</li> <li>• Web browser: Internet Explorer 7 or higher</li> </ul>	<ul style="list-style-type: none"> <li>• Protocol: Standard TCP/IP</li> </ul>
D-ViewCam™ Software Functions	<ul style="list-style-type: none"> <li>• Remote management/control of up to 32 cameras</li> <li>• Viewing of up to 32 cameras on one screen</li> </ul>	<ul style="list-style-type: none"> <li>• Supports all management functions in web interface</li> <li>• Scheduled motion triggered, or manual recording options</li> </ul>
<b>Physical</b>		
Weight	DCS-6004L: <ul style="list-style-type: none"> <li>• Device: 130g (4.58 ounces) Without Stand</li> </ul>	DCS-6005L: <ul style="list-style-type: none"> <li>• Device: 135g (4.76 ounces) Without Stand</li> </ul>
External Power Adapter	<ul style="list-style-type: none"> <li>• Input: 100 to 240 V AC, 50/60 Hz</li> </ul>	<ul style="list-style-type: none"> <li>• Output: 5 V DC, 1.2 A</li> </ul>
Power Consumption	DCS-6004L <ul style="list-style-type: none"> <li>• 3.5 W</li> </ul>	DCS-6005L <ul style="list-style-type: none"> <li>• 2.8 W</li> </ul>
Temperature	<ul style="list-style-type: none"> <li>• Operating: 0 to 40 °C (32 to 104 °F)</li> </ul>	<ul style="list-style-type: none"> <li>• Storage: -20 to 70 °C (-4 to 158 °F)</li> </ul>
Humidity	<ul style="list-style-type: none"> <li>• Operating: 20% to 80% non-condensing</li> </ul>	<ul style="list-style-type: none"> <li>• Storage: 5% to 95% non-condensing</li> </ul>
Certifications	<ul style="list-style-type: none"> <li>• CE</li> <li>• CE LVD</li> </ul>	<ul style="list-style-type: none"> <li>• FCC Class B</li> <li>• C-Tick</li> </ul>
Dimensions		

# DCS-6004L/DCS-6005L HD Mini Dome Network Camera

Order Information	
<i>Part Number</i>	<i>Description</i>
DCS-6004L	HD PoE Mini Dome Network Camera
DCS-6005L	HD Wireless Mini Dome Network Camera
Optional Accessories	
	Black Exterior Casing
	White Exterior Casing

<sup>1</sup> Frame rates when streaming video may vary depending on network conditions and method used.

<sup>2</sup> A SDHC Class 6 card or above is recommended. Supports card capacities up to 32GB.

Updated 2013/11/27