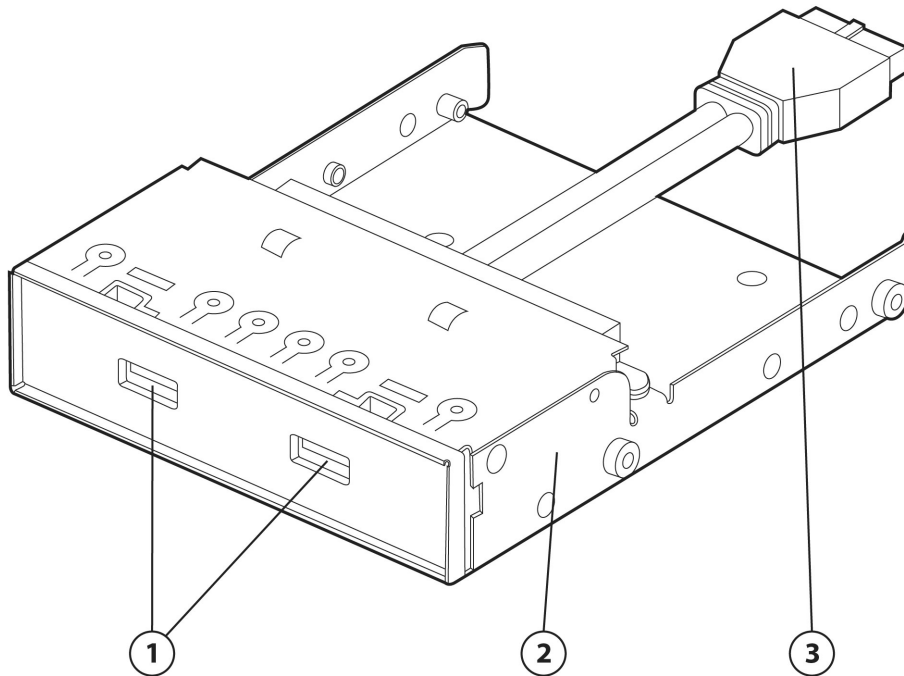


Overview



1. (2) Front-facing USB 3.0 ports
2. 3.5" case (5.25" support with additional adapter)
3. 20-pin connector cable (for internal connection to HP USB 3.0 2x2 Port SuperSpeed PCIe x1 Card)

Models

HP Front Dual USB3 Port Device

D2V10AA

Introduction

Boost your productivity by conveniently and affordably adding two USB 3.0 ports to your desktop PC with the HP Front Dual USB3 Port Device, which adapts the HP USB 3.0 2x2 Port SuperSpeed PCIe x1 Card to make the ports available at the front of your PC.

NOTE: Your desktop PC must have a HP USB 3.0 2x2 Port SuperSpeed PCIe x1 Card installed to use this device. PC must also have an available front 3.5-inch desktop bay (5.25" adapter included for 5.25" bays).

Key Benefits

- Enjoy faster data transfer speeds to and from your USB devices with USB 3.0 technology.
- 3.5-inch adapter fits easily into any available front 3.5-inch desktop bay (5.25" adapter included for 5.25" bays).
- Affordable, convenient alternative to using an external USB hub.
- Use legacy and evolving devices with USB technology that is backward compatible to USB 2.0.
- Get peace of mind with a limited HP standard warranty.

Overview

HP Business Desktop PC Compatibility

The HP Front Dual USB3 Port Device is compatible with many HP Desktop PCs with the HP USB 3.0 2x2 Port SuperSpeed PCIe x1 Card already installed, including HP Compaq Pro 4300 SFF; HP Compaq 6300 Pro MT, SFF; HP Compaq Elite 8300 CMT, MT, USDT; HP Compaq 6305 Pro MT, SFF; HP Pro 3330MT; HP Pro 3335 MT; HP Pro 3340 MT; HP Pro 3400 MT; HP Pro 3500 MT.

NOTE: Not all models are available in all regions.

NOTE: 8300 SFF not compatible if it has Smart Response Technology (SSD caching) installed.

NOTE: Your desktop PC must have a HP USB 3.0 2x2 Port SuperSpeed PCIe x1 Card installed to use this device. PC must also have an available front 3.5-inch desktop bay (5.25" adapter included for 5.25" bays).

Service and Support

The HP Front Dual USB3 Port Device has either a one-year limited warranty or the remainder of the warranty of the HP product in which it is installed. Technical support is available seven days a week, 24 hours a day, by phone, as well as online support forums. Certain restrictions and exclusions apply.

Technical Specifications

Dimensions (W x D x H)	Unpackaged	107.2 x 25.4 x 124.49 mm (excluding connector cable) 4.22 x 1 x 4.9 in
	Packaged	190.5 x 241.3 x 57.15 mm 7.5 x 9.5 x 2.25 in
Weight	Unpackaged	6.25 oz (177.25 g)
Inputs	(2) USB 3.0 (backwards compatible with most standard USB 2.0 devices)	
Connector	Connects via and internal 2 x10 (20-pin) to a USB 3.0 header	
Drive bay compatibility	Fits a 3.5" drive bay by default (the drive also fits into a 5.25" bay by adding the included bracket, rails and bezel). <ul style="list-style-type: none">• For CMT Tower, supports 3rd lowest 5.25" bay (usually occupied by Media Card Reader)• For MT, supports 3.5" bay (usually occupied by Media Card Reader)• For SFF, supports 3.5" bay (usually occupied by Media Card Reader)	
Color	Black	
Operating systems supported	Windows 8, Windows 8 Pro, Windows 7 (32-bit and 64-bit), Windows Vista, Windows XP Professional (32-bit and 64-bit)	
Agency approvals and certifications	UL 60950-1, 2 nd Edition, 2007, CSA C22.2, No. 60950-1-07, 2nd Edition, 2007, GS Mark EN 60950-1: 2006+A11+A1+A12	
Kit contents	HP Front Dual USB3 Port Device, Mounting Kit, 5.25" bracket/rails/bezel, Install Guide, Documentation	

© Copyright 2012, 2013 Hewlett-Packard Development Company, L.P. The information contained herein is subject to change without notice.

Microsoft, Windows, and Windows Vista are either trademarks or registered trademarks of Microsoft Corporation in the United States and/or other countries.

The only warranties for HP products and services are set forth in the express warranty statements accompanying such products and services. Nothing herein should be construed as constituting an additional warranty. HP shall not be liable for technical or editorial errors or omissions contained herein.