

DIGITAL
PROJECTOR

MW621ST

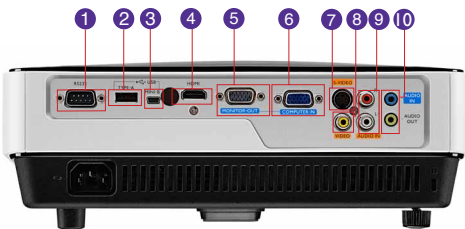


Features

- Native WXGA (1280x800) Resolution
- 3,000 ANSI Lumens; 13,000:1 Contrast Ratio
- Wireless Display / USB Reader & Display
- Up to 10,000 Hours Long Lamp Life
- SmartEco™ Power Saving Technology
- 3D PC & Blu-Ray Ready
- 10W Speaker



Input and Output Terminals



- | | |
|-----------------------------|-----------------------------|
| 1 RS232 (DB-9pin) | 6 Computer in (D-sub 15pin) |
| 2 USB (Type A) | 7 S-Video (Mini DIN 4-pin) |
| 3 USB (Type Mini-B) | 8 Composite Video in |
| 4 HDMI | 9 Audio in L/R (RCA) |
| 5 Monitor Out (D-sub 15pin) | 10 Audio In/Out (Mini Jack) |

Specifications

Projection System	DLP®
Native Resolution	WXGA (1280x800)
Brightness	3,000AL
Contrast Ratio	13,000:1
Display Color	1.07 Billion Colors
Lens	F=2.6-2.78, f=10.2-12.24mm
Aspect Ratio	Native 16:10 (5 aspect ratio selectable)
Throw Ratio	0.72~0.87 (64"±3% @ 1m)
Image Size Diagonal	30"~300"
Zoom Ratio	1.2:1
Lamp Type	190W
Lamp(Normal/Economic/Smart-Eco/ LampSave)*	4500/6000/6500/10000 hours
Keystone Adjustment	1D, Vertical +/- 40 degrees
Projection Offset	100%±5%
Resolution Support	VGA(640 x 480) to UXGA(1600 x 1200)
Horizontal Frequency	15~102KHz
Vertical Scan Rate	23~120Hz
Compatibility	HDTV Compatibility: 480i, 480p, 576i, 576p, 720p, 1080i, 1080p Video Compatibility: NTSC, PAL, SECAM
Interface	Computer in (D-sub 15pin) x 1 (Share with component) Monitor out (D-sub 15pin) x 1 Composite Video in (RCA) x 1 S-Video in (Mini DIN 4pin) x 1 HDMI x1 Audio in (Mini Jack) x 1 Audio out (Mini Jack) x 1 Audio L/R in (RCA) x 1 Speaker 10W x 1 USB (Type A) x 1 (Download & page/down) USB (Type Mini-B) x 1 RS232 (DB-9pin) x 1 IR Receiver x2 (Front+Rear)
Dimensions (WxHxD)	11.3" x 4.5" x 9.15" (w/ feet)
Weight	5.06lbs (2.6kg)
Power Supply	AC100 to 240 V, 50 to 60 Hz
Power Consumption	247W(typical), 206W (Eco), Standby<0.5W
Audible Noise	33/28 dBA (Normal/Economic mode)
On-Screen Display Languages	Arabic/Bulgarian/ Croatian/ Czech/ Danish/ Dutch/ English/ Finnish/ French/ German/ Greek/ Hindi/ Hungarian/ Italian/ Indonesian/ Japanese/ Korean/ Norwegian/ Polish/ Portuguese/ Romanian/ Russian/ Simplified Chinese/Spanish/ Swedish/ Turkish/ Thai/ Traditional Chinese (28 Languages)
Picture Mode	Dynamic/Presentation/sRGB/Cinema/User 1/User 2
Accessories (Standard)	Lens Cover, Remote Control w/ Battery, Power Cord, User Manual CD, Quick Start Guide, Warranty Card, VGA (D-sub 15 pin) Cable
Accessories (Optional)	Spare Lamp Kit P/N: 5J.JAR05.001 Ceiling Mount P/N: 5J.J4N10.001 3D Glasses P/N: 5J.J7K25.001 Carry Bag P/N: 5J.J4R09.001
UPC Code / Part #	8400460-2951-7 / 9H.JAR77.13A
Limited Warranty	1 Year Parts & Labor / 180 Days or 500 Hours of Lamp Life

*Lamp life results will vary depending on environmental conditions and usage. Actual product's features and specifications are subject to change without notice.

HDMI
HIGH DEFINITION MULTIMEDIA INTERFACE

NEW 3D

SmartEco

10,000 hours lamp life

MW621ST 11-01-13-BQus



BenQ America Corp.
www.BenQ.us

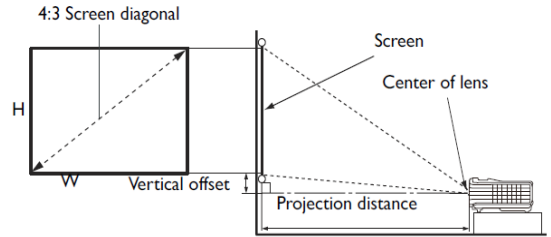
BenQ is a registered trademark of BenQ Corp. DLP is a registered trademark of Texas Instruments. All rights reserved. Product names, logos, brands, and other trademarks featured or referred to in this materials are the property of their respective trademark holders. Specifications subject to change without notice.

BenQ

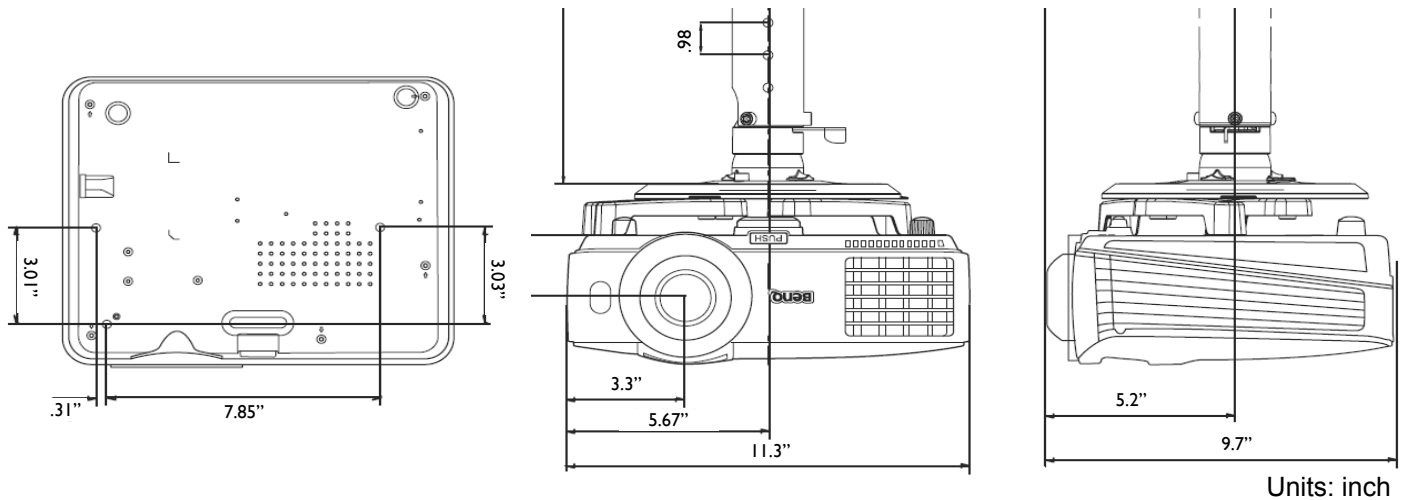
MW621ST Digital Projector

Distance Chart

Screen Size				Distance from screen (inch)			Vertical offset (inch)
Diagonal		W (inch)	H (inch)	Min length Max zoom	Average	Min length Max zoom	
Inch	mm						
30	762	25	16	18.4	20.3	22.1	.39
40	1016	34	21	24.6	27.0	29.5	.51
50	1270	42	26	30.7	33.8	36.9	.66
60	1524	50	32	36.9	40.5	44.2	.78
70	1778	59	37	43.0	47.3	51.6	.94
80	2032	67	42	49.2	54.1	59.0	1.06
90	2286	76	47	55.3	60.9	66.4	1.18
100	2540	84	53	61.5	67.6	73.8	1.33
110	2794	93	58	67.6	74.4	81.2	1.45
120	3048	101	63	73.8	81.2	88.5	1.57
130	3302	110	68	79.9	87.9	95.9	1.73
140	3556	118	74	86.1	94.7	103.3	1.85
150	3810	127	79	92.2	101.4	110.7	1.96
160	4064	135	84	98.4	108.2	118.1	2.12
170	4318	144	90	104.5	115.0	125.5	2.24
180	4572	152	95	110.7	121.8	132.8	2.40
190	4826	161	100	116.8	128.5	140.2	2.52
200	5080	169	105	123.0	135.3	147.6	2.63
250	6350	212	132	153.7	169.1	184.5	3.30
300	7620	254	159	184.5	202.9	221.4	3.97



Ceiling Mount Chart



Dimensions

